



SUPPLEMENT INSTRUCTIONS

DSP*VK

VERTICAL KIT TO T-CPA

The DSP Vertical Kit (VK) is intended to be installed with Selkirk Chimney System (SCS) Model UT, GT and ST. Figure 1A shows all separate components required for this application.

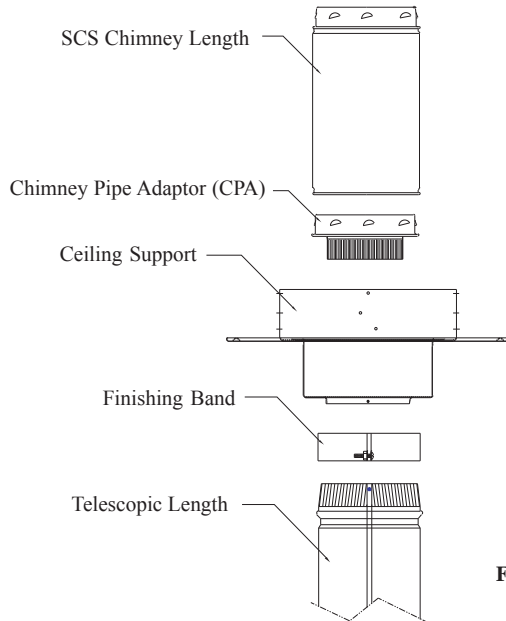


Figure 1

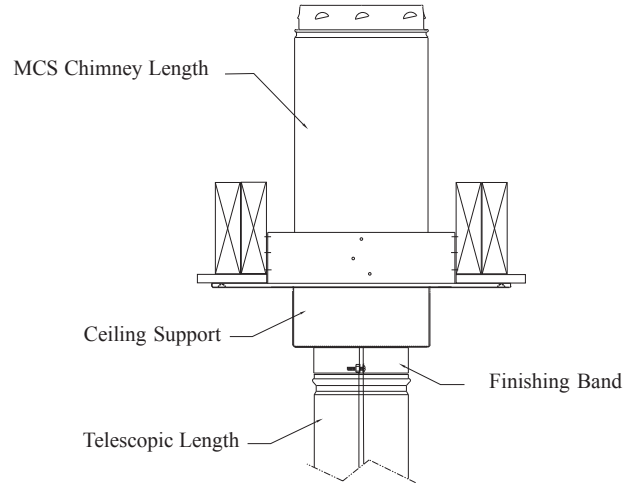


Figure 3

Step 1. Once the Selkirk Chimney System has been installed within the Finish or Ceiling Support (refer to separate SCS Instruction Sheets GS, S1 and S2), position the Telescopic Length over the Chimney Pipe Adaptor (CPA), snug against the Ceiling Support (see Figure 2 and 2A).

Step 2. Wrap the Finishing Band (1-5/8" wide) over the crimped end of the DSP Telescopic Length (see Figure 3). Ensure it is snug to the bottom of the Finish or Ceiling Support as per Figure 2A. Fasten the Finishing Band with supplied nut and bolt (see Figure 3).

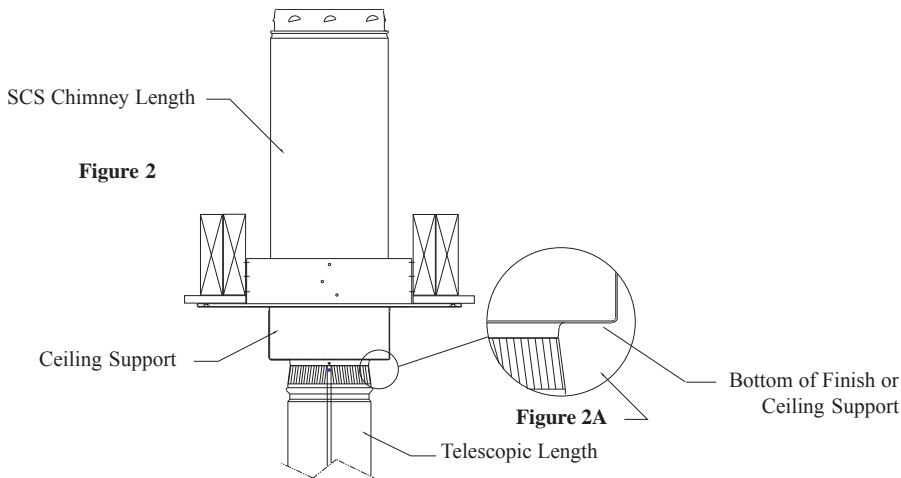


Figure 2

Figure 2A

SELKIRK CORPORATION
 5030 Corporate Exchange Blvd.
 Grand Rapids, MI 49512
 Toll Free 1.800.443.6341
 info@selkirkcorp.com

SELKIRK®
 WWW.SELKIRKCORP.COM

SELKIRK CANADA
 P.O. Box 526, Depot 1,
 Hamilton, On, L8L 7X6
 Toll Free 1.888.SELKIRK ((735.5475)
 info@selkirkcanada.com