

# Model G

Single Wall  
Venting Systems  
Special Gas Vent  
Applications



Selkirk Model G is a single wall modular, prefabricated venting system featuring quick assembly, pressure-sealing capabilities and temperature ratings up to 550 °F for Special Gas Vent applications, with low clearance to combustibles.



Tested and listed to  
UL1738/ULC-S636

## APPLICATIONS

- Boilers
- Water Heaters
- Furnaces





## System Overview

---

Selkirk Model G is a modular, prefabricated venting system which embody flanged joints designed for both quick assembly and pressure-sealing capabilities. They offer structural accessories needed for support attachment to building structures.

Standard gas-carrying venting parts are usable for category II & IV Boiler, Water Heater, and Furnace applications.

### Features and Benefits

- Factory-built for high quality, durability and long life
- Stainless steel single wall construction
- Safety tested and listed to multiple UL standards, signifying compliance with U.S. and Canadian codes
- 5" to 48" diameters (ID) to fit the wide range of commercial applications and customer specifications
- Array of components and accessories designed to make a complete installation simple and quick
- Selkirk 5-year limited warranty for Special Gas Vent applications

### Complete Line of Fittings

Model G are available in eighteen sizes, from 5" I.D. to 48" I.D. Fittings include various elbows, tees, supports and terminations, as well as a variety of accessory fittings designed to make installation simple and quick.

Each component is shipped complete and ready for installation. Each ordered part includes Inner Vee Bands, and all the necessary hardware.

All items included with each order are listed in this catalog under the part description.



## Exceeding the Requirements

Selkirk, inventors of the positive pressure system concept, far exceeds the requirements of codes and other manufacturers. Results of our testing programs illustrate this fact.

### Leak Tests

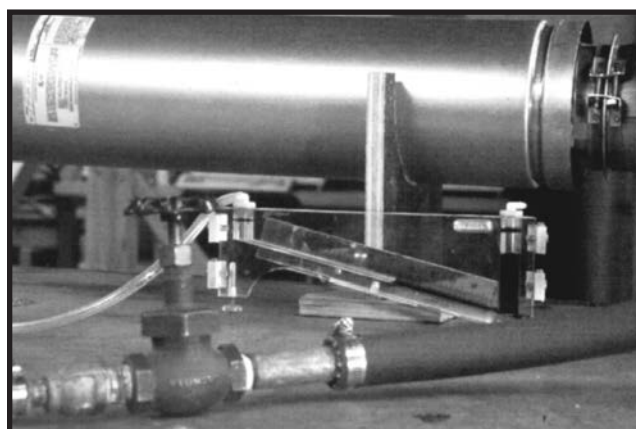
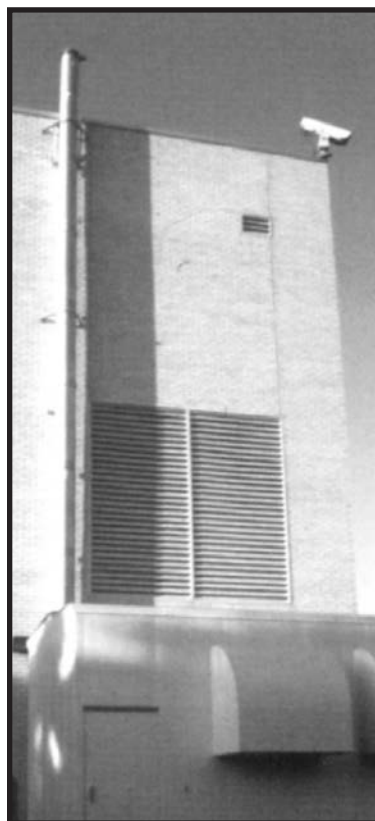
Selkirk conducted system pressure testing (to 15" w.c.) against leakage in the presence of UL inspectors. Results of these tests are impressive. Using the OSHA occupation standard-of-leakage rate of 50 parts per million over an eight hour period as criterion for acceptance, the Selkirk system was tested to a leakage rate of only .144 parts per million, or three-tenths of one percent (.3%) of the maximum allowable leakage per UL.

### Seismic Tests

We further demonstrated the superiority of the Model G concept by conducting seismic load tests. These tests proved the structural integrity of our products under severe stress by showing that a guyed stack measuring 20 inches in diameter and exceeding 10 feet above the guying location (installed in strict accordance with the UL103 Listing) could withstand the rigors of all seismic zones.

### Structural Tests

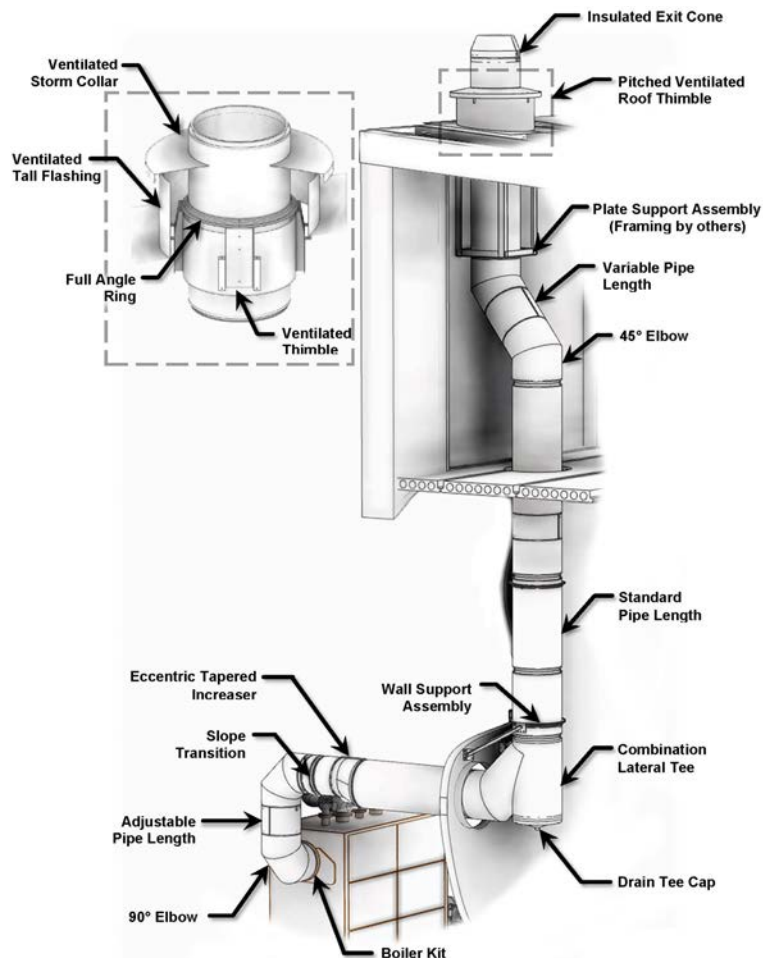
Selkirk recently tested for greater freestanding limits (termination height above a guide point). These tests, simulating stack performance under 110 mph wind conditions, again demonstrated the superiority of Selkirk products.



This page illustrates some of the major parts described on pages 8-16.

Product	Code	page	Product	Code	page	Product	Code	page
<b>Joint Assembly Parts</b>			<b>Single Wall Fittings (cont)</b>			<b>Support/Guide Accessories</b>		
Overlapping Vee Band	VB	8	30° Elbow	EL30	12	Wall Support Assembly	WA	14
Alignment Sleeve	AS	8	45° Elbow	EL45	12	Wall Guide Assembly	WG	14
Special Gas Vent Sealant	SGV550	8	90° Elbow	EL90	12	Half Angle Ring	HR	15
<b>Singal Wall Pipe</b>			Drain Tee Cap	TC	13	Full Angle Ring	FR	15
59.13" Pipe Length	59	10	Clean Out Tee Cap	TCN	13	Plate Support Assembly	PA	15
42" Pipe Length	42	10	15° Elbow	EL15	13	Support Strap	SS	15
30" Pipe Length	30	10	Tapered In increaser	OT	13	<b>Roof Penetrations/Terminations</b>		
18" Pipe Length	18	10	Step In creaser	OS	13	Ventilated Thimble	THB	15
<b>Adjustable/Variable Pipe</b>			Drain Section	DS	13	Ventilated Storm Collar	VSC	15
30" Adjustable Pipe	AG30	10	Eccentric In creaser	EOT	13	Ventilated Thimble Assembly	MVT	15
18" Adjustable Pipe	AG18	10	Slope Transition	ST	13	Storm Collar	SC	16
30" Variable Pipe	VL30	10	<b>Connection Accessories</b>			Tall Flashing	TF	16
18" Variable Pipe	VL18	10	Seal Ring	SR	14	Pitched Tall Flashing	PTF	16
<b>Single Wall Fittings</b>			Flanged Hood Transition	TS	14	Rain Cap	CCA_RC	16
90° Tee	MT	11	Unflanged Hood Transition	TSU	14	Stack Cap	SK	16
45° Tee - Lateral	JL	11	Fan Adapter	FA	14	Exit Cone	EC	16
90° Wye	JY	11						

Note: For details on parts usage, refer to the Selkirk installation instructions.





### Understanding Product Codes and Part Numbers (Example: 6G316-AG30)

All parts manufactured by Selkirk are identified by a series of numbers and letters which describe their makeup and function.

Here is how to interpret the Part Number designation for Model G products.

1. It begins with the pipe or fitting's internal diameter (in inches) such as 8, 22, 36, etc.
2. This is followed by the Model designation, G.
3. Next, is the product's Material designation, 316.
4. Then, following a dash, the product Code name is listed, such as AG30, JY, or MVT.

(For Product Code listings, refer to page 6.)

Thus, the Ordered Part Number for a 30-inch Adjustable Pipe, with a 6-inch I.D., made of 316 Stainless Steel inner is listed:

**6G316- AG30**

---

\* Note: For products with reduction or increaser parts, the part number changes as follows:

OT - Smaller diameter listed first (before Model designation)  
Larger diameter listed before Code designation

Example - For a Tapered Increaser with an 8" to 16" dia. Body:

8G316-16OT

## Overlapping Vee Band

Code:  
VB

Vee Band for connecting inner 1/2" rolled flanges. Capable of holding 60" w.c. of pressure when properly installed.



Materials Available:

All Stainless Construction

Notes:

1. VB's are a one or two-piece design. Included with pipe sections.

## Alignment Sleeve

Code:  
AS

Used in centering adjacent components in horizontal and vertical orientations to facilitate installation.



Materials Available:

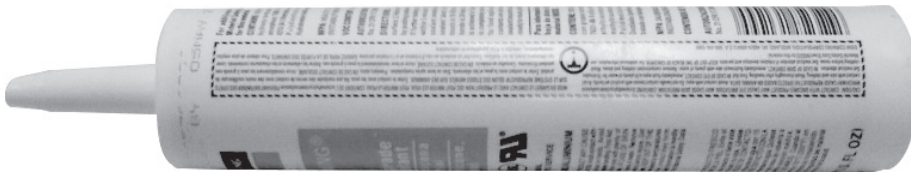
All Stainless Construction

Notes:

1. AS included with pipe sections.

## Sealant Code: SGV550

SGV550 Sealant is for 550° F. maximum flue gas temperatures, and is applied to the VEE band and pipe flange before connecting two pipes at installation.



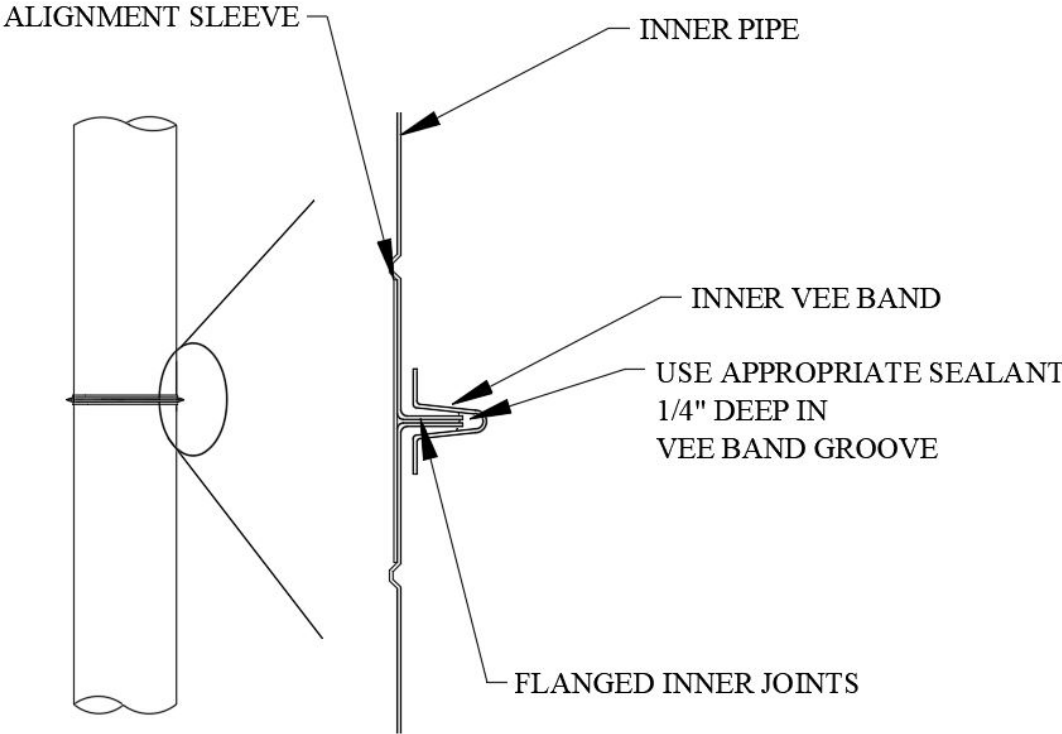
### Sealant Coverage

Expected Number of Joints Sealed Per Tube

Inner Dia. (inches)	SGV550
5/6	5
8/10	5
12	4
14/16	4
18/20	3
22/24	3
26/28	2
30/32	2
36	1
42/48	.5



# Joint Assembly



# Single Wall Pipe

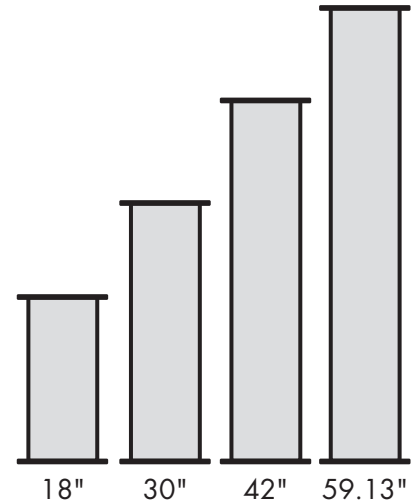
## Standard Length CODE: 18, 30, 42 & 59

A variety of straight pipe lengths are available with Model G. Special lengths are also available and can be made with a minimum dimension of 6" long.

**18" & 30" lengths** available in 5"- 48" diameters

**42" lengths** available in 5"-42" diameters

**59.13" lengths** available in 6"-26" diameters

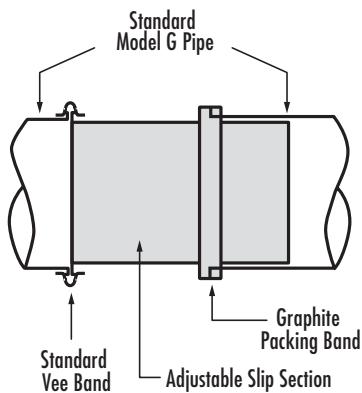


## Adjustable Single Wall Pipe

### Adjustable Length CODE: AG18 & AG30

**USE:** The G-AG18/30 is used for thermal expansion compensation in any pipe line running between two fixed points.

**NOTE:** For diameters over 26", part G-AG30 must be used.



**18" Adjustable length**  
available in 5"- 26" diameters

**30" Adjustable length**  
available in 5"- 48" diameters

*Flow Resistance Factor is the same as standard pipe.*

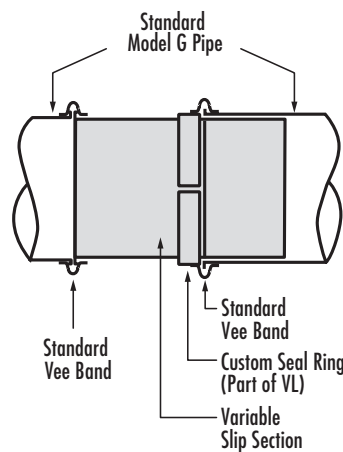
**NOTE:**

1. Minimum installed length is 4".
2. AG 18 not available for 28" diameter and above.
3. Maximum installed space is when the inner slip section protrudes at least 1/2 pipe diameter into the adjacent pipe.
4. Flow Resistance Factor (K) is the same as insulated pipe lengths.

### Variable Length CODE: AG18 & AG30

**USE:** Part G-VL18 is used as length to fill odd dimensions of 4" to 14". Part G-VL30 is used to fill odd dimensions of 4" to 26".

**NOTE:** G-VL does not allow for thermal expansion.



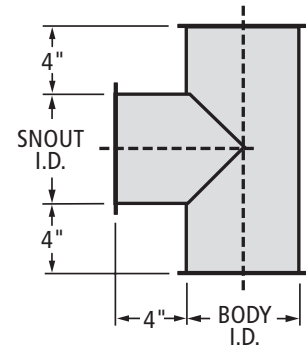
**18" Adjustable length**  
available in 5"- 48" diameters

*Flow Resistance Factor is the same as standard pipe.*

**90° Tee** CODE: MT

**USE:** To join horizontal and vertical sections of pipe. The G-MT provides for connection for a drain or inspection fitting.

**NOTE:** A reduction Manifold Tee is offered.

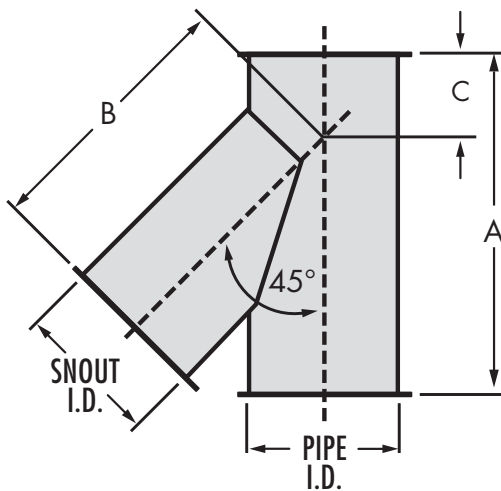


*K = 1.25 Flow Resistance Factor*

**45° Lateral Tee** CODE: JL

**USE:** The G-JL is used to join horizontal and vertical sections of pipe at a 45 degree angle.

**NOTE:** A reduction G-JL is offered. A, B, and C dimensions would remain the same.



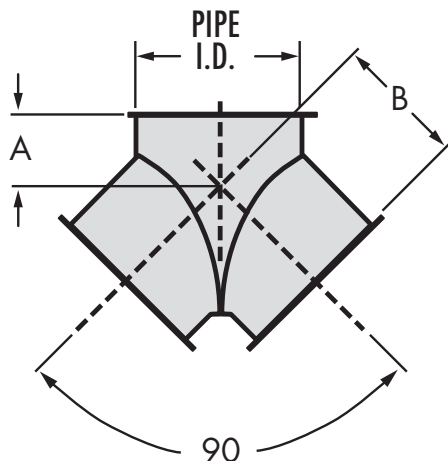
Part No.	Pipe Size I.D.	Dim. A	Dim. B	Dim. C
5G-JL	5"	19 <sup>1</sup> / <sub>2</sub>	13 <sup>3</sup> / <sub>4</sub>	5 <sup>3</sup> / <sub>4</sub>
6G-JL	6"	19 <sup>1</sup> / <sub>2</sub>	13 <sup>3</sup> / <sub>4</sub>	5 <sup>3</sup> / <sub>4</sub>
8G-JL	8"	22 <sup>7</sup> / <sub>8</sub>	16 <sup>5</sup> / <sub>8</sub>	6 <sup>1</sup> / <sub>4</sub>
10G-JL	10"	24 <sup>1</sup> / <sub>16</sub>	19	5 <sup>1</sup> / <sub>16</sub>
12G-JL	12"	26 <sup>15</sup> / <sub>16</sub>	21 <sup>7</sup> / <sub>16</sub>	5 <sup>1</sup> / <sub>2</sub>
14G-JL	14"	29 <sup>3</sup> / <sub>4</sub>	23 <sup>7</sup> / <sub>8</sub>	5 <sup>7</sup> / <sub>8</sub>
16G-JL	16"	32 <sup>9</sup> / <sub>16</sub>	26 <sup>1</sup> / <sub>4</sub>	6 <sup>5</sup> / <sub>16</sub>
18G-JL	18"	35 <sup>3</sup> / <sub>8</sub>	28 <sup>3</sup> / <sub>4</sub>	6 <sup>3</sup> / <sub>4</sub>
20G-JL	20"	38 <sup>3</sup> / <sub>16</sub>	31 <sup>1</sup> / <sub>16</sub>	7 <sup>1</sup> / <sub>8</sub>
22G-JL	22"	43 <sup>7</sup> / <sub>8</sub>	35 <sup>7</sup> / <sub>8</sub>	8
24G-JL	24"	43 <sup>7</sup> / <sub>8</sub>	35 <sup>7</sup> / <sub>8</sub>	8
26G-JL	26"	49 <sup>9</sup> / <sub>16</sub>	40 <sup>3</sup> / <sub>4</sub>	8 <sup>13</sup> / <sub>16</sub>
28G-JL	28"	49 <sup>9</sup> / <sub>16</sub>	40 <sup>3</sup> / <sub>4</sub>	8 <sup>13</sup> / <sub>16</sub>
30G-JL	30"	55 <sup>3</sup> / <sub>16</sub>	45 <sup>9</sup> / <sub>16</sub>	9 <sup>7</sup> / <sub>8</sub>
32G-JL	32"	55 <sup>3</sup> / <sub>16</sub>	45 <sup>9</sup> / <sub>16</sub>	9 <sup>7</sup> / <sub>8</sub>
36G-JL	36"	60 <sup>13</sup> / <sub>16</sub>	50 <sup>3</sup> / <sub>8</sub>	10 <sup>7</sup> / <sub>16</sub>
42G-JL	42"	69 <sup>15</sup> / <sub>16</sub>	58 <sup>1</sup> / <sub>4</sub>	11 <sup>3</sup> / <sub>4</sub>
48G-JL	48"	79 <sup>3</sup> / <sub>16</sub>	66 <sup>7</sup> / <sub>8</sub>	13

*K = 0.4 Flow Resistance Factor*

**90° Wye** CODE: JY

**USE:** The G-JY is intended for low pressure drop joining of two appliances.

**NOTE:** All openings are the same size diameter.



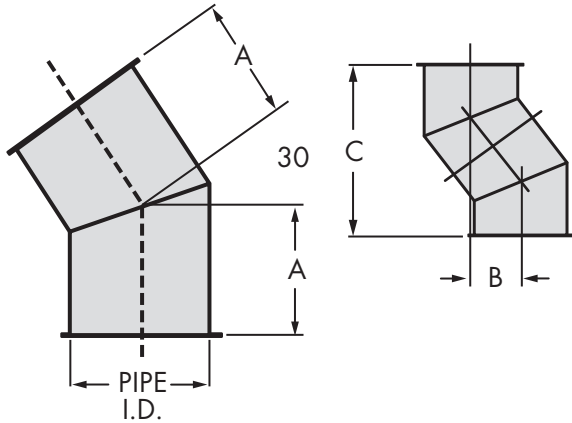
Part No.	Pipe Size I.D.	Dim. A	Dim. B
5G-JY	5"	4 <sup>5</sup> / <sub>8</sub>	9
6G-JY	6"	4 <sup>5</sup> / <sub>8</sub>	9
8G-JY	8"	5 <sup>1</sup> / <sub>16</sub>	10
10G-JY	10"	5	11
12G-JY	12"	5 <sup>1</sup> / <sub>2</sub>	12
14G-JY	14"	5 <sup>7</sup> / <sub>8</sub>	13
16G-JY	16"	6 <sup>3</sup> / <sub>8</sub>	14
18G-JY	18"	6 <sup>5</sup> / <sub>8</sub>	15
20G-JY	20"	7 <sup>1</sup> / <sub>8</sub>	17
22G-JY	22"	8	19
24G-JY	24"	8	19
26G-JY	26"	8 <sup>3</sup> / <sub>4</sub>	22
28G-JY	28"	8 <sup>3</sup> / <sub>4</sub>	22
30G-JY	30"	9 <sup>5</sup> / <sub>8</sub>	24
32G-JY	32"	9 <sup>5</sup> / <sub>8</sub>	24
36G-JY	36"	10 <sup>1</sup> / <sub>2</sub>	27
42G-JY	42"	11 <sup>3</sup> / <sub>4</sub>	31
48G-JY	48"	13	34

*K = 0.6 Flow Resistance Factor*

# Single Wall Fittings

## 30° Fixed Elbow CODE: EL30

**USE:** Designed to change the direction of a breeching 30 degrees in a vertical or horizontal run.



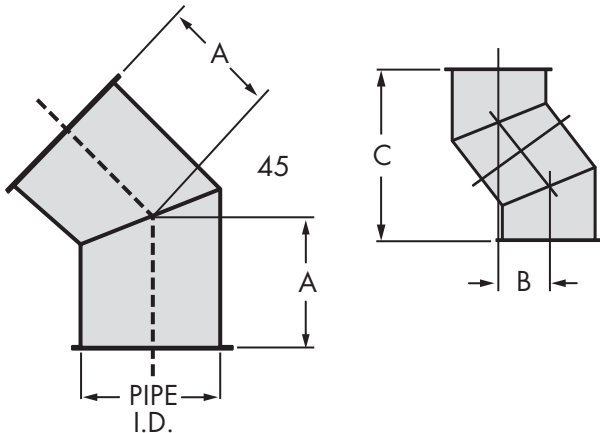
Part No.	Pipe Size I.D.	Dim. A	Dim. B	Dim. C
5G-EL30	5"	6 <sup>1</sup> / <sub>8</sub>	6 <sup>1</sup> / <sub>8</sub>	22 <sup>3</sup> / <sub>8</sub>
6G-EL30	6"	6 <sup>1</sup> / <sub>8</sub>	6 <sup>1</sup> / <sub>8</sub>	22 <sup>7</sup> / <sub>8</sub>
8G-EL30	8"	6 <sup>3</sup> / <sub>8</sub>	6 <sup>3</sup> / <sub>8</sub>	22 <sup>7</sup> / <sub>8</sub>
10G-EL30	10"	6 <sup>11</sup> / <sub>16</sub>	6 <sup>11</sup> / <sub>16</sub>	24 <sup>7</sup> / <sub>8</sub>
12G-EL30	12"	7 <sup>5</sup> / <sub>16</sub>	7 <sup>5</sup> / <sub>16</sub>	27 <sup>1</sup> / <sub>4</sub>
14G-EL30	14"	7 <sup>7</sup> / <sub>8</sub>	7 <sup>7</sup> / <sub>8</sub>	29 <sup>5</sup> / <sub>8</sub>
16G-EL30	16"	8 <sup>1</sup> / <sub>4</sub>	8 <sup>1</sup> / <sub>4</sub>	30 <sup>5</sup> / <sub>8</sub>
18G-EL30	18"	8 <sup>5</sup> / <sub>8</sub>	8 <sup>5</sup> / <sub>8</sub>	31 <sup>5</sup> / <sub>8</sub>
20G-EL30	20"	9 <sup>1</sup> / <sub>8</sub>	9 <sup>1</sup> / <sub>8</sub>	34 <sup>1</sup> / <sub>8</sub>
22G-EL30	22"	9 <sup>3</sup> / <sub>8</sub>	9 <sup>3</sup> / <sub>8</sub>	35
24G-EL30	24"	10 <sup>1</sup> / <sub>16</sub>	10 <sup>1</sup> / <sub>16</sub>	37 <sup>1</sup> / <sub>2</sub>
26G-EL30	26"	10 <sup>9</sup> / <sub>16</sub>	10 <sup>9</sup> / <sub>16</sub>	38 <sup>1</sup> / <sub>2</sub>
28G-EL30	28"	11	11	40 <sup>7</sup> / <sub>8</sub>
30G-EL30	30"	11 <sup>1</sup> / <sub>4</sub>	11 <sup>1</sup> / <sub>4</sub>	41 <sup>7</sup> / <sub>8</sub>
32G-EL30	32"	11 <sup>7</sup> / <sub>8</sub>	11 <sup>7</sup> / <sub>8</sub>	44 <sup>3</sup> / <sub>8</sub>
36G-EL30	36"	12 <sup>7</sup> / <sub>8</sub>	12 <sup>3</sup> / <sub>4</sub>	47 <sup>3</sup> / <sub>4</sub>
42G-EL30	42"	14	14	52 <sup>1</sup> / <sub>2</sub>
48G-EL30	48"	14 <sup>3</sup> / <sub>16</sub>	14 <sup>3</sup> / <sub>16</sub>	56 <sup>7</sup> / <sub>16</sub>

*K = 0.12 Flow Resistance Factor*

## 45° Fixed Elbow CODE: EL45

**USE:** The G-EL45 is used to join horizontal and vertical sections of pipe at a 45 degree angle.

**NOTE:** A reduction G-JL is offered. A, B, and C dimensions would remain the same.



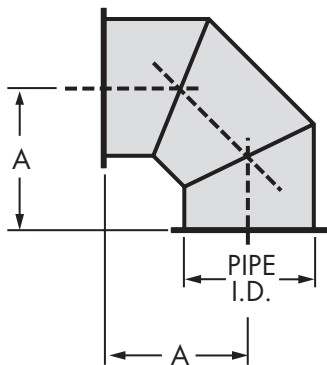
Part No.	Pipe Size I.D.	Dim. A	Dim. B	Dim. C
5G-EL45	5"	8 <sup>1</sup> / <sub>2</sub>	12	29
6G-EL45	6"	8 <sup>1</sup> / <sub>2</sub>	12	29
8G-EL45	8"	8 <sup>15</sup> / <sub>16</sub>	12 <sup>5</sup> / <sub>8</sub>	30 <sup>7</sup> / <sub>16</sub>
10G-EL45	10"	9 <sup>5</sup> / <sub>16</sub>	13 <sup>3</sup> / <sub>16</sub>	31 <sup>7</sup> / <sub>8</sub>
12G-EL45	12"	10 <sup>1</sup> / <sub>4</sub>	14 <sup>1</sup> / <sub>2</sub>	35
14G-EL45	14"	10 <sup>11</sup> / <sub>16</sub>	15 <sup>1</sup> / <sub>8</sub>	36 <sup>1</sup> / <sub>2</sub>
16G-EL45	16"	11 <sup>9</sup> / <sub>8</sub>	16 <sup>7</sup> / <sub>16</sub>	39 <sup>5</sup> / <sub>8</sub>
18G-EL45	18"	12 <sup>1</sup> / <sub>16</sub>	17 <sup>1</sup> / <sub>16</sub>	41 <sup>1</sup> / <sub>8</sub>
20G-EL45	20"	13	18 <sup>3</sup> / <sub>8</sub>	44 <sup>1</sup> / <sub>4</sub>
22G-EL45	22"	13 <sup>9</sup> / <sub>16</sub>	18 <sup>13</sup> / <sub>16</sub>	45 <sup>1</sup> / <sub>2</sub>
24G-EL45	24"	14 <sup>7</sup> / <sub>16</sub>	20 <sup>1</sup> / <sub>4</sub>	48 <sup>1</sup> / <sub>8</sub>
26G-EL45	26"	14 <sup>7</sup> / <sub>8</sub>	21 <sup>1</sup> / <sub>16</sub>	50 <sup>7</sup> / <sub>8</sub>
28G-EL45	28"	15 <sup>1</sup> / <sub>16</sub>	22 <sup>3</sup> / <sub>16</sub>	53 <sup>1</sup> / <sub>2</sub>
30G-EL45	30"	16 <sup>1</sup> / <sub>4</sub>	22 <sup>9</sup> / <sub>16</sub>	53 <sup>3</sup> / <sub>8</sub>
32G-EL45	32"	17	24	58
36G-EL45	36"	18 <sup>3</sup> / <sub>8</sub>	25 <sup>15</sup> / <sub>16</sub>	62 <sup>5</sup> / <sub>8</sub>
42G-EL45	42"	19 <sup>11</sup> / <sub>16</sub>	27 <sup>7</sup> / <sub>8</sub>	67
48G-EL45	48"	21 <sup>7</sup> / <sub>16</sub>	30 <sup>5</sup> / <sub>16</sub>	74 <sup>7</sup> / <sub>8</sub>

*K = 0.15 Flow Resistance Factor*

## 90° Fixed Elbow CODE: EL90

**USE:** The G-EL90 is used to join horizontal and vertical sections of pipe at a 90 degree angle.

**NOTE:** All openings are the same size diameter.



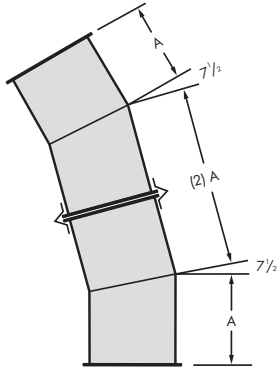
Part No.	Pipe Size I.D.	Dim. A
5G-EZ90	5"	11 <sup>1</sup> / <sub>2</sub>
6G-EL90	6"	11 <sup>1</sup> / <sub>2</sub>
8G-EL90	8"	12 <sup>1</sup> / <sub>2</sub>
10G-EL90	10"	13 <sup>1</sup> / <sub>2</sub>
12G-EL90	12"	14 <sup>1</sup> / <sub>2</sub>
14G-EL90	14"	15 <sup>1</sup> / <sub>2</sub>
16G-EL90	16"	16 <sup>1</sup> / <sub>2</sub>
18G-EL90	18"	17 <sup>1</sup> / <sub>2</sub>
20G-EL90	20"	18 <sup>1</sup> / <sub>2</sub>
22G-EL90	22"	19 <sup>1</sup> / <sub>2</sub>
24G-EL90	24"	20 <sup>1</sup> / <sub>2</sub>
26G-EL90	26"	21 <sup>1</sup> / <sub>2</sub>
28G-EL90	28"	22 <sup>1</sup> / <sub>2</sub>
30G-EL90	30"	23 <sup>1</sup> / <sub>2</sub>
32G-EL90	32"	24 <sup>1</sup> / <sub>2</sub>
36G-EL90	36"	26 <sup>1</sup> / <sub>2</sub>
42G-EL90	42"	29 <sup>1</sup> / <sub>2</sub>
48G-EL90	48"	32 <sup>1</sup> / <sub>2</sub>

*K = 0.30 Flow Resistance Factor*

### 15° Elbow

**USE:** Two-piece Elbow can establish many different degrees when combined with other standard Elbows.

#### CODE: EL15



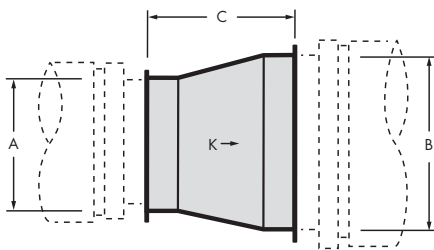
Part No.	A
5G-EL15	4 <sup>3</sup> / <sub>16</sub> "
6G-EL15	4 <sup>3</sup> / <sub>16</sub> "
8G-EL15	4 <sup>1</sup> / <sub>4</sub> "
10G-EL15	4 <sup>9</sup> / <sub>16</sub> "
12G-EL15	4 <sup>7</sup> / <sub>16</sub> "
14G-EL15	4 <sup>1</sup> / <sub>2</sub> "
16G-EL15	4 <sup>9</sup> / <sub>16</sub> "
18G-EL15	4 <sup>5</sup> / <sub>8</sub> "
20G-EL15	4 <sup>11</sup> / <sub>16</sub> "
22G-EL15	4 <sup>3</sup> / <sub>4</sub> "
24G-EL15	4 <sup>13</sup> / <sub>16</sub> "
26G-EL15	4 <sup>7</sup> / <sub>8</sub> "
28G-EL15	4 <sup>15</sup> / <sub>16</sub> "
30G-EL15	5"
32G-EL15	5 <sup>1</sup> / <sub>16</sub> "
36G-EL15	5 <sup>3</sup> / <sub>16</sub> "
42G-EL15	5 <sup>3</sup> / <sub>8</sub> "
48G-EL15	5 <sup>9</sup> / <sub>16</sub> "

*K = 0.06 flow resistance factor*

### Tapered Increaser/Reducer

**USE:** Used when a pipe diameter change is required. Make sure condensate build-up in larger diameter is drained away downstream of increaser.

#### CODE: OT



**Dimensions:**

A = Smaller Diameter

B = Larger Diameter

C = Installed Length = [(B-A) 2] +2 (see Note 1 below)

Example:

Installed Length for 12N304-180T equals [(18-12)2] +2 = 14 inches.

**Notes:**

1. Installed length shall not be greater than longest available straight pipe length.

2.  $K = N [1 - (A/B)^2]$

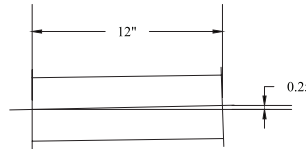
where N = 0.47 for one step OT

N = 0.53 for one step OT

### Slope Transition

**USE:** Used to create immediate 1/4" on 12" slope on horizontal runs. Typically used in pairs (one at lower (inlet) end, other at upper (outlet) end of sloped [1/4 on 12] horizontal run)

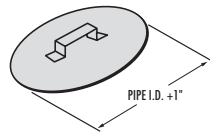
#### CODE: ST



### Cleanout Tee Cap

**USE:** Used to close Tee opening at the base of a stack or the end of a horizontal run.

#### CODE: TCN



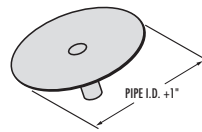
Part No. (pipe I.D.) G-TCN

Includes one VB

### Drain Tee Cap

**USE:** Provides a drain at the base of a vertical chimney when connected to the MT or JL

#### CODE: TC



Part No. (pipe I.D.) G-TC

1" N.P.T. nipple on 5"- 20" sizes

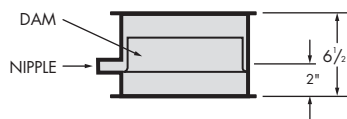
2" N.P.T. nipple on 22"- 48" sizes

Includes one VB

### Drain Section DS

**USE:** Used with open stack terminations for draining off rain water from inside vertical or horizontal flue.

#### CODE: DS

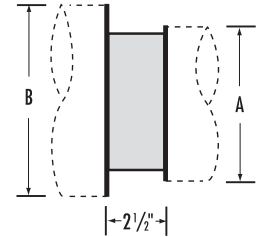


*K = 0.25 flow resistance factor*

### Step Increaser/Reducer

**USE:** Used when pipe diameter change is required in a small space. Make sure condensate build-up in large diameter is drained away downstream of increaser.

#### CODE: OS



**Dimensions:**

A = Smaller Diameter

B = Larger Diameter

**Notes:**

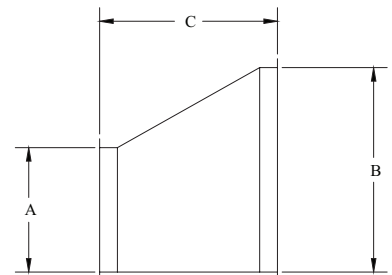
1. This is a non-structural part; use only if OT will not fit within the allowable space.

2.  $K = N [1 - (A/B)^2]$

### Eccentric Increaser

**USE:** The primary increaser used for changing diameters, due to flat bottom for effective condensate flow back to drain.

#### CODE: EOT



**Dimensions:**

A = Smaller Diameter

B = Larger Diameter

C = Installed Length = [(B-A) 2] +2 (see Note 1 below)

Example:

Installed Length for 12P304-180T equals [(18-12)2] +2 = 14 inches.

**Notes:**

1. Installed length shall not be greater than longest available straight pipe length.

2.  $K = N [1 - (A/B)^2]$

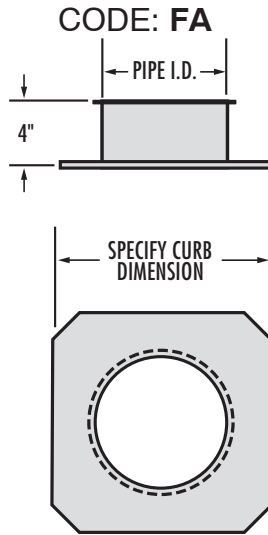
where N = 0.47 for one step EOT

N = 0.53 for one step EOT

## Connection Accessories

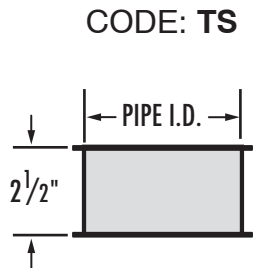
### Fan Adapter FA

**USE:** Designed to secure Model G to fan inlet.



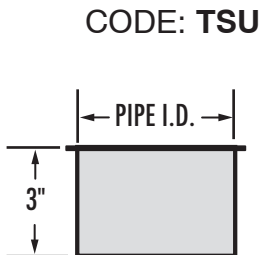
### Hood Transition

**USE:** Securing Model G to flanged appliance outlets.



### Hood Transition (Unflanged)

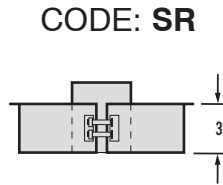
**USE:** Securing Model G to unflanged appliance outlets.



## Joint Assembly Parts

### Seal Ring

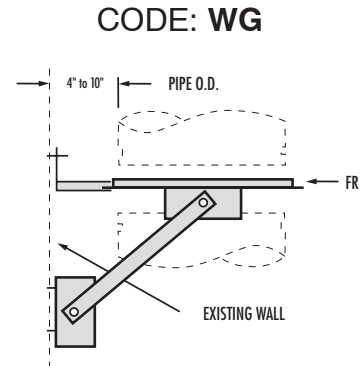
**USE:** Used for non-welded attachment to appliances having an unflanged or collar outlet.



## Support/Guide Accessories

### Wall Guide Assembly

**USE:** Same use as FR, but with factory-supplied bracing.



**Ordered Part Included:**

One FR, four struts, and six brackets.

**Notes:**

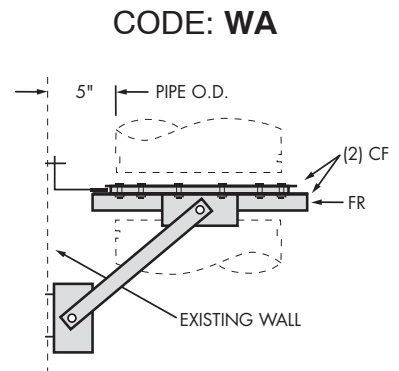
1. Assembly will maintain a 6" to 11" clearance between pipe O.D. and supporting structure.

Materials Available:

Painted Steel

### Wall Support Assembly

**USE:** "Limited" support assembly with factory-supplied bracing.



**Ordered Part Includes:**

One FR, two CFs, two HCBs, five brackets, two struts, and all hardware except connection at wall.

**Notes:**

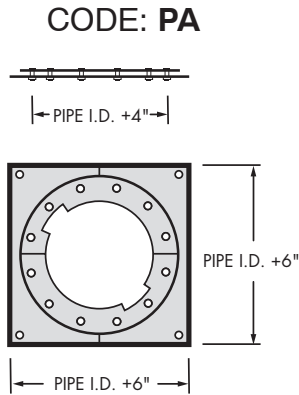
1. Assembly will maintain a 5" clearance between pipe O.D. and supporting structure.

Materials Available:

Painted Steel

### Plate Support Assembly

**USE:** Used for supporting the load of the stack and as a fixed point anchor near fittings.



**Ordered Part Includes:**

Split (square) plate, one CF, two HCBs and hardware.

**Plate Thickness:**

0.188" for sizes 5" through 20" I.D. diameters  
 0.250" for sizes 22" through 36" I.D. diameters  
 0.375" for sizes 42" through 48" I.D. diameters

**Notes:**

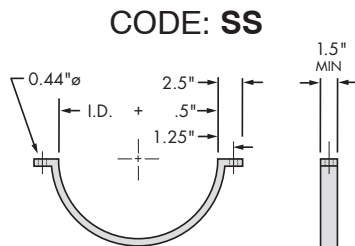
- Two 316 Stainless Steel HCBs should be ordered separately for stainless steel outer projects.
- PA fabricated from 304 Stainless Steel is available upon request and is non-returnable. Allow extra manufacturing time.

Materials Available:

Painted Steel

### Support Strap

**USE:** Available in 5" through 28"—G only. 0.188" Thick Rolled Steel.



Materials Available:

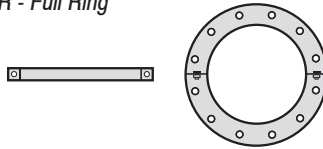
Painted Steel

### Angle Rings

**USE:** Used for guiding and/or supporting horizontal installations.

**CODE: HR & FR**

HR - Half Ring  
 FR - Full Ring



Part No.	Bolt Hole	I.D. of Ring	# of Holes	Size of Angle	Angle
5G-HR	9	5 <sup>1</sup> / <sub>8</sub>	6	(1)	45
6G-HR	10	6 <sup>1</sup> / <sub>8</sub>	6	(1)	45
8G-HR	12	8 <sup>1</sup> / <sub>8</sub>	6	(1)	45
10G-HR	14	10 <sup>1</sup> / <sub>8</sub>	6	(1)	45
12G-HR	16	12 <sup>1</sup> / <sub>8</sub>	6	(1)	45
14G-HR	18	14 <sup>1</sup> / <sub>8</sub>	6	(1)	45
16G-HR	20	16 <sup>1</sup> / <sub>8</sub>	6	(1)	45
18G-HR	22	18 <sup>1</sup> / <sub>8</sub>	6	(1)	45
20G-HR	24	20 <sup>1</sup> / <sub>8</sub>	6	(1)	45
22G-HR	26	22 <sup>1</sup> / <sub>8</sub>	10	(2)	22.5
24G-HR	28	24 <sup>1</sup> / <sub>8</sub>	10	(2)	22.5
26G-HR	30	26 <sup>1</sup> / <sub>8</sub>	10	(2)	22.5
28G-HR	32	28 <sup>1</sup> / <sub>8</sub>	10	(2)	22.5
30G-HR	34	30 <sup>1</sup> / <sub>8</sub>	10	(2)	22.5
32G-HR	36	32 <sup>1</sup> / <sub>8</sub>	10	(2)	22.5
36G-HR	40	36 <sup>1</sup> / <sub>8</sub>	10	(2)	22.5
42G-HR	46	42 <sup>1</sup> / <sub>8</sub>	10	(2)	22.5
48G-HR	52	48 <sup>1</sup> / <sub>8</sub>	10	(2)	22.5

- (1) Size of Angle = 1<sup>1</sup>/<sub>2</sub> X 1<sup>1</sup>/<sub>2</sub> X 3<sup>8</sup>/<sub>16</sub>  
 (2) Size of Angle = 2 X 2 X 3<sup>8</sup>/<sub>16</sub>

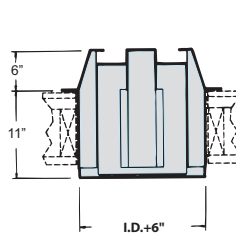
Materials Available:

Painted Steel

### Ventilated Thimble

**USE:** Body part of MVT, MRS, and PVT. Also can be used by itself for a wall penetration (see installation instructions). Refer to table on right for all necessary parts.

**CODE: THB**

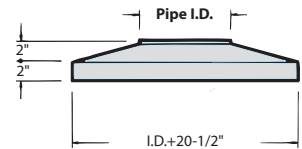


\*\*Framing Dimension\*\*

### Ventilated Storm Collar

**USE:** Combustible wall penetration. Due to flange on pipe the VSC must be up sized. Additional Storm Collar must be used to close the gap. Refer to table below for VSC and SC parts.

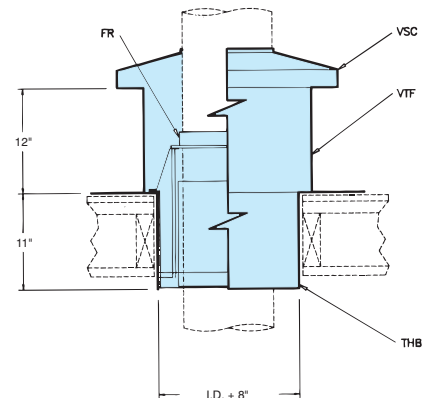
**CODE: VSC**



### Ventilated Roof Thimble

**USE:** For use where pipe passes through a combustible roof or structure. Also guides the chimney 6" above the roof line. Refer to table below for all necessary parts.

**CODE: MVT**



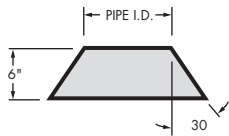
Pipe Size I.D.	THB Part No.	MVT Part No.	VSC Part No.	SC Part No.
5	5P-THB	5P-MVT	5P-VSC	5G-SC
6	6P-THB	6P-MVT	6P-VSC	6G-SC
8	8P-THB	8P-MVT	8P-VSC	8G-SC
10	10P-THB	10P-MVT	10P-VSC	10G-SC
12	12P-THB	12P-MVT	12P-VSC	12G-SC
14	14P-THB	14P-MVT	14P-VSC	14G-SC
16	16P-THB	16P-MVT	16P-VSC	16G-SC
18	18P-THB	18P-MVT	18P-VSC	18G-SC
20	20P-THB	20P-MVT	20P-VSC	20G-SC
22	22P-THB	22P-MVT	22P-VSC	22G-SC
24	24P-THB	24P-MVT	24P-VSC	24G-SC
26	26P-THB	26P-MVT	26P-VSC	26G-SC
28	28P-THB	28P-MVT	28P-VSC	28G-SC
30	30P-THB	30P-MVT	30P-VSC	30G-SC
32	32P-THB	32P-MVT	32P-VSC	32G-SC
36	36P-THB	36P-MVT	36P-VSC	36G-SC
42	42P-THB	42P-MVT	42P-VSC	42G-SC
48	48P-THB	48P-MVT	48P-VSC	48G-SC

# Roof Penetrations

## Storm Collar

**USE:** Used above the TF and PTF for complete weatherization above the roof.

**CODE: SC**



**Notes:**

1. Requires P600 sealant when installing.

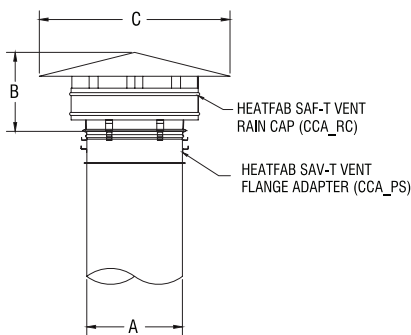
Materials Available:

Aluminized or Galvanized Steel	304	316
--------------------------------	-----	-----

## Rain Cap (Heatfab Saf-T Vent)

**USE:** Provides the greatest degree of wind protection and required for use on Category II applications. Sizes available are from 5"-32". Rain cap adapts to G pipe models via the following parts ordered separately: Saf-T Vent Double Flange Adapter (CCA\_PS) and Vee-Band (VB). Reference illustration and table below.

**CODE: CCA\_RC**

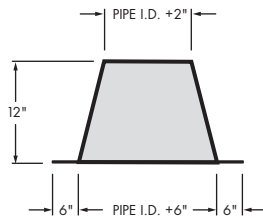


Product (Pipe I.D.)	Saf-T Vent Rain Cap Part Number	Saf-T Vent Flange Adapter Part Number	Dimensions		
			A	B	C
5	CCA05RC	CCA05PS	5	8.5	14
6	CCA06RC	CCA06PS	6	8.5	14
8	CCA08RC	CCA08PS	8	9.5	18
10	CCA10RC	CCA10PS	10	9.5	20
12	CCA12RC	CCA12PS	12	9.5	24
14	CCA14RC	CCA14PS	14	11.5	28
16	CCA16RC	CCA16PS	16	13.5	32
18	CCA18RC	CCA18PS	18	15.5	36
20	CCA20RC	CCA20PS	20	17.5	36
22	CCA22RC	CCA22PS	22	19.5	44
24	CCA24RC	CCA24PS	24	19.5	48
26	CCA26RC	CCA26PS	26	25	52
28	CCA28RC	CCA28PS	28	25	52
30	CCA30RC	CCA30PS	30	25	52
32	CCA32RC	CCA32PS	32	25	52

## Tall Flashing TF

**USE:** Used in conjunction with SC for weatherization at the roof.

**CODE: TF**



**Notes:**

1. Use limited to installations where complete roof penetration is non-combustible.

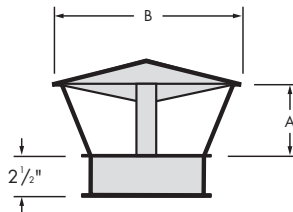
Materials Available:

Aluminized or Galvanized Steel	304	316
--------------------------------	-----	-----

## Stack Cap

**USE:** Provides partial protection with low flow resistance. May require a drain at base of stack. Not permitted for CAT II applications.

**CODE: SK**



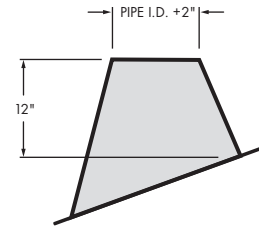
K = 0.5 Flow Resistance Factor

Part No.	Dim. A	Dim. B
5G-SK	2 1/2	10 1/4
6G-SK	3	10 1/4
8G-SK	4	13 3/8
10G-SK	5	17
12G-SK	6	20 1/2
14G-SK	7	24
16G-SK	8	27 3/8
18G-SK	9	30 3/4
20G-SK	10	34 1/8
22G-SK	11	37 5/8
24G-SK	12	41
26G-SK	13	44 3/8
28G-SK	14	47 7/8
30G-SK	15	51 1/4
32G-SK	16	54 5/8
36G-SK	18	61 1/2
42G-SK	21	71 3/4
48G-SK	24	82

## Pitched Tall Flashing PTF

**USE:** Same function as TF, except for use on a pitched roof.

**CODE: PTF**



**Notes:**

1. Part is non-returnable and may require extra manufacturing time. Specify pitch when ordering.
2. Use limited to installations where complete roof penetration is non-combustible.

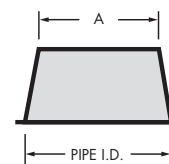
Materials Available:

Aluminized or Galvanized Steel	304	316
--------------------------------	-----	-----

## Exit Cone

**USE:** Will increase stack exit velocity 1 1/2 times. Requires a drain at the bottom of stack.

**CODE: EC**



K = 0.5 Flow Resistance Factor

Part No.	Dim. A
5G-EC	4 7/8
6G-EC	4 7/8
8G-EC	6 9/16
10G-EC	8 3/16
12G-EC	9 7/8
14G-EC	11 1/2
16G-EC	13 1/16
18G-EC	14 3/4
20G-EC	16 5/16
22G-EC	18
24G-EC	19 5/8
26G-EC	21 1/4
28G-EC	2 7/8
30G-EC	24 1/2
32G-EC	26 1/8
36G-EC	29 3/8
42G-EC	34 3/16
48G-EC	39 3/16



**Material Thickness**

Diameter	Inner	
	Gauge *	Material
5"-32"	20	.035" - 316 SS
	20	
36"	20	.035" - 316 SS
	20	
38"-48"	18	.048" - 316 SS
	18	

\* Gauge is approximate.

Operating Temperatures and Clearances to Combustibles

<b>Table I-1: Model G316</b> <b>Min. Airspace Clearance-to-Combustible Construction</b>					
Model	Pipe ID	Max. Appliance Operating Temperature	Clearance to Combustible Material	Orientation	Enclosure
G	5-12"	230°F*	0"	Vert. & Horiz.	Fully Enclosed
	14-48"	194°F*			
	5"	550°F	1"	Vert. & Horiz.	Unenclosed
	6-12"		2"		
	14"		3"		
	16-18"		4"		
	20-22"		5"		
	24-26"		6"		
	28-32"		7"		
	34-38"		8"		
	40-44"		9"		
	46-48"		10"		
	5-48"		0"		

\* Permitted to be fully enclosed with combustibles at 0" clearance per ULC-S636



BUILD FOR THE FUTURE

Customer Service and Support:

Airmate (USA).....	800.992.8368
Airmate (CAN) .....	888.735.5475
Ameriflow .....	800.252.8467
Amerivent (Retail).....	800.252.8467
Amerivent (Hearth & Wholesale) ....	800.423.4270
Amerivent (Support).....	800.748.0392
AMPCO (USA) .....	800.669.3269
AMPCO (CAN).....	888.735.5475
Duravent .....	800.835.4429
Hart & Cooley.....	800.433.6341
Hart & Cooley (Support) .....	800.748.0392
Heatfab (USA).....	800.772.0739
Heatfab (CAN) .....	800.848.2149
Lima.....	800.423.4270
Milcor .....	800.774.5240
Portals Plus.....	800.774.5240
RPS.....	800.624.8642
Security Chimney (USA).....	800.361.4909
Security Chimney (CAN) .....	800.667.3387
Selkirk (USA) Residential .....	800.992.8368
Selkirk (USA) Commercial.....	800.848.2149
Selkirk (USA) Support.....	800.748.0392
Selkirk (CAN).....	888.735.5475

Manufacturing & Distribution Centers:

CANADA	
Nobel, ON	Manufacturing
Laval, QC	Manufacturing
Prescott, ON	Distribution
USA	
Grand Rapids, MI	Center of Excellence
Dallas, TX	Distribution
Englewood, OH	Distribution
Huntsville, AL	Manufacturing & Distribution
Mira Loma, CA	Distribution
Nampa, ID	Manufacturing & Distribution
Turner Falls, MA	Manufacturing & Distribution
Vacaville, CA	Manufacturing
MEXICO	
Ojinaga, MX	Manufacturing
Mexicali, MX	Manufacturing

Corporate Headquarters:

Duravent Group  
 28 W. Adams, Suite 1810  
 Detroit, MI 48226  
 Tel: 800.835.4429  
 Email: [info@duraventgroup.com](mailto:info@duraventgroup.com)  
[www.duraventgroup.com](http://www.duraventgroup.com)



BUILD FOR THE FUTURE

[www.duraventgroup.com](http://www.duraventgroup.com)

