



Ultra-Temp[®]

Chimney Catalog

FUEL TYPE: GAS | OIL

CANADA ONLY



TABLE OF CONTENTS

Technical Data Sheet 3

Chimney Lengths 4

Elbows and Tees 6

Supports 9

Shields..... 12

Flashings..... 13-

Rain Caps/Round Tops 16

Miscellaneous Accessories 18

Fireplace Parts 22

Ultra-Temp Model UT

TECHNICAL DATA SHEET

CERTIFICATION & APPLICATIONS

ULTRA-TEMP is Safety Tested and Listed to applicable UL/ULC Standards. These include:

Canada: CAN/ULC-604

Ultra-Temp Model UT is available in diameters from 4" to 10", is safety certified (Listed) in accordance with CAN/ULC-604, the Standard for Factory-Built Type A Chimneys. As such, it is fully qualified for use with gas and oil fired equipment certified for use with such chimneys.

Ultra-Temp Model UT may also be used with specifically listed CAN/ULC-S610 factory-built fireplaces listed with Model UT. Check fireplace manufacturer's installation instructions for more information.

Allowable Flue Gas Temperatures (all diameters) are:

Maximum Continuous:	1000°F / 540°C
Additional Tests:	1400°F / 760°C
	1700°F / 925°C

CLEARANCE TO COMBUSTIBLE MATERIALS

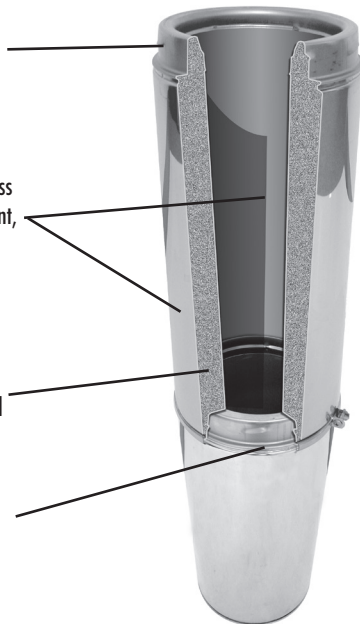
A 2" clearance to combustible materials must be maintained at all times, except in areas protected by factory supplied supports certified for reduced clearance.

TWIST-LOCK COUPLER
For quick, easy connection

PREMIUM MATERIALS
Two alloys of high grade stainless steel provide a corrosion resistant, quality product

1" PREMIUM MINERAL WOOL "SOLID PACK" INSULATION
Outperforms blanket, triple wall or air insulated designs

LOCKING BAND*
Included with each length for maximum security



*NOTE: 4" diameter slightly different - no locking band required.
See installation instructions for more details.

CONSTRUCTION

	4"	5" to 8"	10"
Inner Liner (Flue):	Type 304 Stainless Steel 0.016" thickness	Type 304 Stainless Steel 0.015" thickness	Type 430 Stainless Steel 0.015" thickness
Outer Casing:	Type 304 Stainless Steel 0.016" thickness	Type 430 Stainless Steel 0.015" thickness	Type 430 Stainless Steel 0.015" thickness

Insulation: The 1" space between the inner/outer walls is Solid Packed with Mineral Wool Fibre insulation to provide superior insulating qualities, in a "slim-line" design. Solid Pack design performs favorably to Blanket type and Air-Cooled chimney designs.

SUPPORTS/FRAMING

All Selkirk Supports are designed to carry four times the combined weight of each system at maximum allowable height.

Notes: Locking Bands are supplied with each Insulated Length and Component, with the exception of the 4" diameter which is supplied with a securing screw.

Made in North America by Selkirk - the company that invented the Factory-Built Chimney.

ULTRA-TEMP CANADA SUPPORT TABLE

Diameters	4"	5"	6"	7"	8"	10"
Ceiling Support	50'	50'	50'	50'	50'	50'
Cathedral Support	50'	30'	30'	N/A	N/A	N/A
Wall Support	50'	See Instructions - Table 5				
Roof Support	N/A	30'	30'	30'	30'	30'

Diameter	Framing Dimensions			
	Ceiling or Finish Support	Ceiling Penetrations	Cathedral Support	Wall Support
4" Dia.	9" x 9"	10" x 10"	9" x 9"	10" x 10"
5" Dia.	11-3/8" x 11-3/8"	11-1/8" x 11-1/8"	11" x 11"	11" x 11"
6" Dia.	12-3/8" x 12-3/8"	12-1/8" x 12-1/8"	12" x 12"	12" x 12"
7" Dia.	13-3/8" x 13-3/8"	13-1/8" x 13-1/8"	N/A	13" x 13"
8" Dia.	14-3/8" x 14-3/8"	14-1/8" x 14-1/8"	N/A	14" x 14"
10" Dia.	16-1/4" x 16-1/4"	16-1/8" x 16-1/8"	N/A	16" x 16"

N/A = Not Available

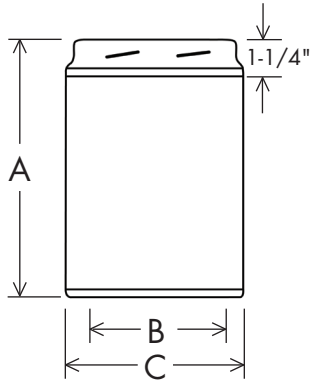


The Best Warranty in the Industry

ULTRA-TEMP Chimney features an advanced engineering design and premium quality material which allow us to offer a Lifetime Warranty on all component parts. See written warranty for details.

Chimney Lengths

INSULATED LENGTHS



- Available in lengths of 6", 12", 18", 24", 36" and 48".
- Available in diameters of 4", 5", 6", 7", 8", and 10".
- All insulated lengths are packaged with a Locking Band, except for 4" supplied with securing screw.

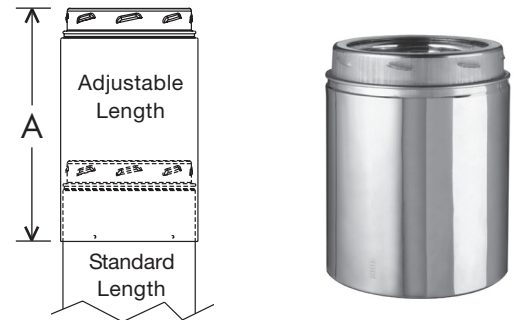
Size	A	B	C	Product Code	Part No.	Pack
6"	48"	6"	8"	206048U	6UT-48	1
7"	48"	7"	9"	207048U	7UT-48	1
8"	48"	8"	10"	208048U	8UT-48	1
4"	36"	4"	6"	204036U	N/A	4
5"	36"	5"	7"	205036U	5UT-36	1
6"	36"	6"	8"	206036U	6UT-36	1
7"	36"	7"	9"	207036U	7UT-36	1
8"	36"	8"	10"	208036U	8UT-36	1
10"	36"	10"	12"	210036U	10UT-36	1
4"	24"	4"	6"	204024U	N/A	4
5"	24"	5"	7"	205024U	5UT-24	1
6"	24"	6"	8"	206024U	6UT-24	1
7"	24"	7"	9"	207024U	7UT-24	1
8"	24"	8"	10"	208024U	8UT-24	1
10"	24"	10"	12"	210024U	10UT-24	1
4"	18"	4"	6"	204018U	N/A	4
5"	18"	5"	7"	205018U	5UT-18	1
6"	18"	6"	8"	206018U	6UT-18	1
7"	18"	7"	9"	207018U	7UT-18	1
8"	18"	8"	10"	208018U	8UT-18	1
10"	18"	10"	12"	210018U	10UT-18	1
4"	12"	4"	6"	204012U	N/A	4
5"	12"	5"	7"	205012U	5UT-12	1
6"	12"	6"	8"	206012U	6UT-12	1
7"	12"	7"	9"	207012U	7UT-12	1
8"	12"	8"	10"	208012U	8UT-12	1
10"	12"	10"	12"	210012U	10UT-12	1
4"	6"	4"	6"	204006U	N/A	4
5"	6"	5"	7"	205006U	5UT-6	1
6"	6"	6"	8"	206006U	6UT-6	2
7"	6"	7"	9"	207006U	7UT-6	2
8"	6"	8"	10"	208006U	8UT-6	2
10"	6"	10"	12"	210006U	10UT-6	1

Chimney Lengths *continued*

- Overall length of 12".
- Adjustable from 2" to 9-1/2".
- Used in offset applications.
- Supplied with Locking Band.

Size	A	Product Code	Part No.	Pack
5"	12"	205011U	5UT-11AJ	1
6"	12"	206011U	6UT-11AJ	1
7"	12"	207011U	7UT-11AJ	1
8"	12"	208011U	8UT-11AJ	1

ADJUSTABLE LENGTHS

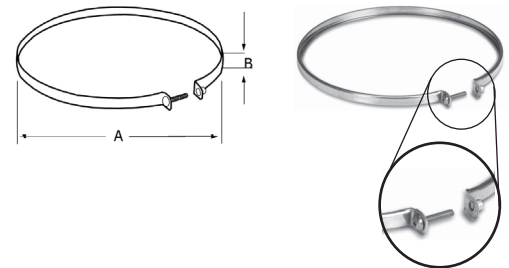


NOTE: Adjustable Lengths must be installed above a fixed length - they cannot be installed immediately above a support, tee or elbow.

- Versatile, simple device for increasing stability of a chimney.
- Inward flanges around the band fit into grooves at chimney length joints.
- Reinforces joints of chimney and prevents accidental uncoupling.
- Locking Band is included with all insulated lengths, tees and elbow kits.
- Made of stainless steel.

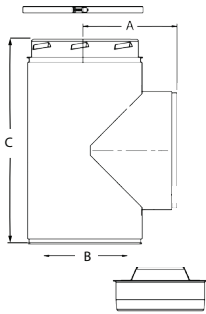
Size	A	B	Product Code	Part No.	Pack
5"	7"	7/16"	205450	5T-LB	4
6"	8"	7/16"	206450	6T-LB	4
7"	9"	7/16"	207450	7T-LB	4
8"	10"	7/16"	208450	8T-LB	4
10"	12"	7/16"	210450	10S-LB	4

LOCKING BANDS



Elbows and Tees

INSULATED TEE AND PLUG



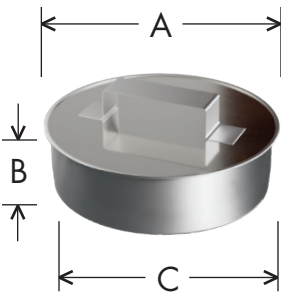
- Allows the horizontal connection of the chimney to the appliance.
- Can be used on the interior or exterior of the building, in combination with a Wall Support Assembly.
- The Tee Cap provided allows access for inspection and cleaning.
- Includes Locking Band.

STAINLESS INSULATED TEE WITH INSULATED TEE PLUG - TYPE HT

Size	A	B	C	Product No.	Part No.	Pack
4"	5"	5"	10"	204100	N/A	2
5"	6-3/8"	5-1/16"	13-7/8"	205100	5T-IT	1
6"	6-1/2"	6-1/16"	14-1/8"	206100	6T-IT	1
7"	7"	7-1/16"	15-1/8"	207100	7T-IT	1
8"	7-1/2"	8-1/16"	16-1/8"	208100	8T-IT	1
10"	8-1/2"	10-1/16"	18-1/8"	210100	10S-IT	1

Note: 4" not exactly as shown.

INSULATED TEE PLUG



- Removable to provide easy access for chimney maintenance and inspection.
- Insulated to help maintain flue gas temperature.

Size	A	B	C	Product Code	Part No.	Pack
5"	5-3/8"	2"	4-15/16"	205102	5T-IP	1
6"	6-3/8"	2"	5-15/16"	206102	6T-IP	1
7"	7-3/8"	2"	6-15/16"	207102	7T-IP	1
8"	8-3/8"	2"	7-15/16"	208102	8T-IP	1
10"	10-3/8"	2"	9-15/16"	210102	10S-IP	1

ELBOW KITS



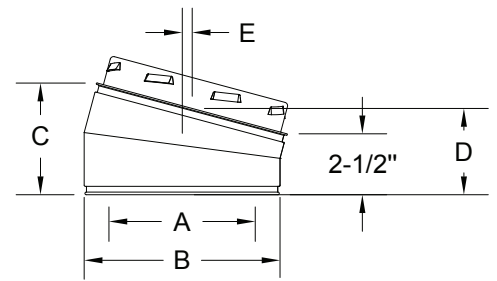
- **Kits Include:** 2 Elbows, 2 Locking Bands and Interior Resupport in one box.
- **REQUIRED:** Locking bands (two packaged with each elbow kit) allow 360 degree rotation and lock the components together at the exact offset required. Elbows can be used on the same two-inch air space clearance as chimney sections.
- The first vertical length of chimney above an offset should be resupported, using an Interior Resupport Assembly securely clamped to the pipe just below a Locking Band with its straps nailed to a nearby structure.

Elbows and Tees continued

ULTRA-TEMP

Size (A)	B	C	D	E	Product No.	Part No.	Pack
4"	6"	N/A	N/A	N/A	204206	N/A	2
5"	7"	4-5/16"	3-7/16"	3/8"	205206	5T-EL 15 KIT	1
6"	8"	4-9/16"	3-9/16"	3/8"	206206	6T-EL 15 KIT	1
7"	9"	4-7/8"	3-11/16"	7/16"	207206	7T-EL 15 KIT	1
8"	10"	5-1/8"	3-3/4"	7/16"	208206	8T-EL 15 KIT	1
10"	12"	5-5/8"	4-1/16"	1/2"	210206	10S-EL 15 KIT	1

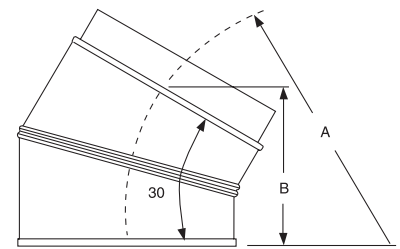
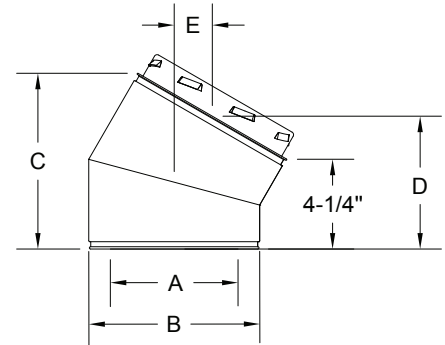
15° INSULATED ELBOW KIT



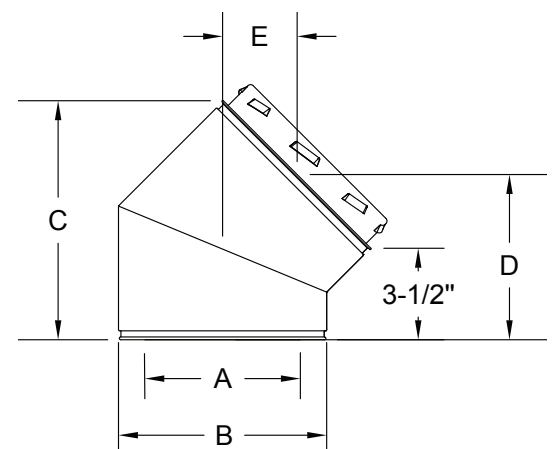
ULTRA-TEMP

Size (A)	B	C	D	E	Product No.	Part No.	Pack
4"	6"	N/A	N/A	N/A	204216	N/A	2
5"	7"	8"	6-1/4"	1-3/4"	205211	5T-EL 30 KIT	1
6"	8"	8-1/4"	6-1/4"	1-3/4"	206211	6T-EL 30 KIT	1
7"	9"	9-1/4"	7"	2"	207211	7T-EL 30 KIT	1
8"	10"	10"	7-3/8"	2-1/8"	208211	8T-EL 30 KIT	1
10"	12"	10"	7"	2"	210211	10S-EL 30 KIT	1

30° INSULATED ELBOW KIT



45° INSULATED ELBOW KIT



Size	Product Code	Part No.	Pack
4"	204216	N/A	2
6"	0604506	6T-EL45 KIT	1
7"	0604507	7T-EL45 KIT	1
8"	0604508	8T-EL45 KIT	1

4" is not available in a kit.

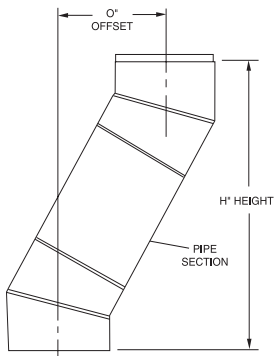
**INTERIOR RESUPPORT
(OFFSET SUPPORT)**

- Required to support offset at the immediate section of chimney above the upper elbow of an offset.
- Will support 18' of chimney.
- Straps are 17.5" in length.



Size	Product No.	Part No.	Pack
5"	205435	5T-IR	1
6"	206435	6T-IR	1
7"	207435	7T-IR	1
8"	208435	8T-IR	1
10"	210435	10S-IR	1

Chimney Offset Tables



O = Offset; H = Height

Chimney Lengths	45° OFFSET CHART					
	DIA 6po		DIA 7po		DIA 8po	
	O	H	O	H	O	H
None	5-3/8"	12-15/16"	5-11/16"	13-3/4"	5-9/16"	13-3/8"
6"	8-9/16"	16-1/8"	8-7/8"	16-15/16"	8-3/4"	16-9/16"
9"	10-5/8"	18-1/4"	11"	19-1/16"	10-7/8"	18-11/16"
12"	12-3/4"	20-3/8"	13-1/8"	21-3/16"	13"	20-13/16"
18"	17"	24-5/8"	17-3/8"	25-7/16"	17-1/4"	25-1/16"
24"	21-1/4"	28-7/8"	21-5/8"	29-11/16"	21-1/2"	29-5/16"
36"	29-3/4"	37-5/16"	30-1/16"	38-1/8"	29-15/16"	37-3/4"
48"	38-1/4"	45-13/16"	38-9/16"	38-1/8"	38-7/16"	46-1/4"

Part No.	2 Elbows w/o Pipe		2 Elbows + 6" Section		2 Elbows + 9" Section		2 Elbows + 12" Section		2 Elbows + 18" Section		2 Elbows + 24" Section		2 Elbows + 36" Section		2 Elbows + 48" Section	
	O	H	O	H	O	H	O	H	O	H	O	H	O	H	O	H
5UT - 15°	7/8"	6-13/16"	2-1/16"	1-1/8"	2-3/16"	14"	3-9/16"	17"	5-1/8"	22-3/4"	6-11/16"	28-1/2"	9-13/16"	40-1/8"	N/A	N/A
6UT - 15°	15/16"	7-1/16"	2-1/8"	11-3/8"	2-7/8"	14-1/4"	3-5/8"	17-1/4"	5-3/16"	23"	6-3/4"	28-3/4"	9-7/8"	40-3/8"	13"	52"
7UT - 15°	1"	7-5/16"	2-1/8"	11-11/16"	2-5/16"	14-9/16"	3-11/16"	17-7/16"	5-1/4"	23-1/4"	6-13/16"	29-1/16"	9-7/8"	40-5/8"	13"	52-1/4"
8UT - 15°	1"	7-9/16"	2-3/16"	11-15/16"	2-15/16"	14-13/16"	3-11/16"	17-11/16"	5-1/4"	23-1/2"	6-13/16"	29-5/16"	9-15/16"	40-7/8"	13-1/16"	52-1/2"
5UT - 30°	3-3/8"	12-9/16"	4-9/16"	16-7/8"	5-5/16"	19-3/4"	6-1/16"	22-3/4"	7-5/8"	28-1/2"	9-3/16"	34-1/4"	12-5/16"	45-7/8"	N/A	N/A
6UT - 30°	3-3/8"	12-9/16"	4-9/16"	16-7/8"	5-5/16"	19-3/4"	6-1/16"	22-3/4"	7-5/8"	28-1/2"	9-3/16"	34-1/4"	12-5/16"	45-7/8"	15-7/16"	57-1/2"
7UT - 30°	3-3/4"	14-1/16"	4-15/16"	18-7/16"	5-11/16"	21-5/16"	6-7/16"	24-3/16"	8"	30"	9-9/16"	35-13/16"	12-11/16"	47-3/8"	15-13/16"	59"
8UT - 30°	4"	14-13/16"	5-1/8"	19-3/16"	5-15/16"	22-1/16"	6-11/16"	24-15/16"	8-1/4"	30-3/4"	9-13/16"	36-9/16"	12-7/8"	48-1/8"	16"	59-3/4"
10UT - 15°	1-1/16"	8-1/8"	2-1/4"	12-1/2"	3"	15-3/8"	3-3/4"	18-1/4"	5-5/16"	24-1/16"	6-7/8"	29-7/8"	10"	41-7/16"	N/A	N/A
10UT - 30°	3-3/4"	14"	4-15/16"	18-3/8"	5-11/16"	21-1/4"	6-7/16"	24-1/8"	8"	29-15/16"	9-9/16"	35-3/4"	12-11/16"	47-5/16"	N/A	N/A

NOTE: O = Offset; H = Height
All dimensions and indicated lengths assume a 1.25" overlap... 5" through 10"; 15 degree elbows are new 2 gore design.

Supports

- For ceiling joist-supported chimney systems.
- Consists of Support/Trim Plate Assembly and Bucket Section.
- Maximum height per support is 50 feet.

Size	A	Product Code	Part No.	Pack
5"	7-1/4"	0702705	5T-CSG	1
6"	8-1/4"	0702706	6T-CSG	1
7"	9-1/4"	0702707	7T-CSG	1
8"	10-1/4"	0702708	8T-CSG	1
10"	12-1/4"	210415	10S-CSP	1

- For ceiling joist-supported chimney systems.
- Consists of Support/Trim Plate Assembly and Bucket Section.
- Maximum height per support is 50 feet.

Size	A	Product Code	Part No.	Pack
5"	7-1/4"	0712705	5T-CSB	1
6"	8-1/4"	0712706	6T-CSB	1

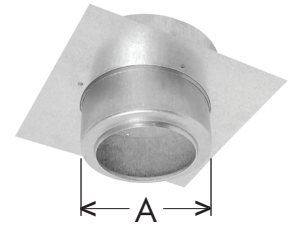
- Used to support chimney from a flat ceiling joist.
- Supports up to 50' of chimney.
- Round design with decorative black hi-temp paint finish.

Size	A	B	C	Product Code	Pack
4"	4"	9"	12"	HT4BCS	1

- Allows for an adjustment of 2" to 6" from a vertical wall.
- For outside chimney installations for use with an insulated tee.
- Consists of two wall brackets, support plate and hardware.
- Supports up to 60'.

Size	A	B	C	Product Code	Part No.	Pack
5"	9-1/4"	10-5/8"	18-7/8"	205430	5T-AWS	1
6"	9-1/4"	10-5/8"	18-7/8"	206430	6T-AWS	1
7"	10-1/4"	11-5/8"	20-1/2"	207430	7T-AWS	1
8"	11-1/4"	12-5/8"	21-7/8"	208430	8T-AWS	1
10"	16"	14-5/8"	25-1/4"	210430	10S-AWS	1

CEILING SUPPORT (GALVANIZED)

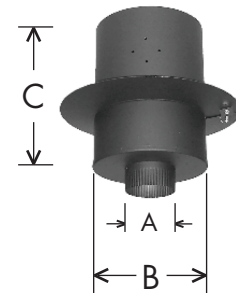


NOTE: Galvanized construction. Includes finishing trim and is 12" in height.

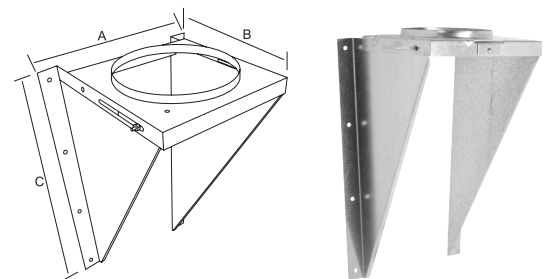
CEILING SUPPORT (BLACK)



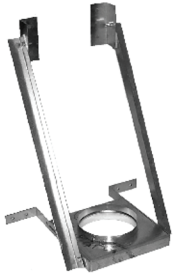
CEILING SUPPORT FOR 4" UT



ADJUSTABLE WALL SUPPORT



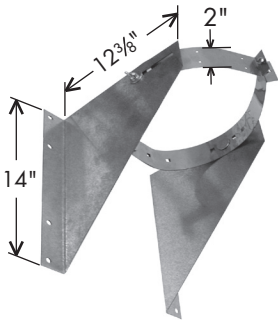
4" WALL SUPPORT



- Used to stabilize the chimney against an outside wall.
- Supports up to 50' of chimney.

Size	Product Code	Pack
4"	HT4WS	1

UNIVERSAL WALL SUPPORT / RESUPPORT ASSEMBLY



- Designed to support up to 29' of ULTRA-TEMP Chimney in a wall installation above the tee or above an offset. It can also serve as an intermediate support.
- This universal design will work on 5", 6", 7" and 8" diameters.

Size	Product Code	Part No.	Pack
5", 6", 7", 8"	200260	UWRSA	1

VERTICAL SUPPORT CHART

Diameter	Height of Support
5"	29'
6"	28'
7"	25'
8"	20'

ROOF SUPPORT PACKAGE



- An ideal support for open cathedral ceiling installations. It adapts to all roof pitches and requires only simple framing.
- Package Includes: 2 Chimney Plates, 2 Roof Brackets and hardware.
- Maximum length of chimney which can be suspended below the roof support is 20'. Maximum total length (both above and below) is 30'.
- Chimney length is not supplied with 4"-8".

Size	Product Code	Part No.	Pack
4"	HT4RS	N/A	1
5"	0522907*	URSP	1
6"	0522907*	URSP	1
7"	0522907*	URSP	1
8"	0522907*	URSP	1
10"	210420*	10S-RSP	1

- Note:**
- * Chimney Length not included with 4"-8".
 - * An 18" Chimney Length included with 10".
 - * 4" Roof Support provides lateral support only.

Supports continued

- This Ultra-Temp Kit was designed to satisfy "through-the-roof" installations, where the ceiling is at an elevated pitch.
- The box is 12" x 12" and supports up to 30' of chimney of which 15' can be suspended below the box.

This Kit Includes:

- Black Cathedral Ceiling Support Box.
- Support Band.
- 4 painted Ceiling Trim Angles.
- Decorative Adaptor.
- Round Top.

Size	Framing Dimensions	Product Code	Part No.	Pack
5"	12-1/4" x 12-1/4"	0745105	5T-CCSK	1
6"	12-1/4" x 12-1/4"	0745106	6T-CCSK	1

CATHEDRAL CEILING SUPPORT KIT



- The Wall Support Kit contains all the main accessory components used in Ultra-Temp Thru-the-Wall installations conveniently packaged in a single box.

This Kit Includes:

- Round Top.
- Wall Band.
- Wall Support, Insulated Tee and Insulated Tee Plug.
- Insulated Wall Thimble.
- Decorative Adaptor.

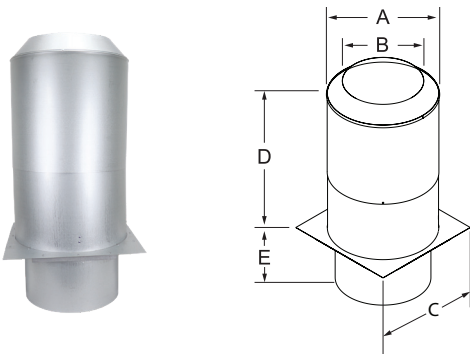
Size	Framing Dimensions	Product Code	Part No.	Pack
5"	11-1/8" x 11-1/8"	0703205	5T-WSK	1
6"	12-1/8" x 12-1/8"	0703206	6T-WSK	1

WALL SUPPORT KIT



Shields

ADJUSTABLE ATTIC INSULATION SHIELD

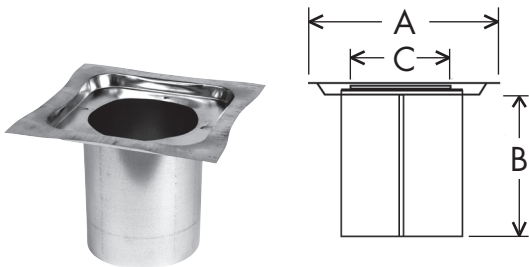


Note: 4" Attic Insulation Shield (not exactly as shown) is used together with the Firestop Joist Shield or Ceiling Support.

- The Adjustable Attic Insulation Shield with Dropdown must be installed where the chimney enters the attic space in any installation.
- Designed to keep insulation away from the chimney and to maintain the mandatory 2" clearance to combustibles.
- Adjustable from 12" to 22".
- Drop down shield protects joist area.

Size	A	B	C	D	E	Product Code	Part No.	Pack
4"	10"	6-1/8"	12"	11-13/16"	8-1/2"	HT4AIS	HT4AIS	1
5"	11-7/16"	7-3/16"	13"	12"-22"	8-1/2"	205492	5T-AAIS	1
6"	12-7/16"	8-3/16"	14"	12"-22"	8-1/2"	206492	6T-AAIS	1
7"	13-7/16"	9-3/16"	15"	12"-22"	8-1/2"	207492	7T-AAIS	1
8"	14-7/16"	10-3/16"	16"	12"-22"	8-1/2"	208492	8T-AAIS	1
10"	16-7/16"	12-3/16"	18"	12"-22"	8-1/2"	210492	10S-AAIS	1

FIRESTOP JOIST SHIELD (RADIATION DUST SHIELD)

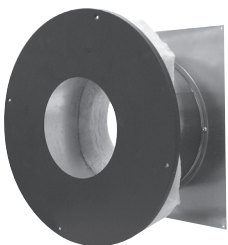


Note: 4" Firestop Radiation Shield (not exactly as shown)

Must be installed where the chimney passes from one living space to another living space.

Size	A	B	C	Product Code	Part No.	Pack
4"	10"	12"	6-1/8"	HT4FRS	N/A	1
5"	13"	12"	7-1/8"	205465	5T-JS	1
6"	14"	12"	8-1/8"	206465	6T-JS	1
7"	15"	12"	9-1/8"	207465	7T-JS	1
8"	16"	12"	10-1/8"	208465	8T-JS	1
10"	18"	12"	12-1/8"	210465	10S-JS	1

INSULATED WALL THIMBLE



Note: 4" Wall Radiation Shield (not exactly as shown)

- The Insulated Wall Thimble installs quickly and eliminates the need for using individual firestops. The round shielding acts as a radiation shield and provides the required 2" (air space) clearance to combustibles.
- The two sections telescope to accommodate 6" to 11" wall thickness.
- Interior wall plate painted black.

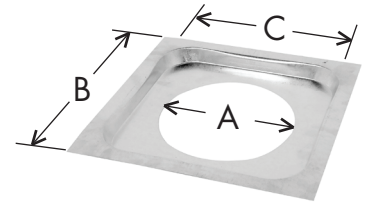
Size	Opening Required	Product Code	Part No.	Pack
4"	10-1/8" x 10-1/8"	HT4WRS	N/A	1
5"	11-1/8" x 11-1/8"	205463	5T-IWT	1
6"	12-1/8" x 12-1/8"	206463	6T-IWT	1
7"	13-1/8" x 13-1/8"	207463	7T-IWT	1
8"	14-1/8" x 14-1/8"	208463	8T-IWT	1
10"	16-1/8" x 16-1/8"	210463	10S-IWT	1

Shields continued

- The Firestop Spacer provides additional protection when the chimney passes through combustible materials.
- It can also be used to finish areas where the chimney passes through non-combustible materials.

Size	A	B	C	Product Code	Part No.	Pack
4"	6-1/8"	12"	N/A	HT4FS	N/A	1
5"	7-1/2"	13-1/2"	11"	708705	5T-FS	4
6"	8-1/8"	14"	12"	708706	6T-FS	12
7"	9-1/8"	15"	13"	708707	7T-FS	12
8"	10-1/8"	16"	14"	708708	8T-FS	12

FIRESTOP SPACER



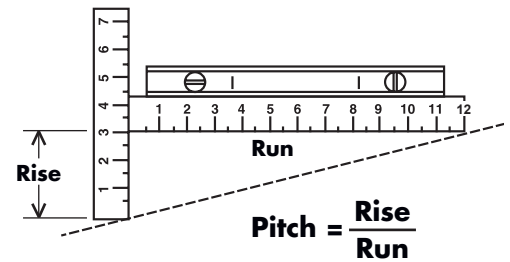
Note: 4" not exactly as shown.

Flashings

Flashings are used to seal the opening where the chimney penetrates the roof to divert rain and snow down from the roof and away from the chimney system.

A series of adjustable flashings are available depending on your roof pitch. To determine your roof pitch, measure the number of inches from the end of a level ruler down to the roof. This is the rise for 12 inches of run. A rise of 5 inches is a 5/12 pitch....4 inches, a 4/12 pitch, etc.

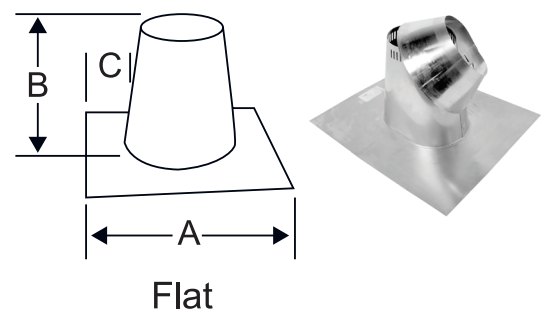
ROOF FLASHING SELECTION CHART



- Flashings are used to seal the opening where the chimney penetrates the roof and to divert rain and snow down from the roof and away from the chimney system.
- A flat and low pitch flashing is used to seal flat and low pitch roof (up to 2/12 pitch) openings.
- Storm Collar included with 5"-8" diameters.

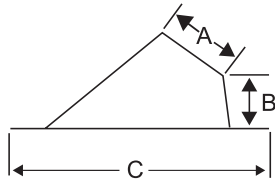
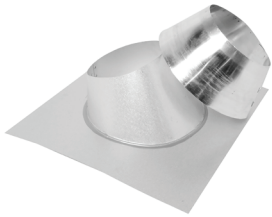
Size	A	B	C	Product Code	Part No.	Pack
4"	18"	10-1/2"	N/A	HT4TCF	N/A	1
5"	24"	12"	5-1/2"	0703805	5T-FF	1
6"	20"	12"	4"	0703806	6T-FF	1
7"	20"	12"	4"	0703807	7T-FF	1
8"	22"	12"	4"	0703808	8T-FF	1
10"	29-3/4"	12"	6"	210815	10S-TF	1

FLASHING (FLAT ROOF)



Note: Storm Collars sold separately for 4" and 10".

ADJUSTABLE FLASHING 1/12 TO 7/12

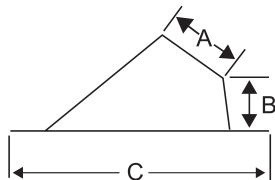
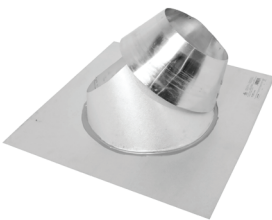


- Flashings are used to seal the opening where the chimney penetrates the roof and to divert rain and snow down from the roof and away from the chimney system.
- To determine your roof pitch, measure the number of inches from the end of a 12" level ruler down to the roof. This is the rise for 12" of run. A rise of 5" is a 5/12 pitch.
- Storm Collar included with 5" - 8" diameters.

Size	A	B	C	Product Code	Part No.	Pack
4"	6-1/4"	4"	20"	HT4ARF	N/A	1
5"	7-1/4"	4"	21"	0703505	5T-FA	1
6"	8-1/4"	4"	20"	0703506	6T-FA	1
7"	9-1/4"	4-3/4"	22"	0703507	7T-FA	1
8"	10-1/4"	4-3/4"	22"	0703508	8T-FA	1
10"	12-1/8"	5"	31-7/8"	210825	10S-AF6	1

Note: Storm Collars sold separately for 4" and 10".

ADJUSTABLE FLASHING 6/12 TO 12/12



- Flashings are used to seal the opening where the chimney penetrates the roof and to divert rain and snow down from the roof and away from the chimney system.
- To determine your roof pitch, measure the number of inches from the end of a 12" level ruler down to the roof. This is the rise for 12" of run. A rise of 5" is a 5/12 pitch; 4" a 4/12 pitch, etc.
- Storm Collar included with 5"-8" diameters.

Size	A	B	C	Product Code	Part No.	Pack
4"	6-1/4"	4-3/4"	22"	HT4SRF	N/A	1
5"	7-1/4"	4-3/4"	24-1/2"	0703605	5T-FAA	1
6"	8-1/4"	4-1/2"	22"	0703606	6T-FAA	1
7"	9-1/4"	4-1/2"	26"	0703607	7T-FAA	1
8"	10-1/4"	4-1/2"	26"	0703608	8T-FAA	1
10"	12-1/8"	8"	37-1/2"	210830	10S-AF12	1

Note: Storm Collars sold separately for 4" and 10".

Flashings continued

- Flashings are used to seal the opening where the chimney penetrates the roof and to divert rain and snow down from the roof and away from the chimney system.
- To determine your roof pitch, measure the number of inches from the end of a 12" level ruler down to the roof. This is the rise for 12" of run. A rise of 5" is a 5/12 pitch; 4" a 4/12 pitch etc.
- Storm collar sold separately.

Size	A	B	C	Product Code	Part No.	Pack
6"	8-1/4"	28-3/4"	40-3/4"	206835	6T-AF24	1
7"	9-1/4"	31-1/4"	43-1/4"	207835	7T-AF24	1
8"	10-1/4"	33-3/8"	45-3/8"	208835	8T-AF24	1

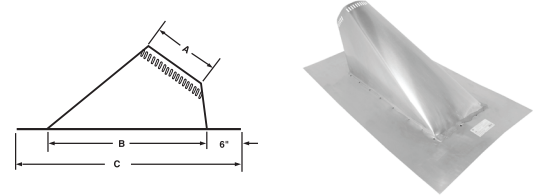
- This kit fits 5", 6", 7" and 8" chimneys.
- Used where the chimney passes through a corrugated roof.
- Rubber Boot Flashing fits roof pitches up to 12/12 (10/12 for 8").

THIS KIT INCLUDES:

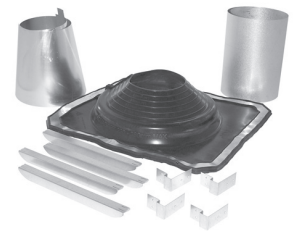
- Rubber Boot.
- Shield.
- Spacer Kit.
- Special Storm Collar and Mounting Hardware.

Size	Product Code	Part No.	Pack
5", 6", 7", 8"	200275	URBAK1	1

ADJUSTABLE FLASHING 12/12 TO 24/12

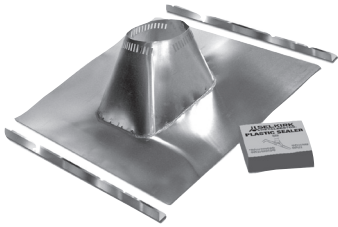


RUBBER BOOT FLASHING KIT



Flashings continued

METAL ROOF FLASHING KIT



Used in conjunction with Ultra-Temp Flashing to seal the opening when penetrating a corrugated metal roof.

Note: Flashing sold separately.

Size	Product Code	Part No.	Pack
4" to 8"	200280	UMRFK	1

STORM COLLAR

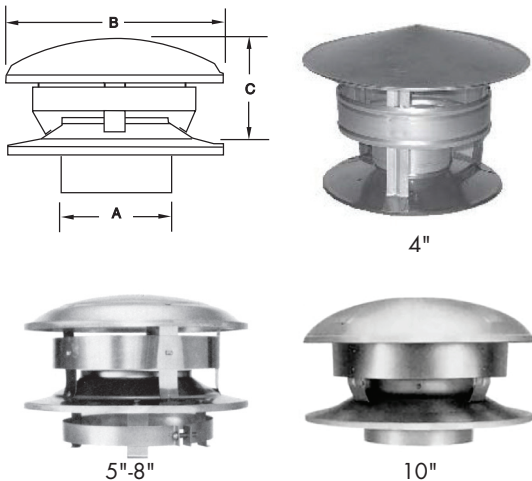


- The Storm Collar is designed to fit on the round chimney pipe just above the roof flashing.
- The upper edge of the Storm Collar should be waterproofed with non-hardening silicone caulking to prevent any water from leaking between the Storm Collar and chimney pipe.
- Part is tightened with screws or tabs after positioning.

Size	A	Product No.	Part No.	Pack
4"	6"	HT4SC	N/A	6
5"	7"	205612	5T-SC	6
6"	8"	206812	6T-SC	6
7"	9"	207812	7T-SC	6
8"	10"	208812	8T-SC	6
10"	12"	210810	10S-SC	1

Rain Caps/Round Tops

ROUND TOP



- Round Top designed with three legs that slide down over the outside of the chimney. A cinch band is then positioned over the legs and tightened to hold the top firmly in place.
- Made of stainless steel.

Size	A	B	C	Product Code	Part No.	Pack
4"	4"	11"	7-1/2"	HT4RC	N/A	1
5"	7"	10"	5"	205800	5T-CT	1
6"	8"	12"	5-1/2"	206800	6T-CT	1
7"	9"	14"	6-1/4"	207800	7T-CT	1
8"	10"	16"	7"	208800	8T-CT	1
10"	10"	20"	8-1/2"	210800	10S-CT	1

Note: The Round Top for 10" diameter is designed with a squeeze collar that fits inside the chimney pipe and a set screw which is tightened to hold the top firmly in place.

Rain Caps/Round Tops continued

- Part of the chimney system roof assembly, the Round Top is designed with a dome for protection against precipitation and to deflect wind for proper chimney draft.
- The EZ Round Top is designed to simply twist-lock in place on the top of the chimney. This design makes cap removal for cleaning a breeze.
- Made of stainless steel.

Size	A	B	Product Code	Part No.	Pack
5"	7"	10"	205802	5TEZ	1
6"	8"	12"	206802	6TEZ	1
7"	9"	14"	207802	7TEZ	1
8"	10"	16"	208802	8TEZ	1

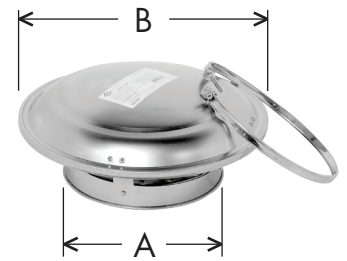
- Designed to address chimneys with downdraft issues.
- Diverts wind and rain to ensure flue gases are directed outward efficiently and effectively.
- Constructed of 300 Series Stainless Steel for strength and durability.
- Available in 5", 6", 7", 8" & 10" Diameters
- Listed and approved to UL 103HT

Size	A	B	C	Product No.	Part No.	Pack
5"	17-1/4"	6"	4-3/4"	195802	5DK	1
6"	19-1/4"	7"	5-3/4"	196802	6DK	1
7"	19-1/4"	8"	6-3/4"	197802	7DK	1
8"	19-1/4"	9"	7-3/4"	198802	8DK	1
10"	19-1/4"	11"	9-3/4"	1910802	10DK	1

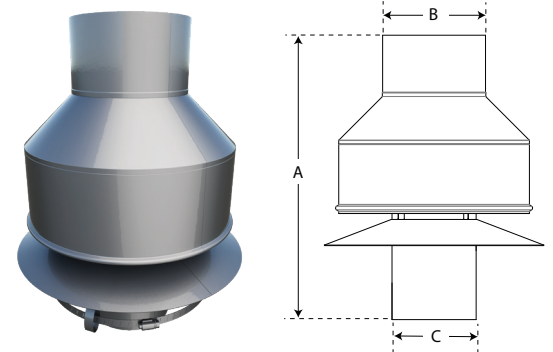
- The Spark Arrestor is a diamond mesh stainless steel screen that can be field installed on our CT round tops.
- Stainless steel mesh wire fits our Round Tops (5", 10"-14" T-CT).

Size	Product Code	Part No.	Pack
5"	205102	5T-SA	4
6"	206791	6T-USA	1
7"	207791	7T-USA	1
8"	208791	8T-USA	1
10"	210790	10S-SA	4

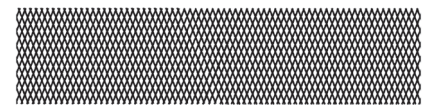
EZ ROUND TOP



DIKAPT CHIMNEY CAP



SPARK ARRESTER - 5", 10"

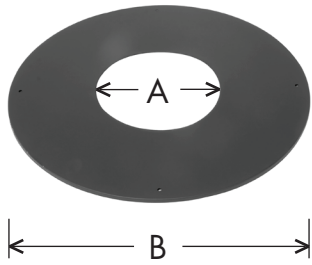


UNIVERSAL SPARK ARRESTER - 6"-8"



Miscellaneous Accessories

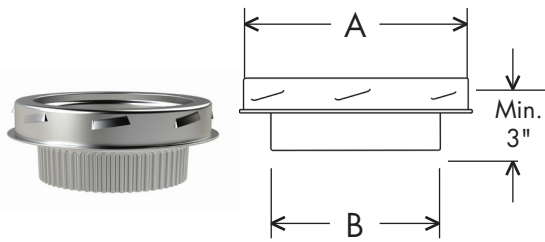
TRIM COLLAR



Provides a finished appearance where the chimney passes through a wall or ceiling.

Size	A	B	Product Code	Part No.	Pack
5"	7"	17"	0708505	5T-TC	4
6"	8"	18"	0708506	6T-TC	4
7"	9"	19"	0708507	7T-TC	4
8"	10"	20"	0708508	8T-TC	4

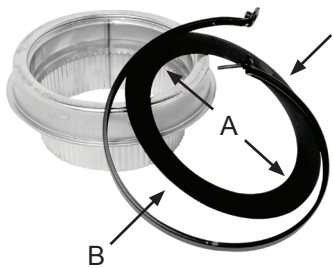
CHIMNEY PIPE ADAPTER



For connection to Connector Pipe.

Size	A	B	Product Code	Part No.	Pack
4"	6"	4"	HT4PA	N/A	4
5"	7"	5"	255240	5T-CPA	1
6"	8"	6"	256240	6T-CPA	1
7"	9"	7"	257240	7T-CPA	1
8"	10"	8"	258240	8T-CPA	1
10"	12"	10"	210240	10S-CPA	1

DECORATIVE ADAPTER (BLACK)



- For connection to Connector Pipe.
- Painted black for decorative finish.

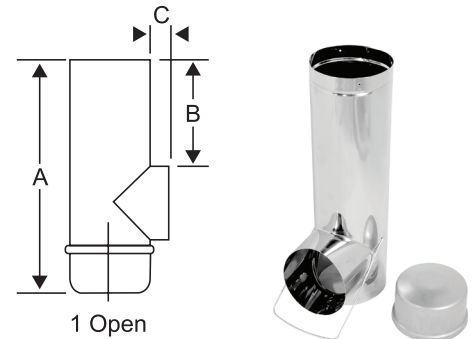
Size	A	B	Product Code	Part No.	Pack
5"	5-1/4"	7"	0709605	5T-DAD	1
6"	6-1/4"	8"	0709606	6T-DAD	1

Miscellaneous Accessories *continued*

- The Base Tee is always situated in the room with the heating appliance.
- Connector pipe between chimney and appliance should be as short as possible.
- Cap at bottom can be removed for inspection.
- Made of stainless steel.
- Includes cap.

Size	A	B	C	Product Code	Part No.	Pack
5"	12-1/4"	6-1/2"	2-1/2"	0704705	5T-BTS	6
6"	15-3/4"	5-1/2"	2-5/8"	0704706	6T-BTS	4
7"	16-3/4"	5-1/2"	2-5/8"	0704707	7T-BTS	4
8"	17-3/4"	5-1/2"	2-5/8"	0704708	8T-BTS	4

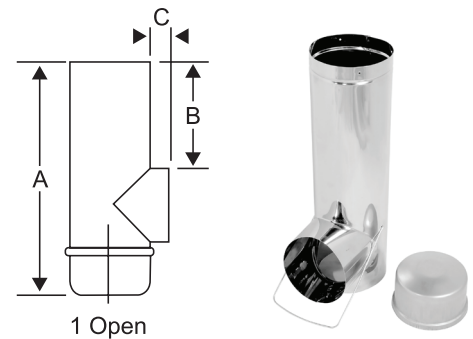
BASE TEE - 1 OPEN (STAINLESS STEEL)



- The Base Tee is always situated in the room with the heating appliance.
- Connector pipe between chimney and appliance should be as short as possible.
- Cap at bottom can be removed for inspection.
- Made of galvanized steel.
- Includes cap.

Size	A	B	C	Product Code	Part No.	Pack
5"	12-3/4"	6-1/2"	2-1/2"	0704805	5T-BTG	4
6"	15-3/4"	5-1/2"	2-5/8"	0704806	6T-BTG	4
7"	16-3/4"	5-1/2"	2-5/8"	0704807	7T-BTG	4
8"	17-3/4"	5-1/2"	2-5/8"	0704808	8T-BTG	4

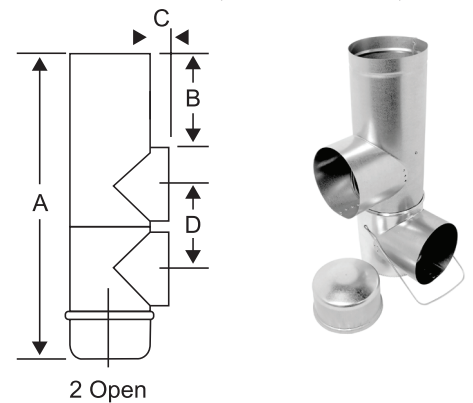
BASE TEE - 1 OPEN (GALVANIZED)



- The Base Tee is always situated in the room with the heating appliance.
- Used in conjunction with the connector pipe which should be as short as possible.
- Cap at bottom can be removed for inspection.
- Made of galvanized steel.
- Includes cap.

Size	A	B	C	D	Product Code	Part No.	Pack
6"	23-1/2"	5-1/2"	2-5/8"	7-3/4"	0704906	6T-BTG2	4
7"	25-1/2"	5-1/2"	2-5/8"	8-3/4"	0704907	7T-BTG2	4
8"	27-1/2"	5-1/2"	2-5/8"	9-3/4"	0704908	8T-BTG2	1

BASE TEE - 2 OPEN (GALVANIZED)



BASE TEE CAP (STAINLESS STEEL)



Made of stainless steel.

Size	Product Code	Part No.	Pack
7"	0705207	7T-BTC	4
8"	0705208	8T-BTC	4

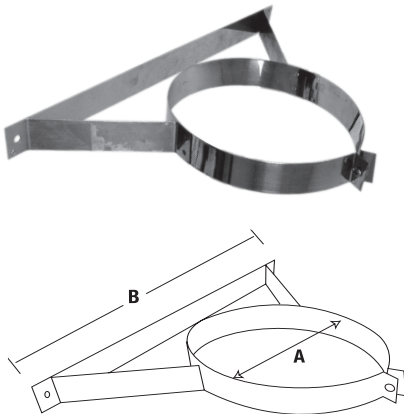
BASE TEE CAP (GALVANIZED)



Made of galvanized steel.

Size	Product Code	Part No.	Pack
6"	0705306	6T-BTCG	4
7"	0705307	7T-BTCG	4
8"	0705308	8T-BTCG	4

WALL BAND



- The Wall Band is used along the wall to provide for 2" clearance and assure stability.
- Required at 8' or closer intervals above the tee to stabilize the chimney.
- Stainless steel construction.

Size	A	B	Product Code	Part No.	Pack
4"	6"	14"	HT4WB	N/A	6
5"	7"	17"	205520	5T-WB	4
6"	8"	17"	206520	6T-WB	4
7"	9"	17"	207520	7T-WB	4
8"	10"	17"	208520	8T-WB	4
10"	12"	17"	210520	10S-WB	1

Miscellaneous Accessories continued

- The Universal Adjustable Wall Band is used along the wall to provide for 2" clearance and assure stability.
- Required at 8' or closer intervals above the tee to stabilize the chimney.
- Fits chimney diameters from 5" to 8".

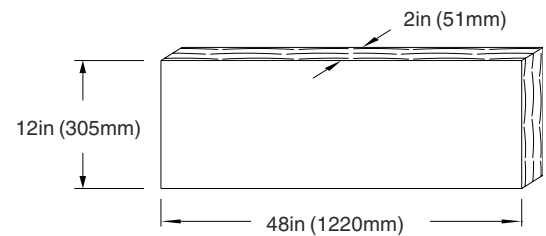
Size	Product Code	Part No.	Pack
5", 6", 7", 8"	200270	UWB	1

- Used with Attic Insulation Shield, Wall Thimble and Cathedral Box.
- Protects building material against radiant heat from the chimney.
- Helps maintain temperatures within the chimney system and helps reduce air infiltration into the dwelling.

UNIVERSAL ADJUSTABLE WALL BAND



UNIVERSAL SHIELDING INSULATION



- The Universal Roof Brace Kit is designed to provide extra stability for the chimney system above roof line, and is required when the chimney extends 5' or more above the roof.
- One kit should be used for every 5' of chimney.
- Includes telescoping legs that adjust from 5'-9' and a support band that adjusts to fit chimneys from 6" to 8" ID.

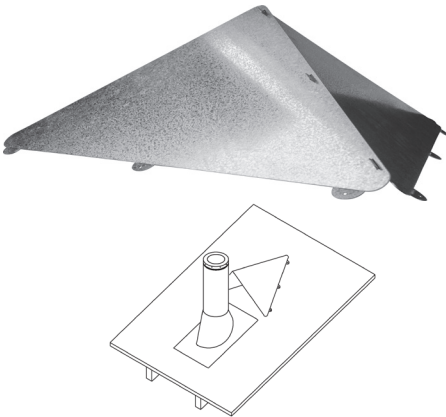
Size	Product Code	Part No.	Pack
6" to 8" ID	0843900	HDRBK	1

HEAVY DUTY UNIVERSAL ROOF BRACE KIT



Miscellaneous Accessories *continued*

SNOW SPLITTER

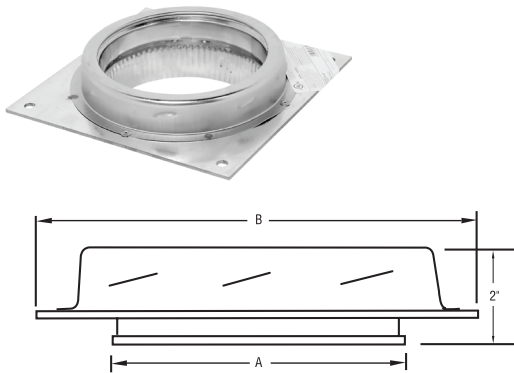


- Designed to deflect snow and ice while preventing unnecessary strain or damage to the chimney.
- Mounts directly above the chimney pipe with an easy panel assembly.
- Made from durable, heavy gauge galvanized steel.

Size	Product Code	Part No.	Pack
4" to 8"	2001922	USSA	1

Fireplace Parts

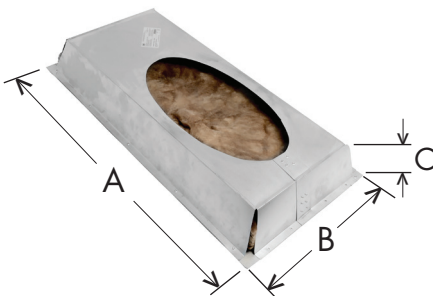
ANCHOR PLATE



- The Anchor Plate can be used for adapting the UT Chimney to a "Listed" Factory-Built fireplace certified for use with model UT. Follow the installation instructions accompanying the fireplace.
- Stainless steel and heavy gauge steel construction for long life.
- Retains chimney with a twist-lock connection.
- Supports up to 85' (4" supports up to 50').

Size	A	B	Product Code	Part No.	Pack
4"	4"	7-1/4"	HT4AP	N/A	1
6"	6"	9-1/4"	206400	6T-AP	1
7"	7"	10-1/4"	207400	7T-AP	1
8"	8"	11-1/4"	208400	8T-AP	1
10"	10"	13-1/4"	210400	10S-AP	1

45° OFFSET WALL PLUG



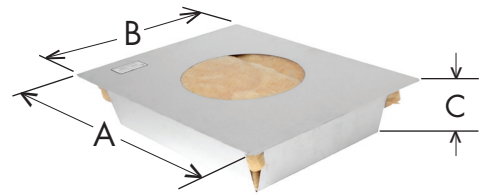
- Use only with wood-burning fireplaces which have been certified for use with Selkirk's 1" chimney.
- Designed for 6" and 7" diameters of 30° or 45° Elbow Kit to go through an outside wall on an angle.
- Designed to fit into a 16" centre framed wall, in conjunction with a Wall Resupport.
- See packaged instructions for details.

A	B	C	Product Code	Pack
34"	17"	4"	JSC7WC	1

Fireplace Parts *continued*

- The Insulated Chase Plug will maintain the thermal envelope of the house.
- Used only with wood-burning fireplaces which have been certified for use with Selkirk's 1" insulated chimney.
- Designed for 6" and 7" diameters and must be installed from the bottom side of a 15" square opening.
- See packaged instructions for more details.

CHASE PLUG



A	B	C	Product Code	Pack
17"	17"	4"	JSC7CP	1



BUILD FOR THE FUTURE

Our Portfolio of Brands

AirMate®	www.airmate.com
AmeriFlow®	www.ameriflowregisters.com
Amerivent®	www.ameri-vent.com
AMPCO®	www.ampcostacks.com
Builder's Best®	www.buildersbest.com
Duravent™	www.duravent.com
Hart & Cooley®	www.hartandcooley.com
Heatfab®	www.heatfab.com
Lima®	www.limaregister.com
Milcor®	www.milcorinc.com
Portals Plus™	www.portalsplus.com
RPST™	www.rpscyrbs.com
Security Chimneys®	www.securitychimneys.com
Selkirk®	www.selkirkcorp.com

Corporate Headquarters

Duravent Group
28 W. Adams, Suite 1810
Detroit, MI 48226
Tel: 800.835.4429
Email: info@duraventgroup.com
www.duraventgroup.com

Contact Us

For more information about our products or to contact us directly, please go to any of our websites and click on the Contact section on the website.



duravent[™]
GROUP

BUILD FOR THE FUTURE

www.duraventgroup.com



For warranty information:
Scan this QR code or visit
www.duraventgroup.com/warranties