



SURE-TEMP[®]

Chimney Catalog

FUEL TYPE: GAS | OIL | WOOD

USA ONLY



TABLE OF CONTENTS

Technical Data Sheet	3
Chimney Lengths	4-5
Elbows and Tees	6-9
Supports	9-13
Chimney Kits	13-15
Round Tops.....	16
Flashings.....	17-19
Shields.....	20-21
Adapters.....	22
Accessories	23-24
Typical Installations	25-27

SURE-TEMP® HT/SURE-TEMP®

TECHNICAL DATA SHEET



IMPORTANT

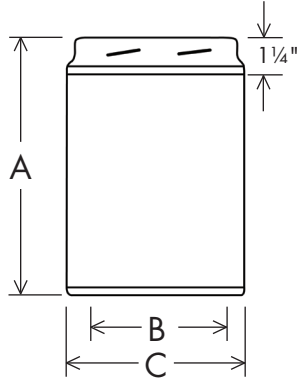
This catalog references Selkirk Chimney Systems with maximum test temperatures under Underwriters Laboratories Safety Standard for Factory-Built Chimneys.

Diameter Sizes:	5", 6", 7" & 8"	10"
Clearances:	2" of Airspace to Combustibles	2" of Airspace to Combustibles
Listing:	UL 103 HT	UL 103
Temperature Ratings:	2100°F (Maximum Test 10 min.) 1400°F (Maximum for 60 min.) 1000°F (Maximum Continuous Operating Temperatures)	1700°F (Maximum Test 10 min.) 1400°F (Maximum for 60 min.) 1000°F (Maximum Continuous Operating Temperatures)

The Selkirk® Chimney System (SCS) is ideal for venting residential heating appliances burning wood, #2 oil, and natural and LP gas. It has been specifically designed for today's modern, high-efficiency "airtight" wood stoves. It is designed for gravity (natural draft), nonpositive internal pressure venting only. The SCS is usable on any appliance having a power burner (such as an oil furnace) if that appliance operates with neutral or negative draft at its outlet. Non-residential appliances which may cause positive pressure in the chimney should use a Selkirk Commercial Model PS or IPS system.

Chimney Lengths

INSULATED LENGTHS



- Available in lengths of 6", 12", 18", 24", 36" and 48".
- Available in diameters of 5", 6", 7", 8", and 10".
- All insulated lengths are packaged with a Locking Band.
- Secure twist-lock design couples chimney sections together with just a 1/8 turn.
- To calculate installed length, subtract 1-1/4" per joint.
- Insulated chimney requires 2" clearance to combustible material.

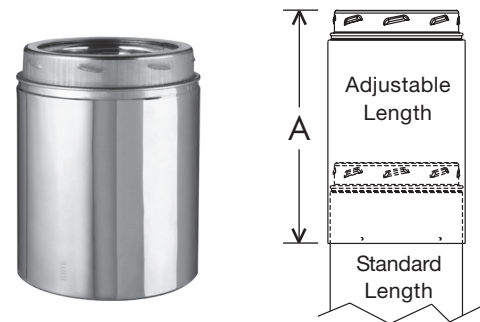
Size	A	B	C	Product Code	Part No.	Pack
6"	48"	6"	8"	206148	6ST-48	1
7"	48"	7"	9"	207148	7ST-48	1
8"	48"	8"	10"	208148	8ST-48	1
5"	36"	5"	7"	205036	5ST-36	1
6"	36"	6"	8"	206036	6ST-36	1
7"	36"	7"	9"	207036	7ST-36	1
8"	36"	8"	10"	208036	8ST-36	1
10"	36"	10"	12"	210036U	10U-36	1
6"	24"	6"	8"	206024	6ST-24	1
7"	24"	7"	9"	207024	7ST-24	1
8"	24"	8"	10"	208024	8ST-24	1
10"	24"	10"	12"	210024U	10U-24	1
5"	18"	5"	7"	205018	5ST-18	1
6"	18"	6"	8"	206018	6ST-18	1
7"	18"	7"	9"	207018	7ST-18	1
8"	18"	8"	10"	208018	8ST-18	1
10"	18"	10"	12"	210018U	10U-18	1
5"	12"	5"	7"	205012	5ST-12	1
6"	12"	6"	8"	206012	6ST-12	1
7"	12"	7"	9"	207012	7ST-12	1
8"	12"	8"	10"	208012	8ST-12	1
10"	12"	10"	12"	210012U	10U-12	1
5"	6"	5"	7"	205006	5ST-6	1
6"	6"	6"	8"	206006	6ST-6	2
7"	6"	7"	9"	207006	7ST-6	2
8"	6"	8"	10"	208006	8ST-6	2
10"	6"	10"	12"	210006U	10U-6	1

Chimney Lengths continued

- Overall length of 12".
- Adjustable from 2" to 9-1/2".
- Used in offset applications.
- Supplied with Locking Band.

Size	A	Product Code	Part No.	Pack
5"	12"	205011U	5UT-11AJ	1
6"	12"	206011U	6UT-11AJ	1
7"	12"	207011U	7UT-11AJ	1
8"	12"	208011U	8UT-11AJ	1

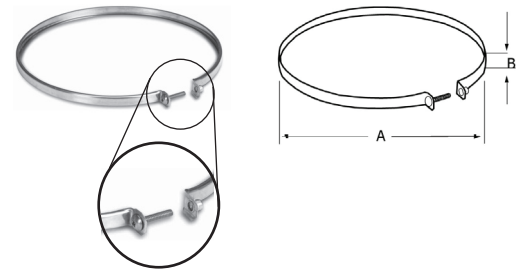
ADJUSTABLE LENGTHS



NOTE: Adjustable Lengths must be installed above a fixed length - they cannot be installed immediately above a support, tee or elbow.

- Versatile, simple device for increasing stability of a chimney.
- Inward flanges around the band fit into grooves at chimney length joints.
- Reinforces joints of chimney and prevents accidental uncoupling.
- Locking Band is included with all insulated lengths, tees and elbow kits.
- Made of stainless steel.

LOCKING BANDS



Size	A	B	Product Code	Part No.	Pack
5"	7"	7/16"	205450	5T-LB	4
6"	8"	7/16"	206450	6T-LB	4
7"	9"	7/16"	207450	7T-LB	4
8"	10"	7/16"	208450	8T-LB	4
10"	12"	7/16"	210450	10S-LB	4

Elbows and Tees

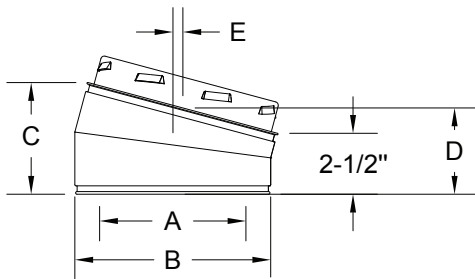
15°/30° INSULATED ELBOW KITS



- **Kits Include:** 2 Elbows, 2 Locking Bands and Interior Resupport in one box.
- **REQUIRED:** Locking bands (two packaged with each elbow kit) allow 360 degree rotation and lock the components together at the exact offset required. Elbows can be used on the same two-inch air space clearance as chimney sections.
- The first vertical length of chimney above an offset should be resupported, using an Interior Resupport Assembly securely clamped to the pipe just below a Locking Band, with its straps nailed to a nearby structure.

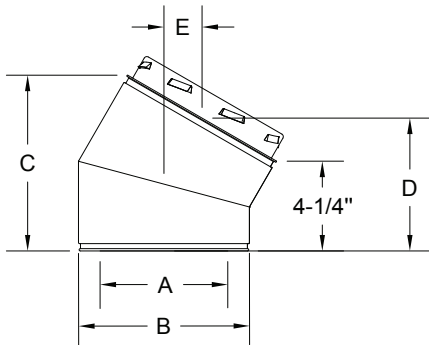
Note: For more information see *Installation Instructions* or visit www.selkirkcorp.com

15° INSULATED ELBOW KIT



Size (A)	B	C	D	E	Product Code	Part No.	Pack
5"	7"	4-5/16"	3-7/16"	3/8"	205206	5T-EL15 KIT	1
6"	8"	4-9/16"	3-9/16"	3/8"	206206	6T-EL15 KIT	1
7"	9"	4-7/8"	3-11/16"	7/16"	207206	7T-EL15 KIT	1
8"	10"	5-1/8"	3-3/4"	7/16"	208206	8T-EL15 KIT	1
10"	12"	5-5/8"	4-1/16"	1/2"	210206	10S-EL15 KIT	1

30° INSULATED ELBOW KIT



Size (A)	B	C	D	E	Product No.	Part No.	Pack
5"	7"	8"	6-1/4"	1-3/4"	205211	5T-EL30 KIT	1
6"	8"	8-1/4"	6-1/4"	1-3/4"	206211	6T-EL30 KIT	1
7"	9"	9-1/4"	7"	2"	207211	7T-EL30 KIT	1
8"	10"	10"	7-3/8"	2-1/8"	208211	8T-EL30 KIT	1
10"	12"	10"	7"	2"	210211	10S-EL30 KIT	1

Elbows and Tees continued

- Allows the horizontal connection of the chimney to the appliance.
- Can be used on the interior or exterior of the building, in combination with a Wall Support Assembly.
- The Tee Cap provided allows access for inspection and cleaning.
- Includes Locking Band.

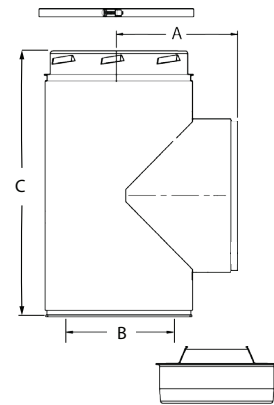
STAINLESS INSULATED TEE WITH INSULATED TEE PLUG - TYPE HT

Size	A	B	C	Product No.	Part No.	Pack
5"	6-3/8"	5-1/16"	13-7/8"	205100	5T-IT	1
6"	6-1/2"	6-1/16"	14-1/8"	206100	6T-IT	1
7"	7"	7-1/16"	15-1/8"	207100	7T-IT	1
8"	7-1/2"	8-1/16"	16-1/8"	208100	8T-IT	1

STAINLESS INSULATED TEE WITH INSULATED TEE PLUG

Size	A	B	C	Product No.	Part No.	Pack
10"	8-1/2"	10-1/16"	18-1/8"	210100	10S-IT	1

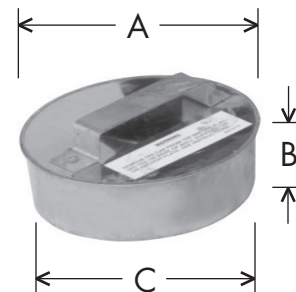
INSULATED TEE AND PLUG



- Removable to provide easy access for chimney maintenance and inspection.
- Insulated to help maintain flue gas temperature.

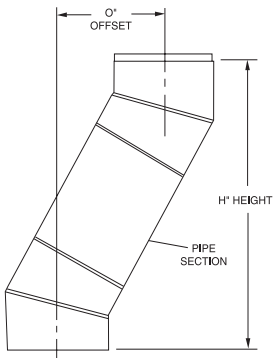
Size	A	B	C	Product Code	Part No.	Pack
5"	5-3/8"	2"	4-15/16"	205102	5T-IP	1
6"	6-3/8"	2"	5-15/16"	206102	6T-IP	1
7"	7-3/8"	2"	6-15/16"	207102	7T-IP	1
8"	8-3/8"	2"	7-15/16"	208102	8T-IP	1
10"	10-3/8"	2"	9-15/16"	210102	10S-IP	1

INSULATED TEE PLUG



Chimney Offset Table

Part No.	2 Elbows w/o Pipe		2 Elbows + 6" Section		2 Elbows + 9" Section		2 Elbows + 12" Section		2 Elbows + 18" Section		2 Elbows + 24" Section		2 Elbows + 36" Section		2 Elbows + 48" Section	
	O	H	O	H	O	H	O	H	O	H	O	H	O	H	O	H
5ST HT - EL 15°	7/8"	6-13/16"	2-1/16"	1-1/8"	2-3/16"	14"	3-9/16"	17"	5-1/8"	22-3/4"	6-11/16"	28-1/2"	9-13/16"	40-1/8"	N/A	N/A
6ST HT - EL 15°	15/16"	7-1/16"	2-1/8"	11-3/8"	2-7/8"	14-1/4"	3-5/8"	17-1/4"	5-3/16"	23"	6-3/4"	28-3/4"	9-7/8"	40-3/8"	13"	52"
7ST HT - EL 15°	1"	7-5/16"	2-1/8"	11-11/16"	2-5/16"	14-9/16"	3-11/16"	17-7/16"	5-1/4"	23-1/4"	6-13/16"	29-1/16"	9-7/8"	40-5/8"	13"	52-1/4"
8ST HT - EL 15°	1"	7-9/16"	2-3/16"	11-15/16"	2-15/16"	14-13/16"	3-11/16"	17-11/16"	5-1/4"	23-1/2"	6-13/16"	29-5/16"	9-15/16"	40-7/8"	13-1/16"	52-1/2"
5ST HT - EL 30°	3-3/8"	12-9/16"	4-9/16"	16-7/8"	5-5/16"	19-3/4"	6-1/16"	22-3/4"	7-5/8"	28-1/2"	9-3/16"	34-1/4"	12-5/16"	45-7/8"	N/A	N/A
6ST HT - EL 30°	3-3/8"	12-9/16"	4-9/16"	16-7/8"	5-5/16"	19-3/4"	6-1/16"	22-3/4"	7-5/8"	28-1/2"	9-3/16"	34-1/4"	12-5/16"	45-7/8"	15-7/16"	57-1/2"
7ST HT - EL 30°	3-3/4"	14-1/16"	4-15/16"	18-7/16"	5-11/16"	21-5/16"	6-7/16"	24-3/16"	8"	30"	9-9/16"	35-13/16"	12-11/16"	47-3/8"	15-13/16"	59"
8ST HT - EL 30°	4"	14-13/16"	5-1/8"	19-3/16"	5-15/16"	22-1/16"	6-11/16"	24-15/16"	8-1/4"	30-3/4"	9-13/16"	36-9/16"	12-7/8"	48-1/8"	16"	59-3/4"
10ST - EL 15°	1-1/16"	8-1/8"	2-1/4"	12-1/2"	3"	15-3/8"	3-3/4"	18-1/4"	5-5/16"	24-1/16"	6-7/8"	29-7/8"	10"	41-7/16"	N/A	N/A
10ST - EL 30°	3-3/4"	14"	4-15/16"	18-3/8"	5-11/16"	21-1/4"	6-7/16"	24-1/8"	8"	29-15/16"	9-9/16"	35-3/4"	12-11/16"	47-5/16"	N/A	N/A



O = Offset; H = Height

NOTE: O = Offset; H = Height

All dimensions and indicated lengths assume a 1.25" overlap... 5" through 10"; 15 degree elbows are new 2 gore design.

Supports

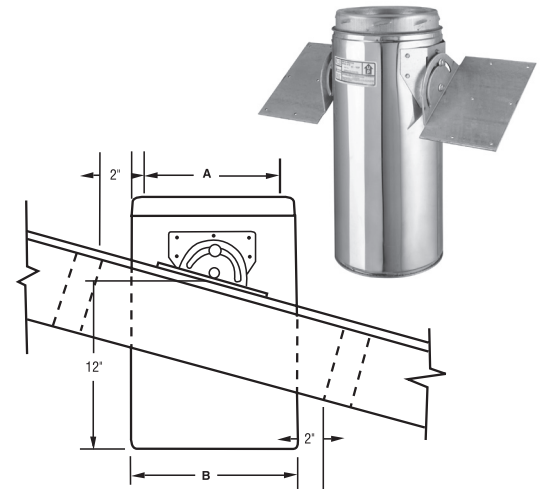
- An ideal support for open cathedral ceiling installations. It adapts to all roof pitches and requires only simple framing.
- Package Includes: 2 Chimney Plates, 2 Roof Brackets, an 18" Chimney Length and hardware.
- Maximum length of chimney which can be suspended below the roof support is twenty (20) feet. Maximum total length (both above and below) is thirty (30) feet.
- The Roof Bracket & Plates can be purchased separately without Chimney pipe and is called a Roof Support Kit (RSK).
- The RSK brackets may be assembled to any standard pipe length at any desired height.
- Locking Bands must be used at each pipe joint when installing either the RSP or RSK.

Size	A	B	Framing	Product Code	Part No.	Pack
	(works on all diameters)			200420	RSK	1
5"	5"	7"	11" x t"	205420	5T-RSP	1
6"	6"	8"	12" x t"	206420	6T-RSP	1
7"	7"	9"	13" x t"	207420	7T-RSP	1
8"	8"	10"	14" x t"	208420	8T-RSP	1
10"	10"	12"	16" x t"	210420	10S-RSP	1

- Flexibility of securing the 5", 6", 7" or 8" inch diameter chimney with a heavy duty band.
- The band allows you to slide the installed length vertically to properly position this section in the system. Installation requirements are the same as our standard RSP.
- The URSA can hold 30 feet of pipe total – up to 20 feet can be below.

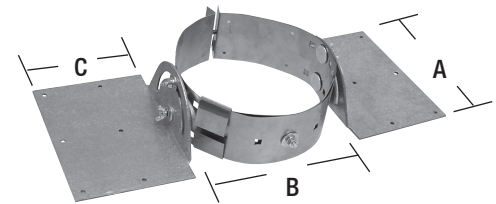
Size	A	B	C	Product Code	Part No.	Pack
5" - 8"	8"	Adjustable 7"-10"	5-3/4"	200250	URSA	1

ROOF SUPPORT PACKAGE

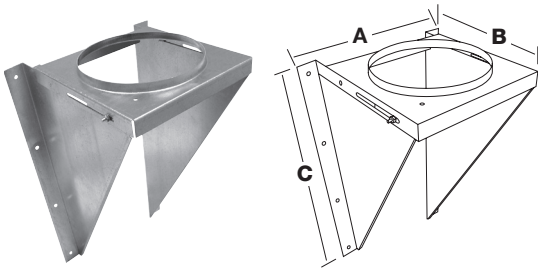


Note: * An 18" Chimney length included with RSP Roof Support Package.
 * Framing dimension for the installation of the RSK is identical to the RSP dimension. "t" varies with slope.

UNIVERSAL ROOF SUPPORT ASSEMBLY



WALL SUPPORT KIT

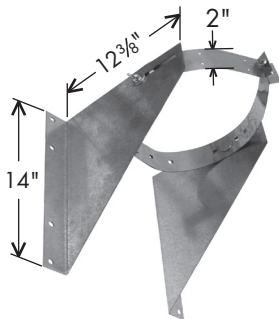


Note: 5"-10" will allow for an adjustment of 2" to 6" from a vertical wall.

- The Type HT Wall Support Kit has been tested for use fully enclosed and has been designed in 5", 6", 7" and 8" sizes to carry up to 60 feet of height at 2 inches from wall.
- The capacity of the 10" is 40 feet of chimney.
- The Wall Support is intended for use with the Insulated Tee as an interior or exterior support where the chimney has a lateral connection.
- It is also useful where the pipe connection passes through a combustible interior or exterior wall.

Size	A	B	C	Product Code	Part No.	Pack
5"	12"	10-5/8"	18-7/8"	205430	5T-WSK	1
6"	12"	10-5/8"	18-7/8"	206430	6T-WSK	1
7"	13"	11-5/8"	20-1/2"	207430	7T-WSK	1
8"	14"	12-5/8"	21-7/8"	208430	8T-WSK	1
10"	16"	14-5/8"	25-1/4"	210430	10S-WSK	1

UNIVERSAL WALL SUPPORT / RESUPPORT ASSEMBLY



Note: 4" of horizontal adjustability on 6" diameter pipe.

- Designed to support a vertical installation above the tee or above an offset. It can also serve as an intermediate support.
- This universal design will work on 5", 6", 7" and 8" diameters.

Size	Product Code	Part No.	Pack
5", 6", 7", 8"	200260	UWRSA	1

VERTICAL SUPPORT CHART	
Diameter	Height of Support
5"	29'
6"	28'
7"	25'
8"	20'

Supports continued

- Required to support offset at the immediate section of chimney above the upper elbow of an offset.
- Supports 18 feet.
- Straps are 17.5 inch in length.

Size	Product Code	Part No.	Pack
5"	205435	5T-IR	1
6"	206435	6T-IR	1
7"	207435	7T-IR	1
8"	208435	8T-IR	1
10"	210435	10S-IR	1

- Incorporates the flexibility to work on 5", 6", 7" and 8" diameters and is an excellent method for resupporting chimney systems that have offsets or vertical runs that require additional support (up to 18 feet).

Size	Product Code	Part No.	Pack
5"- 8"	200230	UIRA	1

- The Finish Ceiling Support (FSP) in 6" and 8" sizes, is available with either a round or square trim plate.
- With proper framing, all ceiling supports assure at least 2 inch minimum clearance to combustibles at the support level and can carry up to 50 feet of vertical chimney height.

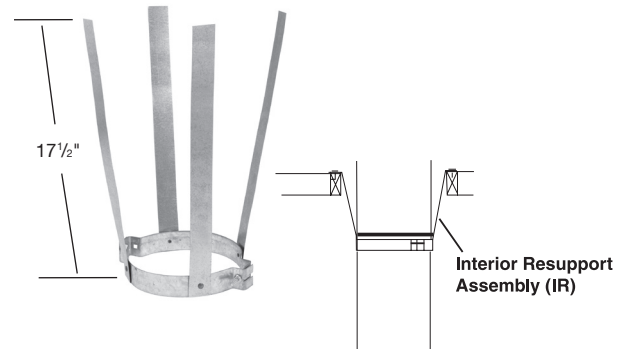
Round Plate

A	B	C	D	Product Code	Part No.	Pack
5-1/4"	11-1/4" x 11-1/4"	17"	3-1/2"	205411	5T-CSPR	1
6-1/4"	12-1/4" x 12-1/4"	19"	3-1/2"	206411	6T-FSPR	1
8-1/4"	14-1/4" x 14-1/4"	22"	3-1/2"	208411	8T-FSPR	1

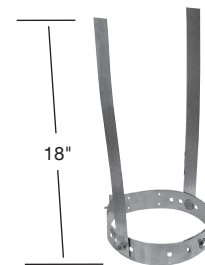
Square Plate

A	B	C	D	Product Code	Part No.	Pack
6-1/4"	12-1/4" x 12-1/4"	14-1/4"	3-1/2"	206410	6T-FSP	1
7-1/4"	13-1/4" x 13-1/4"	15-1/4"	3-1/2"	207410	7T-FSP	1
8-1/4"	14-1/4" x 14-1/4"	16-1/4"	3-1/2"	208410	8T-FSP	1
10-1/4"	16-1/4" x 16-1/4"	18-1/2"	3-1/2"	210415	10S-CSP	1

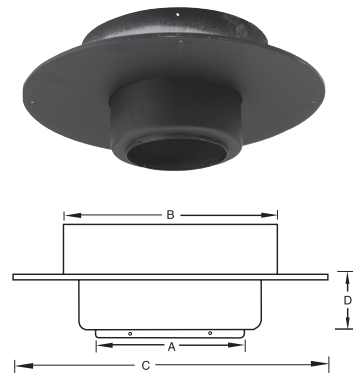
INTERIOR RESUPPORT



UNIVERSAL INTERIOR RESUPPORT

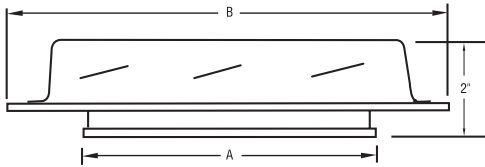
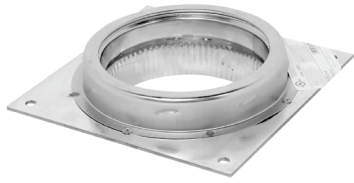


CEILING SUPPORT



NOTE: The Ceiling Support (CSP) in 10 inch size is unpainted and comes with a square trim plate only.

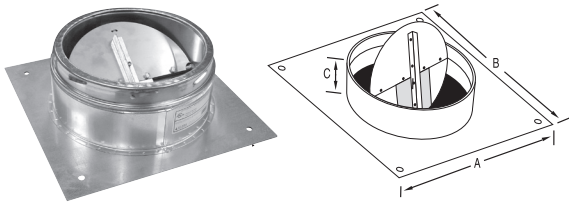
ANCHOR PLATE



- The Anchor Plate provides a secure attachment for the chimney to smoke chamber outlet on masonry fireplaces, reducing footing loads and speeding construction.
- Stainless steel and heavy gauge steel construction for long life.
- Retains chimney with a twist-lock connection.
- Supports up to 85 feet.

Size	A	B	Product Code	Part No.	Pack
6"	6"	9-1/4"	206400	6T-AP	1
7"	7"	10-1/4"	207400	7T-AP	1
8"	8"	11-1/4"	208400	8T-AP	1
10"	10"	13-1/4"	210400	10S-AP	1

ANCHOR PLATE WITH DAMPER



- The Anchor Plate provides a secure attachment for the chimney to smoke chamber outlet on masonry fireplaces, reducing footing loads and speeding construction.
- Stainless steel and heavy gauge steel construction for long life.
- Supports up to 85 feet.
- Easy to operate built in damper for masonry fireplaces.
- Included is 6 feet of rope wire for easy operation of damper.

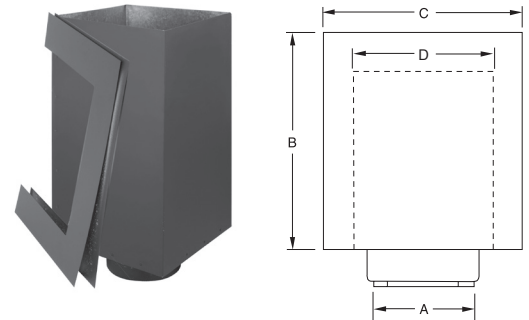
Size	A	B	C	Product Code	Part No.	Pack
10"	16"	16"	5.13"	210404	10S-APD	1

Supports continued

- The Support Box is intended for use when installing chimney in an A-frame, in a mobile home, in an unfinished ceiling, or in a ceiling under a narrow section of roof.
- It provides a finished installation at the ceiling level and will support up to 20 feet of 6", 7" or 8" diameter chimney.
- The part also provides shielding from insulation when installed in an unoccupied attic space.
- The Support Box assembly is comprised of a black box designed for installation inside 16 inch O.C. joists, a cylindrical shield, support bucket, ceiling trim, and four screws.
- Black Matte Finish.

Size	A	B	C	D	Product Code	Part No.	Pack
6"	6-1/4"	24"	14-1/4"	10"	206424	6T-SB	1
7"	7-1/4"	24"	14-1/4"	11"	207424	7T-SB	1
8"	8-1/4"	24"	14-1/4"	12"	208424	8T-SB	1

SUPPORT BOX / CATHEDRAL CEILING / MOBILE HOME SUPPORT



NOTE: * Designed for 16 inch O.C. joists.
* Add SUSI to this part for increased performance and safety. (See page 21)

Chimney Kits

- Includes the basic components for a standard installation. Contents: CT, AF-6 & SC.

Size	Product Code	Part No.	Description	Pack
6"	206600	6T-RTK	Roof Termination Kit (2/12 - 6/12)	1
8"	208600	8T-RTK	Roof Termination Kit (2/12 - 6/12)	1

ROOF TERMINATION KIT (RTK)

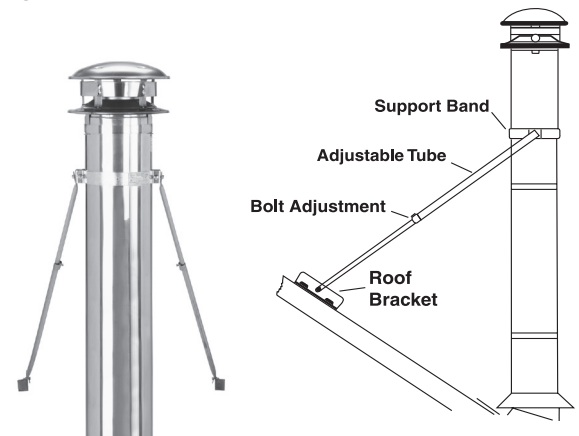


- A Roof Brace Kit can be used whenever there is a need to stabilize the chimney above the roof level.
- The Roof Brace Kit should be used at a midpoint on the chimney.
- Braces adjust from 4 to 7.5 feet.

Size	Product Code	Part No.	Pack
5"-8"	200240	URBK	1
6"	206440	6T-RBK	1
7"	207440	7T-RBK	1
8"	208440	8T-RBK	1

Roof Brace Kit Requirement	
up to 4'	None
5' to 10'	1
over 10'	1 every 5'

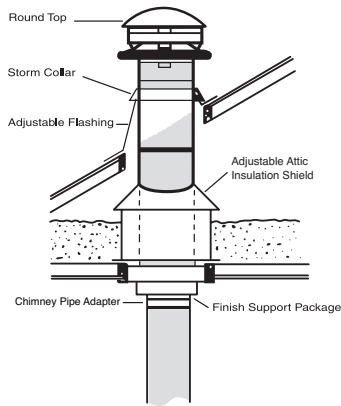
ROOF BRACE KIT



Sure-Temp HT Chimney Kits

Three basic Chimney Kits designed around one of the standard support systems. Select the kit that is right for your installation along with the required insulated pipe sections and you'll have what you need to complete most installations.

FLAT CEILING SUPPORT KIT (FCK)



- Provides the support package and termination parts for a chimney that is supported by a flat ceiling, passes through an attic area and penetrates a 2/12 to 6/12 pitch roof. Just add Pipe Lengths and the Flat Ceiling Support Kit (FCK) has all necessary parts for complete installation.
- Depending upon your roof design and the position of your chimney on the roof, it may be necessary to install a Roof Brace Kit to provide required stability for your chimney above the roof.
- An Attic Insulation Shield is a required part of the installation even if you have no insulation in the area where your chimney passes through the attic. The only exception to this AAIS installation is if you install a full enclosure around the chimney in the attic area at the minimum two inch clearance.

Contents:

- Round Top **CT**
- Adjustable Attic Insulation Shield **AAIS**
- Storm Collar **SC**
- Finish Support Pkg. **FSP**
- Adjustable Flashing **AF-6**
- Chimney Pipe Adapter **CPA**

Size	Product No.	Part No.	Description	Pack
6"	206493	6T-FCK-N	Flat Ceiling Support Kit	1
8"	208493	8T-FCK-N	Flat Ceiling Support Kit	1

Chimney Kits continued

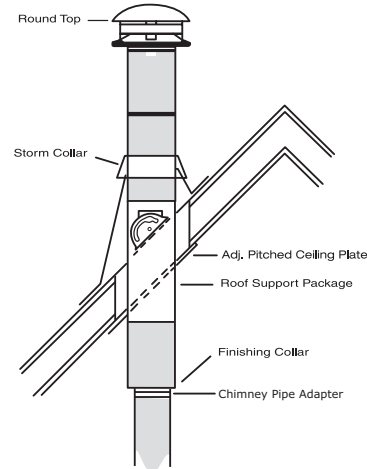
- For installation of a chimney in a cathedral or pitched ceiling such as standard A-Frame construction.
- The Pitched Ceiling Support Kit provides all necessary parts for a complete installation with the exception of the required Insulated Pipe Lengths and Adjustable Flashing (AF). Selection of the Adjustable Flashing is determined by the pitch of your roof as explained on page 17.
- In calculating the number of insulated Pipe Lengths your chimney run requires, note that the Roof Support Package (RSP) comes with one 18" pipe length as part of the support.
- Depending on the height of pipe above the roof, a Roof Brace Kit may be required. See page 13.

Size	Product No.	Part No.	Description	Pack
6"	206494	6T-PCK-N	Pitched Ceiling Support Kit	1
8"	208494	8T-PCK-N	Pitched Ceiling Support Kit	1

Contents:
 Round Top
 Storm Collar
 Finishing Collar
 Roof Support Pkg.
 Adj. Pitched Ceiling Plate
 Chimney Pipe Adapter

CT
SC
FC
RSP
PCPAJ
CPA

PITCHED CEILING SUPPORT KIT (PCK)



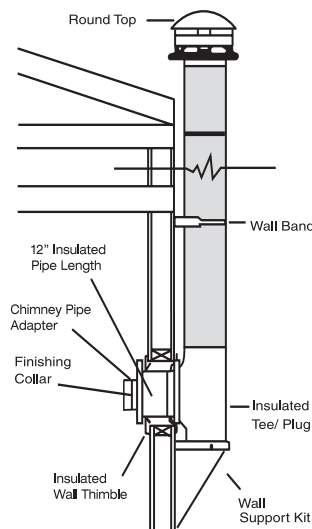
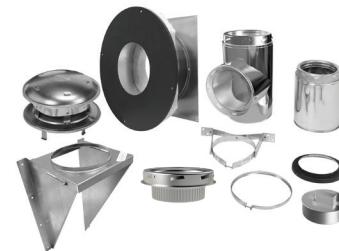
- For a wall-supported chimney system with a horizontal connector passing through an exterior wall, connecting to a Tee and running vertically up the exterior wall to termination above the roof line. The Thru-the-Wall Support Kit provides all necessary parts for a complete installation with the exception of required Insulated Pipe Lengths to reach your desired chimney height.
- One Wall Band (WB) is included in the kit. Additional Wall Bands could be required if your vertical chimney run is more than 16 feet high. In the event that your vertical chimney run penetrates the roof eave, your installation could also require an Adjustable Flashing (AF) and Storm Collar (SC).
- Depending on the height of pipe above the roof, a Roof Brace Kit may be required. See page 13.

Size	Product No.	Part No.	Description	Pack
6"	206495	6T-TWK-N	Thru-the-Wall Support Kit	1
8"	208495	8T-TWK-N	Thru-the-Wall Support Kit	1

Contents:
 Round Top
 12" Insulated Pipe Length
 Wall Band
 Insulated Tee/Plug
 Finishing Collar
 Wall Support Kit
 Chimney Pipe Adapter
 Insulated Wall Thimble

CT
T-12
WB
IT
FC
WSK
CPA
IWT

THRU-THE-WALL SUPPORT KIT (TWK)

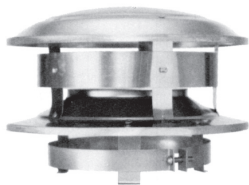


USE DSP STOVE PIPE FOR OPTIMUM SYSTEM PERFORMANCE

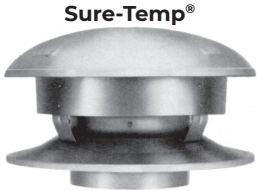
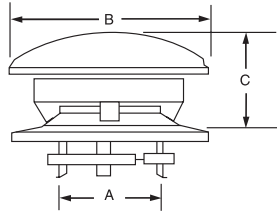
Round Tops

HT ROUND TOP

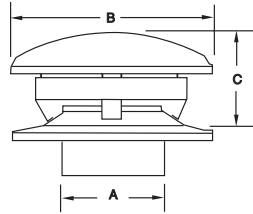
Sure-Temp® - Type HT



5" - 8"



10"

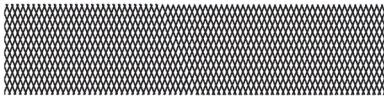


Note: The 10" diameter Round Top is designed with a squeeze collar that fits inside the chimney pipe and a set screw which is tightened to hold the top firmly in place.

- Part of the chimney system roof assembly, the Round Top is designed with a dome to exclude rain and leaves and a lower skirt to deflect wind for proper chimney draft.
- In the Sure-Temp-Type HT Chimney (5", 6", 7" and 8" sizes) the Round Top is designed with three legs that slide down over the outside of the chimney. A cinch band is then positioned over the legs and tightened to hold the top firmly in place. This design makes cap removal for cleaning a breeze.

Size	A	B	C	Product Code	Part No.	Pack
5"	7"	10"	5"	205800	5T-CT	1
6"	8"	12"	5-1/2"	206800	6T-CT	1
7"	9"	14"	6-1/4"	207800	7T-CT	1
8"	10"	16"	7"	208800	8T-CT	1
10"	10"	20"	8-1/2"	210800	10S-CT	1

SPARK ARRESTORS

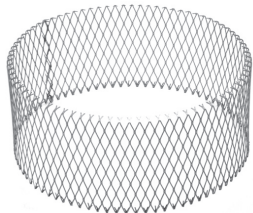


5" and 10"

- The Spark Arrestor is a diamond mesh stainless steel screen that can be field installed on our CT round tops.

Size	Product No.	Part No.	Pack
5"	205790	5T-SA	1
10"	210790	10T-SA	1

UNIVERSAL SPARK ARRESTORS



6" - 8"

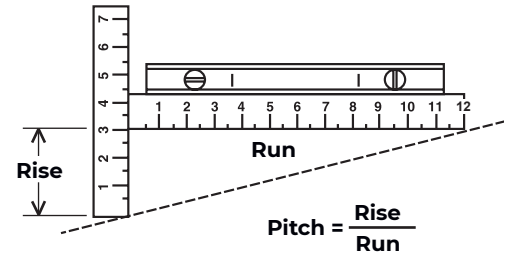
- The Universal Spark Arrestor is a diamond mesh stainless steel and comes preformed for easier installation.

Size	Product No.	Part No.	Pack
6"	206791	6T-USA	1
7"	207791	7T-USA	1
8"	208791	8T-USA	1

Flashings

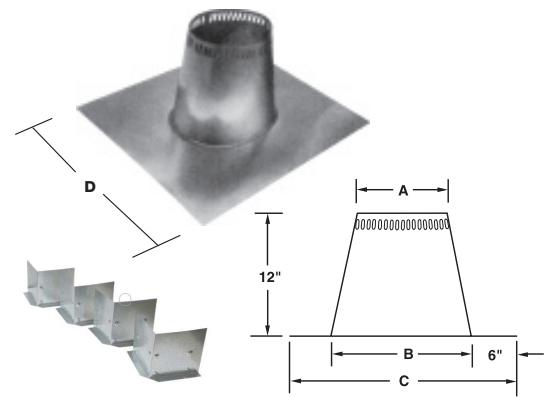
- Flashings are used to seal the opening where the chimney penetrates the roof to divert rain and snow from the roof and away from the chimney system.
- A series of adjustable flashings are available depending on your roof pitch. A flat and low pitch flashing is used to seal flat and low pitch roof (up to 2/12 pitch) openings.
- To determine your roof pitch, measure the number of inches from the end of a level 12 inch ruler down to the roof. This is the rise for 12 inches of run. A rise of 5 inches is a 5/12 pitch, and 4 inches, a 4/12 pitch, etc.
- Safety vents are on all flashings.

ROOF FLASHING SELECTION CHART



Size	A	B	C	D	Product Code	Part No.	Pack
6"	8-1/8"	12"	24-3/4"	21"	206815	6T-TF	1
7"	9-1/8"	15-3/4"	27-3/4"	24"	207815	7T-TF	1
8"	10-1/8"	15-3/4"	27-3/4"	24"	208815	8T-TF	1
10"	12-1/8"	17-3/4"	29-3/4"	29-3/4"	210815	10S-TF	1

FLAT AND LOW PITCH FLASHING (0 TO 2/12 PITCH)



Note: *All TF flashings come with a roof shield set.

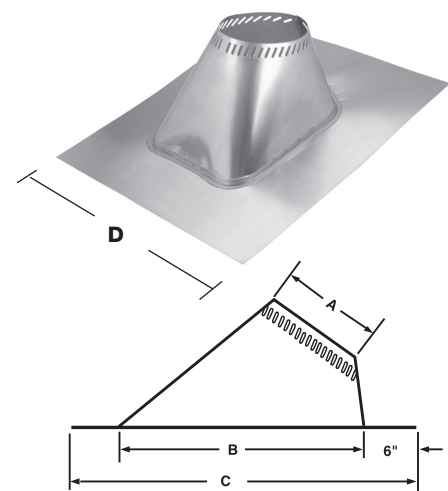
2/12 To 6/12 Pitch

Size	A	B	C	D	Product Code	Part No.	Pack
6"	8-1/8"	16-1/2"	28-1/2"	24"	206825	6TAF-6	1
7"	9-1/8"	16-1/2"	28-1/2"	24"	207825	7TAF-6	1
8"	10-1/8"	19-7/8"	31-7/8"	27"	208825	8TAF-6	1
10"	12-1/8"	19-7/8"	31-7/8"	37"	210825	10SAF-6	1

6/12 To 12/12 Pitch

Size	A	B	C	D	Product Code	Part No.	Pack
6"	8-1/8"	19-7/8"	31-7/8"	27"	206830	6TAF-12	1
7"	9-1/8"	19-7/8"	31-7/8"	27"	207830	7TAF-12	1
8"	10-1/8"	19-7/8"	31-7/8"	27"	208830	8TAF-12	1
10"	12-1/8"	25-1/2"	37-1/2"	36"	210830	10SAF-12	1

ADJUSTABLE FLASHING



Note: For 5 inch chimney use 6 inch Selkirk® Flashing with 5 inch storm collar. All Flashings have .025 Aluminum Bases.

ADJUSTABLE FLASHING CONTINUED

Note: For 5 inch chimney use 6 inch Selkirk® Flashing with 5 inch Storm Collar. All Flashings have .025 Aluminum Bases.

12/12 To 24/12 Pitch

Size	A	B	C	D	Product Code	Part No.	Pack
6"	8-1/8"	28-3/4"	40-3/4"	24"	206835	6TAF-24	1
7"	9-1/8"	31-1/4"	43-1/2"	24"	207835	7TAF-24	1
8"	10-1/8"	33-3/8"	45-3/8"	24"	208835	8TAF-24	1

24/12 To 36/12 Pitch

Size	A	B	C	D	Product Code	Part No.	Pack
6"	8-1/8"	41-1/4"	53-1/4"	24"	206840	6TAF-36	1
7"	9-1/8"	44-1/8"	56-1/2"	24"	207840	7TAF-36	1
8"	10-1/8"	47-3/4"	59-3/4"	24"	208840	8TAF-36	1

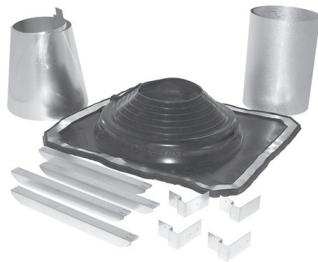
**DEAD SOFT FLASHING
2/12 TO 6/12 PITCH**



Size	A	B	C	D	Product Code	Part No.	Pack
6"	8-1/8"	16-1/2"	30"	33"	206845	6T-AF6D	1
7"	9-1/8"	16-1/2"	30"	33"	207845	7T-AF6D	1
8"	10-1/8"	19-7/8"	30"	33"	208845	8T-AF6D	1

Note: Dead Soft Aluminum base is designed to be molded to uneven roof surfaces.

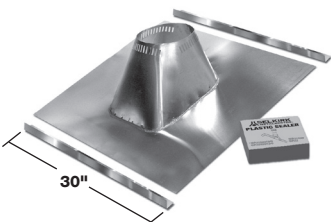
**UNIVERSAL RUBBER BOOT FLASHING
KIT FITS UP TO 12/12 PITCH**



Product Code	Part No.	Description	Pack
200275	URBAK	for 5"-8" diameter chimney	1

Note: Used for installations on corrugated roofs flat to 12/12 pitch (10/12 for 8 inch). Kit includes rubber boot (23-4/5" x 21-1/2"), spacers kit, special storm collar, shield, and mounting screws.

UNIVERSAL METAL ROOF FLASHING KIT



- Kit consists of sealer tape and 2 sheet metal strips that are field shaped to match the roof profile.
- Use in conjunction with a standard Selkirk Flashing to seal the opening when penetrating a corrugated metal roof.
- Flashing sold separately, see pages 17-18.

Product Code	Part No.	Pack
200280	URFK	1

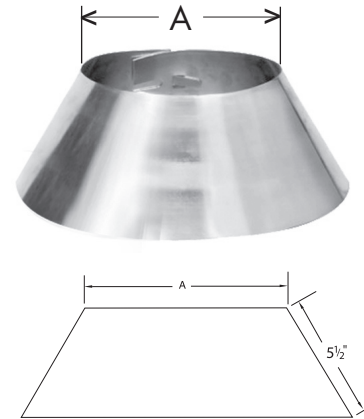
Note: Used in conjunction with a standard Selkirk Flashing to seal the opening when penetrating a corrugated metal roof. **Flashing sold separately.**

Flashings continued

- The Storm Collar is designed to fit on the round chimney pipe just above the roof flashing.
- Part is tightened with screws or tabs after positioning.
- The upper edge of the Storm Collar should be waterproofed with non-hardening silicone caulking to prevent any water from leaking between the Storm Collar and chimney pipe.

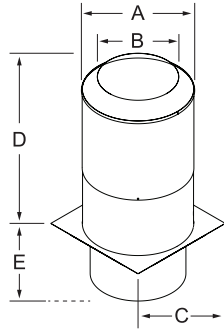
Size	A	Product Code	Part No.	Pack
5"	7"	206810	5T-SC	6
6"	8"	208810	6T-SC	6
7"	9"	210810	7T-SC	6
8"	10"	212810	8T-SC	6
10"	9"	214810	10S-SC	1

STORM COLLAR



Shields

ADJUSTABLE ATTIC INSULATION SHIELD

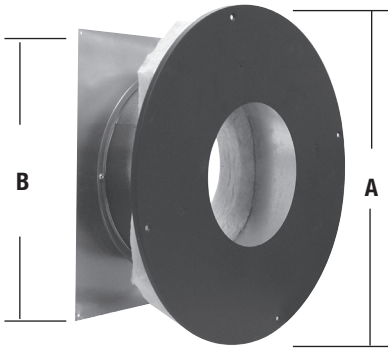


Note: *Add SUSI to this part for increased performance and safety. (See pg 21)

- The Adjustable Attic Insulation Shield with Dropdown must be installed where the chimney enters the attic space in any installation.
- Designed to keep insulation away from the chimney and to maintain the mandatory 2" clearance to combustibles.
- Adjustable from 12" to 22".
- Drop down shield protects joist area.

Size	A	B	C	D	E	Product No.	Part No.	Pack
5"	11-7/16"	7-3/16"	13"	12" to 22"	8-1/2"	205492	5T-AAIS	1
6"	12-7/16"	8-3/16"	14"	12" to 22"	8-1/2"	206492	6T-AAIS	1
7"	13-7/16"	9-3/16"	15"	12" to 22"	8-1/2"	207492	7T-AAIS	1
8"	14-7/16"	10-3/16"	16"	12" to 22"	8-1/2"	208492	8T-AAIS	1
10"	16-7/16"	12-3/16"	18"	12" to 22"	8-1/2"	210492	10T-AAIS	1

INSULATED WALL THIMBLE

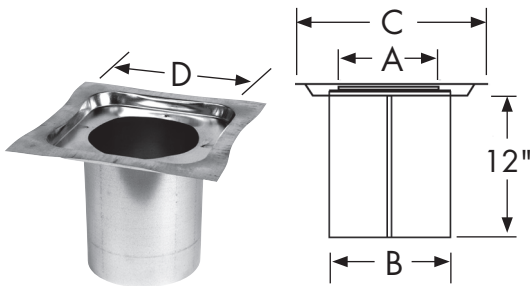


Note: *Add SUSI to this part for increased performance and safety. (See pg 21)

- The Insulated Wall Thimble installs quickly and eliminates the need for using individual firestops. The round shielding acts as a radiation shield and provides the required 2 inch (air space) clearance to combustibles.
- The two sections telescope to accommodate 6" to 11" wall thickness.
- Interior wall plate painted black.

Size	A	B	Opening Required	Product Code	Part No.	Pack
5"	17"	16"	11-1/8" x 11-1/8"	205463	5T-IWT	1
6"	19"	16"	12-1/8" x 12-1/8"	206463	6T-IWT	1
7"	21"	16"	13-1/8" x 13-1/8"	207463	7T-IWT	1
8"	22"	16"	14-1/8" x 14-1/8"	208463	8T-IWT	1
10"	24"	18-1/4"	16-1/8" x 16-1/8"	210463	10S-IWT	1

FIRESTOP JOIST SHIELD (RADIATION DUST SHIELD)



Used in floor/ceiling penetrations other than those which include a ceiling support or attic insulation shield. Not required when passing through roof.

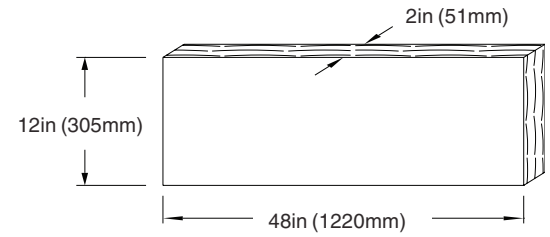
Size	A	B	C	D	Product Code	Part No.	Pack
5"	7-1/8"	9"	13"	11"	205465	5T-JS	1
6"	8-1/8"	10"	14"	12"	206465	6T-JS	1
7"	9-1/8"	11"	15"	13"	207465	7T-JS	1
8"	10-1/8"	12"	16"	14"	208465	8T-JS	1
10"	12-1/8"	14"	18"	16"	210465	10S-JS	1

Shields continued

- Optional insulation for use with the Support Box, Attic Insulation Shield and Insulated Wall Thimble.
- The SUSI protects building materials against radiant heat from the chimney and helps maintain temperatures within the chimney system.
- The SUSI also reduces air infiltration into the dwelling.
- The only insulation approved for use with the Selkirk Chimney System.

Product Code	Part No.	Pack
200001	SUSI	1

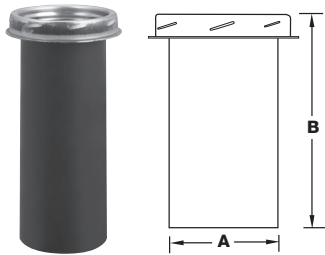
SUSI (SELKIRK UNIVERSAL SHIELDING INSULATION)



Dripless Stove Pipe Adapters

Dripless Stove Pipe Adapters are used to connect single wall stove pipe to Sure-Temp® Systems. Dripless Stove Pipe Adapters are designed to slip inside single wall stove pipe to contain any creosote dripping down the chimney to inside the stove pipe. There are two Dripless Stove Pipe Adapters:

DRIPLESS SMOKE PIPE ADAPTER WITH COUPLER (DSAC)

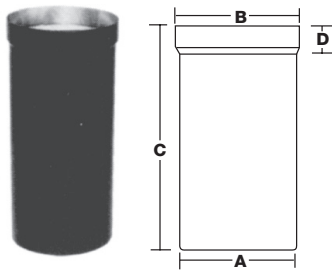


For use in new installations, this part can be installed by twist-locking the coupler on the DSAC into the first section of Sure-Temp®-Type HT chimney pipe.

Size	A	B	Product Code	Part No.	Pack
6"	5-15/16"	15-3/4"	206240	6T-DSAC	1
7"	6-15/16"	15-3/4"	207240	7T-DSAC	1
8"	7-15/16"	15-3/4"	208240	8T-DSAC	1

Note: DSAC is 430 Stainless Steel.

DRIPLESS SMOKE PIPE ADAPTER (DSA)

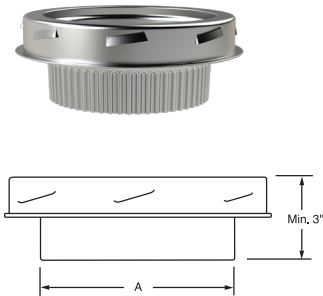


For use in retrofit installations, this part can be installed from below with a Finish Support Package or Support Box and secured with screws.

Size	A	B	C	D	Product Code	Part No.	Pack
6"	5-15/16"	6-7/32"	15-3/4"	1-5/8"	206242	6T-DSA	1
7"	6-15/16"	7-7/32"	15-3/4"	1-5/8"	207242	7T-DSA	1
8"	7-15/16"	8-7/32"	15-3/4"	1-5/8"	208242	8T-DSA	1

Note: DSA is 304 Stainless Steel.

CHIMNEY PIPE ADAPTER

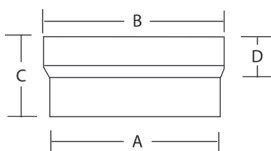


The Chimney Pipe Adapter is used to connect Sure-Temp® to either Double Wall or Single Wall Stove Pipe. The 6", 7" and 8" CPAs provide proper connection to Model DSP - Selkirk's Double Wall, Close Clearance Connector Pipe.

Size	A	Product Code	Part No.	Pack
5"	4-15/16"	205240	5T-CPA	1
6"	5-15/16"	256240	6T-CPA	1
7"	6-15/16"	257240	7T-CPA	1
8"	7-15/16"	258240	8T-CPA	1
10"	9-15/16"	210240	10S-CPA	1

- For use in retrofit installations when using Double Wall Stove Pipe
- The DS-AA can be installed from below a Finish Support Package or Support Box
- Secure with screws

DS-AA



Size	A	B	C	D	Product Code	Part No.	Pack
6"	5-15/16"	6-7/32"	3-1/4"	1-5/8"	256245	6DS-AA	1
8"	7-15/16"	8-7/32"	3-1/4"	1-5/8"	258245	8DS-AA	1

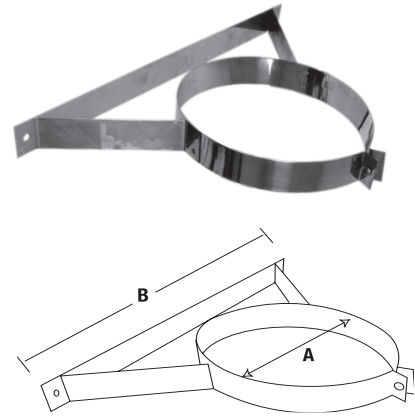
Note: DS-AA is 430 stainless steel.

Accessories

- The Wall Band is used along the wall to provide for 2 inch clearance and assure stability.
- Required at 8 foot or closer intervals above the tee to stabilize the chimney.
- Stainless steel construction.

Size	A	B	Product Code	Part No.	Pack
5"	7"	17"	205520	5T-WB	4
6"	8"	17"	206520	6T-WB	4
7"	9"	17"	207520	7T-WB	4
8"	10"	17"	208520	8T-WB	4
10"	12"	17"	210520	10S-WB	1

WALL BAND



- The Universal Adjustable Wall Band is used along the wall to provide for 2 inch clearance and assure stability.
- Required at 8 foot or closer intervals above the tee to stabilize the chimney.
- Fits chimney diameters from 5" to 8".
- This has 4" of adjustability to clear many overhangs and obstructions.
- Works with Adjustable Wall Support.

Size	Product Code	Part No.	Pack
5", 6", 7", 8"	200270	UWB	1

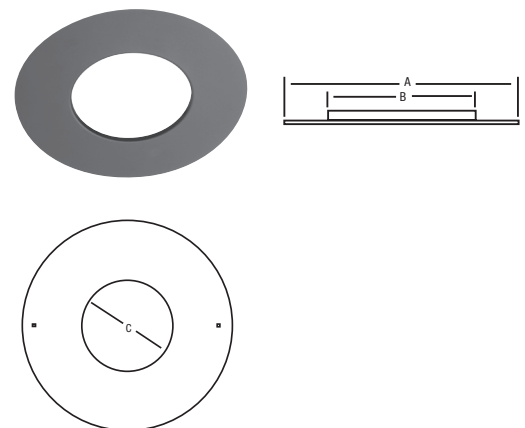
UNIVERSAL ADJUSTABLE WALL BAND



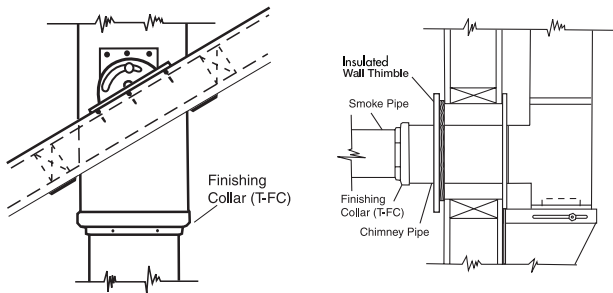
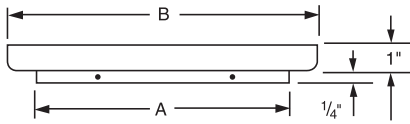
- Used to trim ceiling and close off airspace around the pipe, which is supported from above, extending down into the room.
- Used to trim the wall when chimney passes through a non-combustible wall.
- Used in conjunction with the Firestop/Joist Shield.
- Black Matte Finish.

Size	A	B	C	Product Code	Part No.	Pack
5"	17"	11"	7-1/8"	205488	5T-TPS	1
6"	19"	12"	8-1/8"	206488	6T-TPS	1
7"	21"	13"	9-1/8"	207488	7T-TPS	1
8"	22"	14"	10-1/8"	208488	8T-TPS	1

TRIM PLATE SPACER



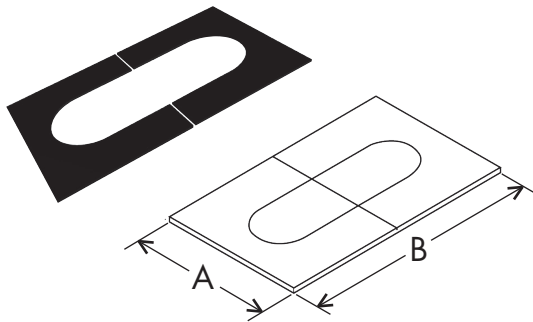
FINISHING COLLAR



- The Finishing Collar fits over lower end of suspended insulated chimney pipe to provide finished appearance.
- Used to attach T-DSAC or T-CPA Pipe Adapters to lower end of suspended chimney or end of chimney connected to an Insulated Tee.
- Black Matte Finish.

Size	A	B	Product Code	Part No.	Pack
6"	6-1/4"	8"	206480	6T-FC	1
7"	7-1/2"	9"	207480	7T-FC	1
8"	8-1/2"	10"	208480	8T-FC	1

ADJUSTABLE PITCHED CEILING PLATE



- The Pitched Ceiling Plate provides a finished appearance where the chimney passes through a sloped ceiling.
- Matte black finish.
- Adjusts to multiple ceiling pitches.
- Covers 2 inch air space around chimney for attractive finish.

2/12 - 6/12 Pitch

Size	A	B	Product Code	Part No.	Pack
5"	15-1/2"	18 - 29"	205512	5T-PCPAJ	1
6"	16-1/2"	19 - 30"	206512	6T-PCPAJ	1
7"	17-1/2"	20 - 31"	207512	7T-PCPAJ	1
8"	18-1/2"	21 - 33"	208512	8T-PCPAJ	1
10"	20-1/2"	23 - 37"	210512	10S-PCPAJ	1

6/12 - 12/12 PITCH

Size	A	B	Product Code	Part No.	Pack
6"	16-1/2"	19 - 30"	206514	6T-PCPAJ12	1
7"	17-1/2"	20 - 31"	207514	7T-PCPAJ12	1
8"	18-1/2"	21 - 33"	208514	8T-PCPAJ12	1
10"	20-1/2"	23 - 37"	210514	10S-PCPAJ12	1

Typical Installations

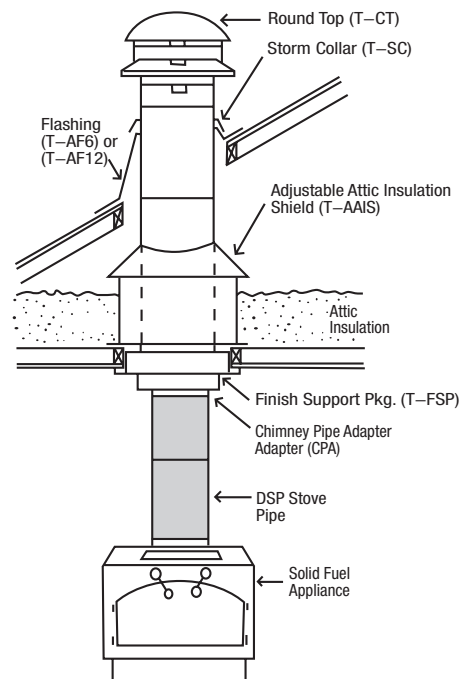
Short or tall, large or small, there is a Sure-Temp Chimney System to suit every need or appliance. The following diagrams are intended as guides to proper part selection for several common chimney installations. Keep in mind these diagrams do not show the exact details for installation of the various chimney parts. They supplement the instructions by illustrating a wider variety of complete chimney systems. While the primary emphasis in the diagrams is on solid-fuel appliances, the type of appliance originally selected must never affect the installation of the chimney.

Whether the chimney is initially connected to a gas, oil or wood-burning appliance, the parts used and clearances to combustibles are always the same. Remember that at some future time, the same chimney may serve a wood furnace, even if it started out with gas or oil.

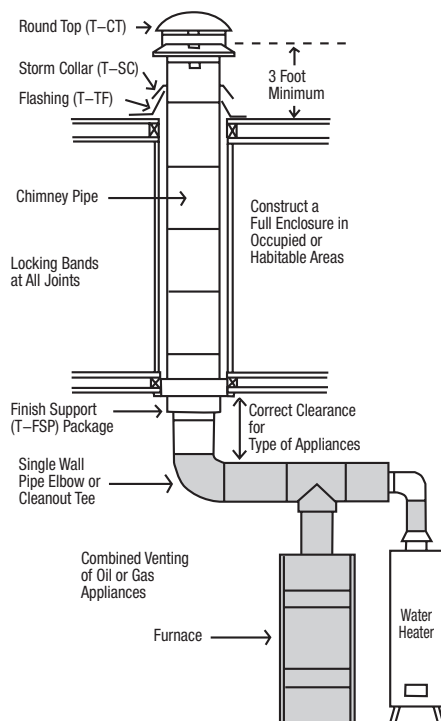
1. Maintain the minimum 2 inch AIRSPACE clearance to combustibles and to any insulation except SUSI.
2. For joint security—use Locking Bands or screws for the chimney and its connector.

NOTE: The drawings shown of these installations are solely for assistance in product selection. Reference should be made to the Sure-Temp Chimney System installation instructions for full and exact details of a correct installation.

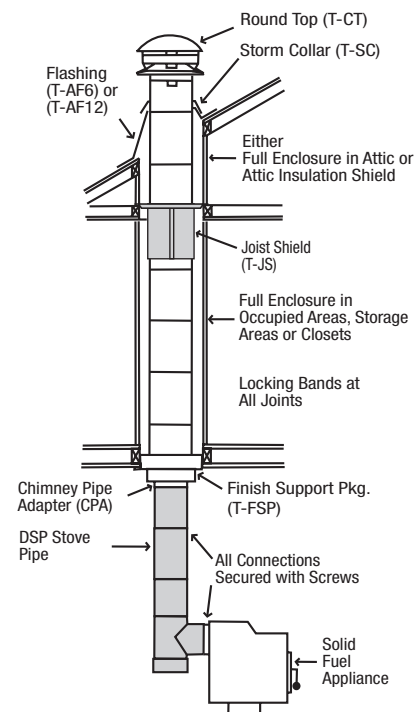
1. Solid Fuel Appliance with a short vertical chimney



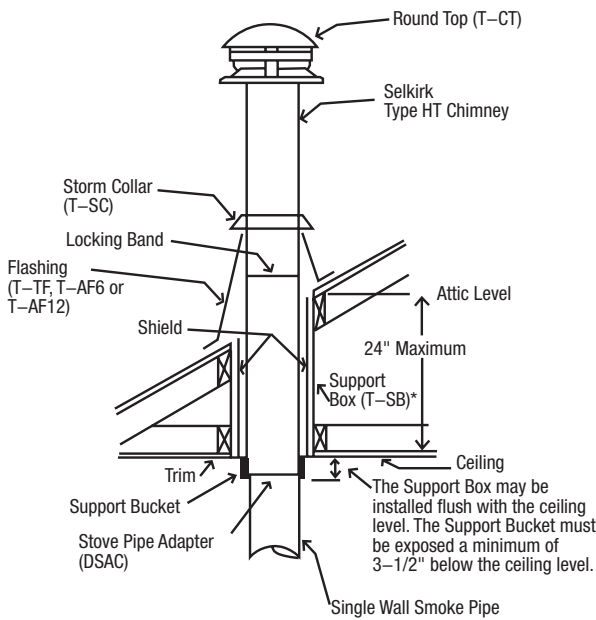
2. Combination of Furnace and Water Heater on one chimney



3. Wood Heater with its chimney through an upstairs enclosure

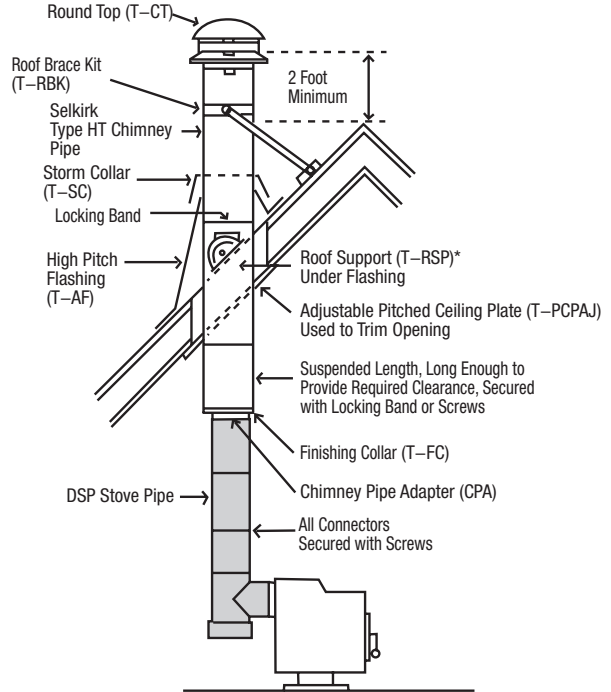


4. Pitched Roof with Attic



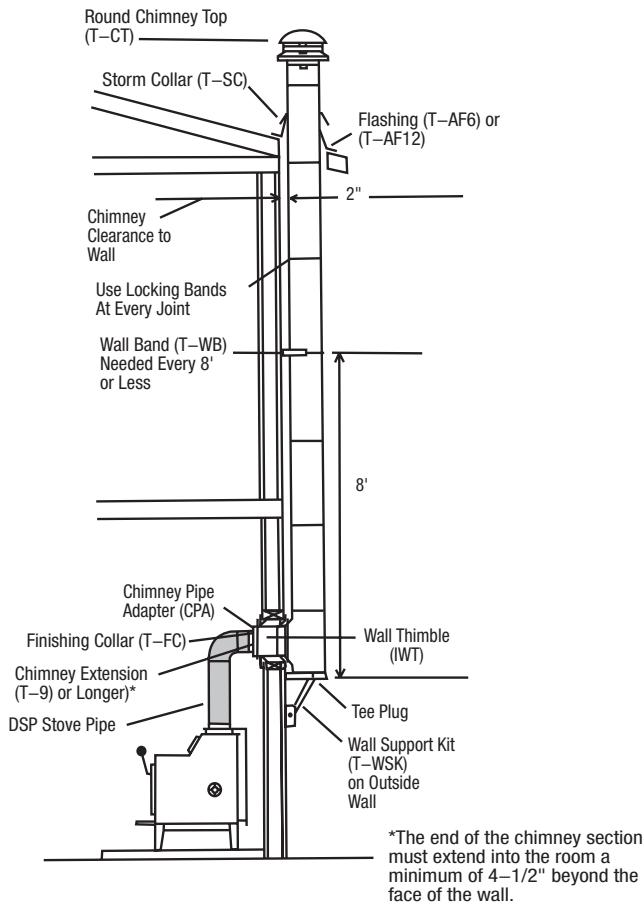
* Support Box also intended for use in mobile home and A-frame installations.

5. A-Frame with chimney on a steep pitch roof

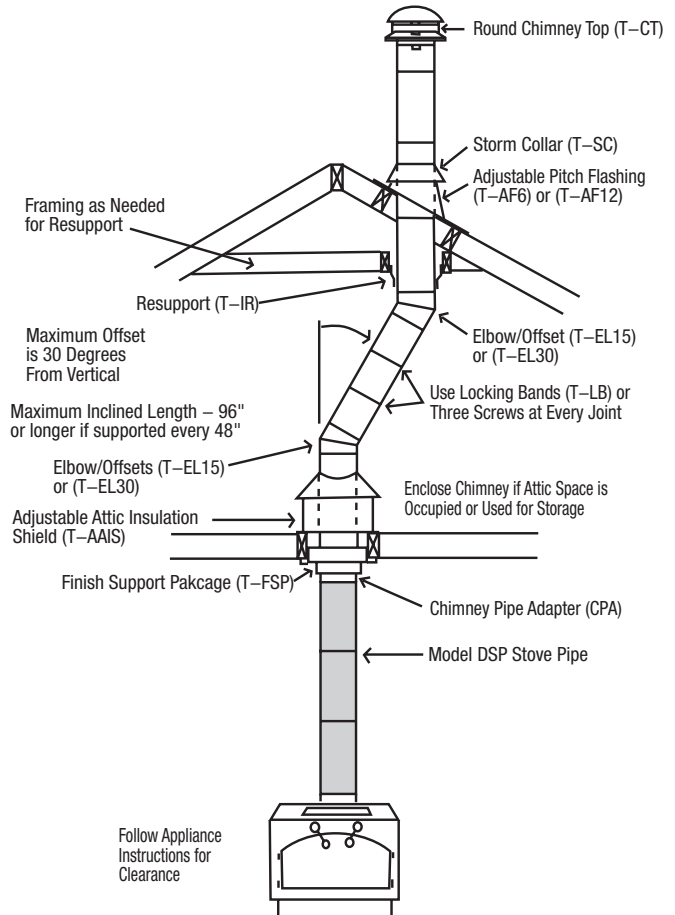


* Support Box may also be used. Please consult installations instructions for more information.

6. Basement Heater with Tee-supported outside chimney

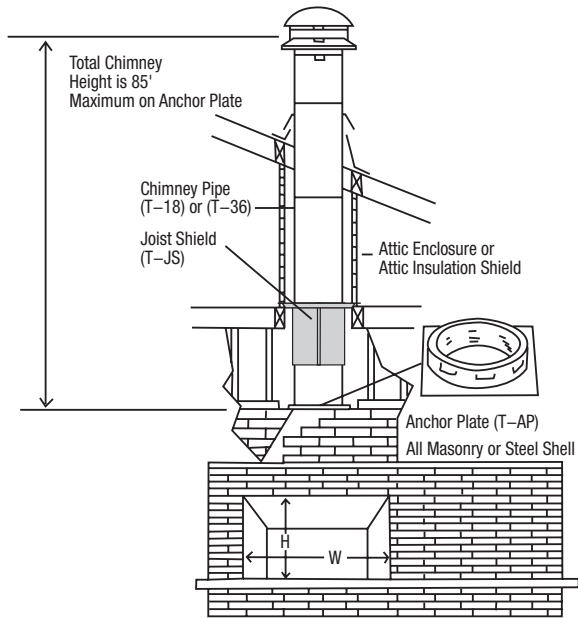


7. Wood Stove with chimney offset to avoid ridge



Typical Installations continued

8. Masonry Fireplace using Sure-Temp® Chimney





BUILD FOR THE FUTURE

Our Portfolio of Brands

AirMate®	www.airmate.com
AmeriFlow®	www.ameriflowregisters.com
Amerivent®	www.ameri-vent.com
AMPCO®	www.ampcostacks.com
Builder’s Best®	www.buildersbest.com
Duravent™	www.duravent.com
Hart & Cooley®	www.hartandcooley.com
Heatfab®	www.heatfab.com
Lima®	www.limaregister.com
Milcor®	www.milcorinc.com
Portals Plus™	www.portalsplus.com
RPST™	www.rpscubbs.com
Security Chimneys®	www.securitychimneys.com
Selkirk®	www.selkirkcorp.com

Corporate Headquarters

Duravent Group
 28 W. Adams, Suite 1810
 Detroit, MI 48226
 Tel: 800.835.4429
 Email: info@duraventgroup.com
www.duraventgroup.com

Contact Us

For more information about our products or to contact us directly, please go to any of our websites and click on the Contact section on the website.



duravent[™]
GROUP

BUILD FOR THE FUTURE

www.duraventgroup.com



For warranty information:
Scan this QR code or visit
www.duraventgroup.com/warranties