



FLEXI-LINER®

Flexible Aluminum Chimney Liner for Gas Appliances, 3" to 8" Diameter

Listed to: ULC-S635 and UL 1777



GAS



FLEXI-LINER®

Flexi-Liner is the toughest Aluminum chimney liner you can buy. The seamless design that is used in the manufacturing process results in a superior, better built liner that has increased compressibility (which results in smaller cartons) and a rugged, rip-resistant chimney liner.

FLEXI-LINER SPECIFICATIONS

- Liner Material - Aluminum 3003, 2-ply (0.005" each)
- Maximum Flue Gas Temperature - 470°F (243°C)
- Available in 3", 4", 5", 5.5", 6", 7", and 8" diameters
- Stretch Ratio - 5:1 (approximate)
- Clearances - 0" between liner and chimney interior
- Listed to ULC-S635, in Canada and UL 1777 in USA
- For Category 1 appliances only
- "Smart Choice" Lifetime Warranty

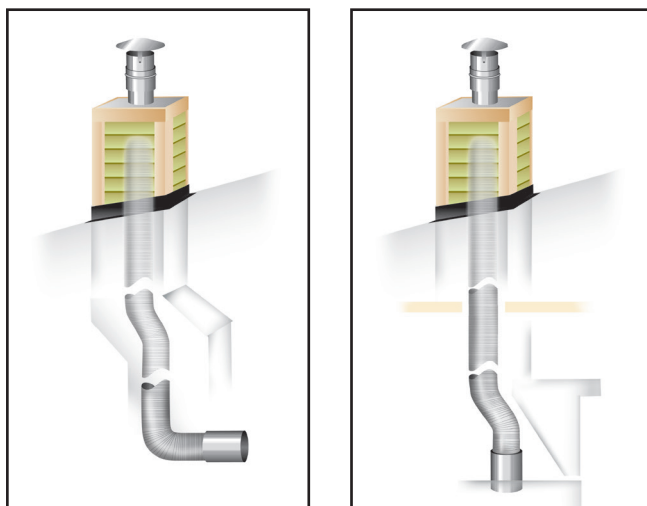
FLEXI-LINER KITS

- Kits include: Flexi-Length, Round Top (RV), Flashing with 3" collar and Mortar Guard
- Available in 25' and 35' Lengths
- 3" to 8" Diameters
- 15' Kits also available in 3", 4", and 5" diameters.

FLEXI-LINER ACCESSORIES

- Flexi-Extension Kits - Flexi-Liner Length with attached coupler and fastener package
- Flexi-Sleeve - Insulation sleeve with tough poly exterior
- Flexi-Coupler - Fitting for joining Flexi-Liner sections
- Pull Down - Tool to stretch and lead Flexi-Liner Length down chimney
- B-Vent Adapter - Adapter to transition from all brands of Listed Type B Gas Vent to Flexi-Liner

TYPICAL INSTALLATIONS



INSTALLATION TIP

When installing this product into an existing masonry chimney, it is important to carefully measure the length of flex needed to reach from the appliance outlet to the termination cap. If the flex length is too short, a flex coupler will be needed to attach an additional length of flex liner to make up the difference. If the flex length is too long, the liner could sag below the appliance outlet, which could result in an airflow restriction causing flow reversal or flame lift.

WHY RE-LINE YOUR CHIMNEY?

Most masonry chimneys are oversized and absorb too much heat to be considered a proper vent. New appliances installed today yield higher efficiencies due to advancement in technology. This helps you save by increasing the amount of usable heat for your home generated by each BTU of fuel you burn. Higher efficiencies effectively help you "send less money up the chimney". However, because more heat is used by the home, there is less heat in the exhaust gases vented to the outside. If not vented properly, these lower temperature exhaust gases can lead to excessive moisture in your chimney (or to the appliance not venting at all!)

WHY MOISTURE IS BAD FOR THE INSIDE OF A CHIMNEY

Moisture, over time, will cause corrosion and decay of bricks, mortar, and clay liners. How? Moisture reacts with the exhaust gases to form acids which "eat away" at your chimney. Also, moisture collects into cracks and can seep into bricks and mortar. In cold climates, the moisture freezes, expands, then thaws, causing chunks of your chimney to break loose and crumble. Finally, moisture can actually drip back into your Appliance, causing it to rust or corrode.

PROTECT YOUR CHIMNEY

Flexible Chimney Liners have two primary ways of protecting your chimney: a) The Flex Liner contains the vent gases which can react with moisture to damage the inside of your chimney; b) Flex Liners reduce the size of the chimney opening, so they require less heat to effectively exhaust the fumes and prevent moisture buildup.



The Best Warranty in the Industry

Selkirk features an advanced engineering design and premium quality material which allow us to offer a Lifetime Warranty on all component parts. See written warranty for details.

FLEXI-LINER Aluminum Flexible Chimney Liner for Gas Appliances

- Install the Flexi-Liner when re-lining a masonry chimney for Gas applications
- Includes the Flexi-Liner Length, Round Top, Flashing with 3" Collar, Mortar Guard, Fasteners, and Instructions
- Slim-Line "Suitcase" style cartons

Size	Length	Product Code	Part #	Pack
3"	15'	1730015	AF15-03	1
4"	15'	1740015	AF15-04	1
5"	15'	1750015	AF15-05	1
25' Length				
3"	25'	1730025	AF25-03	1
4"	25'	1740025	AF25-04	1
5"	25'	1750025	AF25-05	1
5.5"	25'	1755025	AF25-05.5	1
6"	25'	1760025	AF25-06	1
7"	25'	1770025	AF25-07	1
8"	25'	1780025	AF25-08	1
35' Length				
3"	35'	1730035	AF35-03	1
4"	35'	1740035	AF35-04	1
5"	35'	1750035	AF35-05	1
5.5"	35'	1755035	AF35-05.5	1
6"	35'	1760035	AF35-06	1
7"	35'	1770035	AF35-07	1
8"	35'	1780035	AF35-08	1

FLEX KIT



Extension Kits

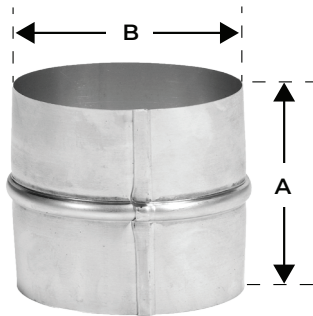
FLEX EXTENSION KITS



- Flexi-Liner Length with coupler and fastener package

Size	Length	Product Code	Part #	Pack
3"	10'	1730010	AFE10-03	1
4"	10'	1740010	AFE10-04	1
5"	10'	1750010	AFE10-05	1
5.5"	10'	1755010	AFE10-05.5	1
6"	10'	1760010	AFE10-06	1
7"	10'	1770010	AFE10-07	1
8"	10'	1780010	AFE10-08	1
25'				
3"	25'	1730250	AF3-25L	1
4"	25'	1740250	AF4-25L	1
5"	25'	1750250	AF5-25L	1
6"	25'	1750250	AF6-25L	1
7"	25'	1770250	AF7-25L	1
8"	25'	1780250	AF8-25L	1
35'				
3"	35'	1730350	AF3-35L	1
4"	35'	1740350	AF4-35L	1
5"	35'	1750350	AF5-35L	1
6"	35'	1760350	AF6-35L	1
7"	35'	1770350	AF7-35L	1
8"	35'	1780350	AF8-35L	1

FLEX COUPLERS



- Fitting for joining Flexi-Liner Lengths

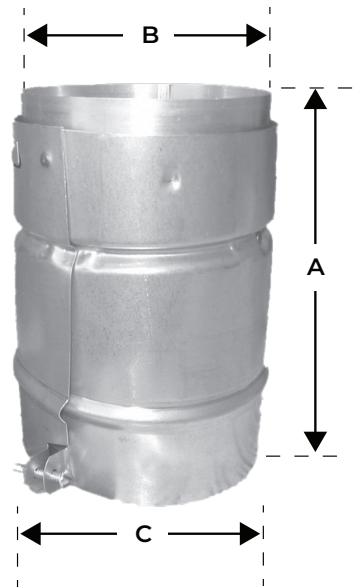
Size	A	B	Product Code	Part #	Pack
3"	4"	2.97"	173085	AF3-FC	1
4"	4"	3.97"	174085	AF4-FC	1
5"	4"	4.97"	175085	AF5-FC	1
5.5"	4"	5.47"	175585	AF55-FC	1
6"	4"	5.97"	176085	AF6-FC	1
7"	4"	6.97"	177085	AF7-FC	1
8"	4"	7.97"	178085	AF8-FC	1

Accessories

- Adapter to transition from all brands of Listed Type B Gas vent to Flexi-Liner

Size	A	B	C	Product Code	Part #	Pack
3"	5.88"	2.95"	3.57"	173086	AF3-BVA	6
4"	5.88"	3.95"	4.57"	174086	AF4-BVA	6
5"	5.88"	4.95"	5.57"	175086	AF5-BVA	6
6"	5.88"	5.95"	6.57"	176086	AF6-BVA	6
7"	5.88"	6.95"	7.57"	177086	AF7-BVA	6
8"	5.88"	7.95"	8.57"	178086	AF8-BVA	6

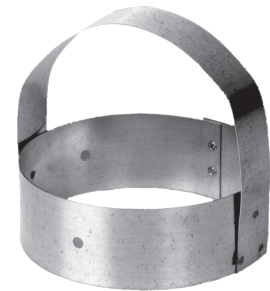
ADAPTERS



- Tool to stretch and lead Flexi-Liner Length down chimney

Size	Product Code	Part #	Pack
3"	173000	FX3-PD	6
4"	174000	FX4-PD	6
5"	175000	FX5-PD	6
5.5"	175500	FX55-PD	6
6"	176000	FX6-PD	6
7"	177000	FX7-PD	6
8"	178000	FX8-PD	6

PULL DOWNS



- Insulation sleeve with tough poly exterior
- Cable Ties included

Size	Product Code	Part #	Pack
3"-4"	1740120	AF4-FS	5
5"	1750120	AF5-FS	5
5.5"-6"	1760120	AF6-FS	5
7"	1770120	AF7-FS	5
8"	1780120	AF8-FS	5

FLEXI-SLEEVE





BUILD FOR THE FUTURE

Customer Service and Support:

Airmate (USA).....	800.992.8368
Airmate (CAN)	888.735.5475
Ameriflow	800.252.8467
Amerivent (Retail).....	800.252.8467
Amerivent (Hearth & Wholesale)	800.423.4270
Amerivent (Support).....	800.748.0392
AMPCO (USA)	800.669.3269
AMPCO (CAN).....	888.735.5475
Duravent	800.835.4429
Hart & Cooley.....	800.433.6341
Hart & Cooley (Support)	800.748.0392
Heatfab (USA).....	800.772.0739
Heatfab (CAN)	800.848.2149
Lima.....	800.423.4270
Milcor	800.774.5240
Portals Plus.....	800.774.5240
RPS.....	800.624.8642
Security Chimney (USA).....	800.361.4909
Security Chimney (CAN)	800.667.3387
Selkirk (USA) Residential	800.992.8368
Selkirk (USA) Commercial.....	800.848.2149
Selkirk (USA) Support.....	800.748.0392
Selkirk (CAN)	888.735.5475

Manufacturing & Distribution Centers:

CANADA	
Nobel, ON	Manufacturing
Laval, QC	Manufacturing
Prescott, ON	Distribution
USA	
Grand Rapids, MI	Center of Excellence
Dallas, TX	Distribution
Englewood, OH	Distribution
Huntsville, AL	Manufacturing & Distribution
Mira Loma, CA	Distribution
Nampa, ID	Manufacturing & Distribution
Turner Falls, MA	Manufacturing & Distribution
Vacaville, CA	Manufacturing
MEXICO	
Ojinaga, MX	Manufacturing
Mexicali, MX	Manufacturing

Corporate Headquarters:

Duravent Group
 28 W. Adams, Suite 1810
 Detroit, MI 48226
 Tel: 800.835.4429
 Email: info@duraventgroup.com
www.duraventgroup.com



BUILD FOR THE FUTURE

www.duraventgroup.com

