

READ INSTRUCTIONS CAREFULLY BEFORE STARTING THE PROJECT. REMEMBER THAT SAFETY COMES FIRST. OUR CHIMNEY SYSTEMS ARE DESIGNED FOR INSTALLATION BY A QUALIFIED PERSON IN ACCORDANCE WITH LOCAL BUILDING CODES.

Tested to: UL 103 HT, ULC-S604,
ULC-S610, ULC-S629



Selkirk Chimney parts are Listed and produced under the Factory Inspection and Follow-up program of Underwriters Laboratories, Inc. and carry the LISTING MARK illustrated here.

CAUTION: WEAR CUT RESISTANT GLOVES WHILE HANDLING METAL PARTS TO AVOID PERSONAL INJURY. SHARP EDGES OR PROJECTIONS CAN CUT YOU.

Read the following instructions in their entirety before assembling and installing. Read Sheet GS for important clearance and safety precautions before installing any of the parts described by this sheet. Sheet GS is packaged with Supports.

The Roof Support Kit (RSK) is designed to provide support above the roof and adjusts to any roof pitch. Where permitted, it will provide support above the roof of an open cathedral ceiling installations.

The Roof Support Kit (RSK) accommodates Selkirk chimneys with outer diameters ranging from 7" through 16".

The RSK will support up to 30' (9.0m) of chimney of which 20' (6.9m) may be suspended beneath it.

To Install:

1. Cut an opening in the roof and frame a rectangular roof opening to provide a 50mm (2") minimum clearance from combustibles (see Figures 1 through 3).
2. Bend both chimney plates at vertical slots to fit outside curvature of a 36" chimney Length (see Figure 2).
3. Determine the chimney plate position on the chimney casing (see Figure 1).
4. Install two (2) carriage bolt per chimney plate in square holes.
5. Using the bent chimney plate as a template, drill 3/32" holes in the outer casing of the chimney. (Do not penetrate more than 12mm (1/2") into the chimney). Attach plate with small sheet metal screws provided.
6. Install second plate in a similar manner on opposite side of chimney.
7. Attach Roof Brackets to the chimney plates and centre the assembly in the roof opening.
8. Adjust Roof Brackets to the roof pitch and tighten nuts. Attach to the roof with six (6) large wood screws per bracket with the innermost screws going into the rafter (see Figure 2).
9. Additional chimney lengths above the support are simply stacked on and locked with a 1/8 clockwise turn.
10. Locking Bands must be used on all joints.
11. Finish the chimney to its required height. If the chimney extends 5 feet or more above the roof, additional lateral support is required (see Sheet S-3).

CAUTION: MODEL SELKIRK CHIMNEY MUST BE PROPERLY SUPPORTED. DO NOT USE PIPE BY ITSELF OR ATTEMPT TO FABRICATE YOUR OWN SUPPORT OR ACCESSORIES.

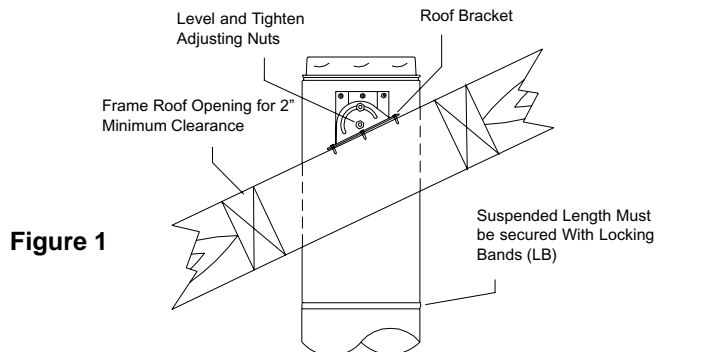


Figure 1

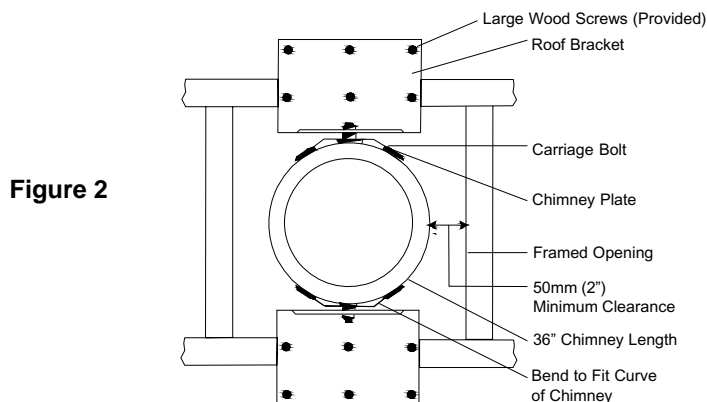


Figure 2

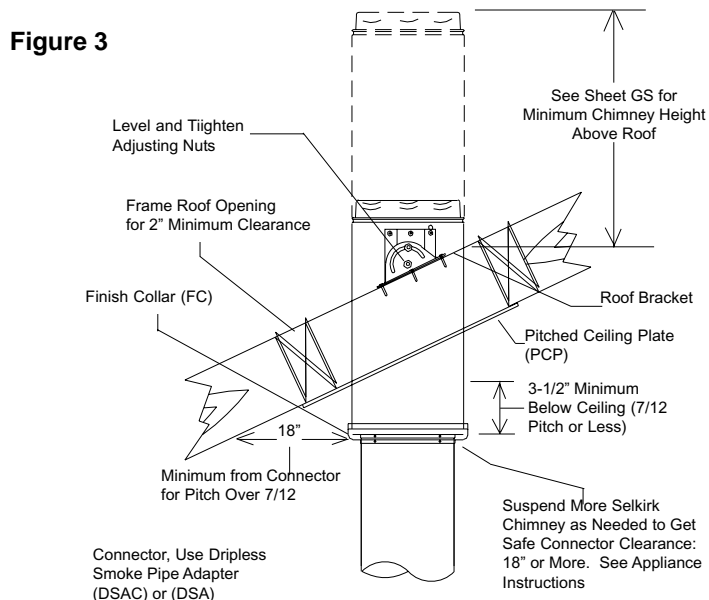


Figure 3



Selkirk Corporation
5030 Corporate Exchange Blvd.
Grand Rapids, MI 49512
Telephone: 800.433.6341

info@selkirkcorp.com

Selkirk Canada Corporation
P.O. Box 526, Depot 1,
Hamilton, ON L8L 7X6
Tel: 888.SELKIRK (735.5475)