



# Round Type B Gas Vent

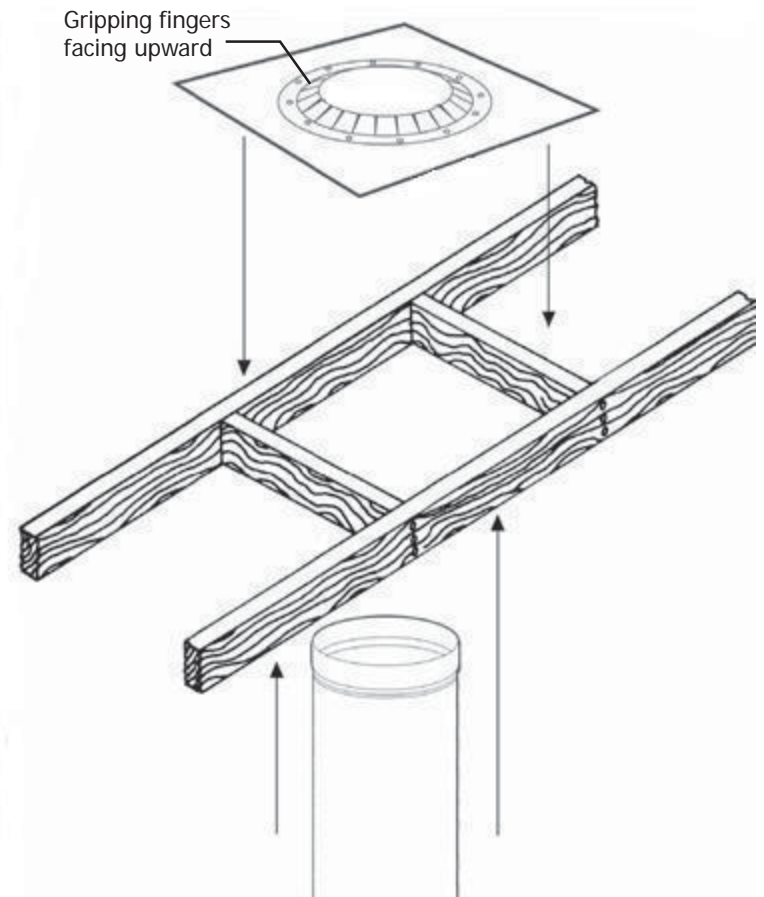
## "Quick Grip" Firestop/Support Installation Instructions

Refer to the main installation instructions for complete details about installing the vent system. The main installation instructions are packaged with the Top or can be obtained by calling the telephone number listed at the bottom of this sheet.

1. At the desired location, cut a square or circular hole in the floor at a minimum of 2½ inches larger than the nominal pipe size, but not greater than 4 inches larger. See the table below. This will provide the REQUIRED 1-INCH CLEARANCE FROM COMBUSTIBLES.
2. Place the support over the hole with the gripping fingers up. (See Figure)
3. Use an 8 penny nail or self-drilling sheet metal screw in each corner at least 3/8 of an inch in from the edge.
4. Pipe should be inserted from below. A maximum of 30 feet of pipe may be installed above the support before resupport is required

**Table (Support Hole Dimensions)**

Nominal Pipe Size (inches)	Min. Hole Size (inches)	Max. Hole Size (inches)
3	5.5	7
4	6.5	8
5	7.5	9
6	8.5	10



**⚠ WARNING**  
Failure to follow the installation instructions could cause **FIRE, CARBON MONOXIDE POISONING, OR DEATH**. If you are unsure of installation requirements, call the Phone Number listed on the instructions or visit [www.selkirkcorp.com](http://www.selkirkcorp.com).