

Ultimate Plus™

10''

Factory-built CHIMNEY for
Factory-Built Fireplaces
TYPE HT

INSTALLATION

AND

OPERATION

INSTRUCTIONS

WARNING

A MAJOR CAUSE OF CHIMNEY-RELATED FIRES IS FAILURE TO MAINTAIN REQUIRED CLEARANCES (AIR SPACES) TO COMBUSTIBLE MATERIALS.

IT IS UTMOST IMPORTANCE THAT THIS CHIMNEY BE INSTALLED ONLY IN ACCORDANCE WITH THESE INSTRUCTIONS.

TABLE OF CONTENTS

CERTIFICATION LABELS	2
RECOMMENDATION & APPLICATIONS	3
GENERAL INSTALLATION NOTES	4-5
UNIVERSAL COLLAR ASSEMBLY	6-7
INTERIOR STRAIGHT INSTALLATION - SINGLE FLOOR	8
INTERIOR STRAIGHT INSTALLATION - MULTIPLE FLOORS	9
OFFSET DEVIATION	10-11
ROOF SUPPORT	12
EXTERIOR INSTALLATION	13
SPECIALIZED COMPONENTS	14
REPLACEMENT PARTS	15-16
WARRANTY	17-18

These instructions must be followed in all details. Failure to do so may result in a hazardous installation.

Read these instructions and keep in a safe place for future reference.



Intertek

LISTED
W/N #: 18172
Report Number: 105368118MID-001B



Tested / Certified to the
following Standards:
UL103 TYPE HT
&
CAN / ULC-604


Selkirk Corporation
4460 44th Street S.E., Suite F
Grand Rapids, MI 49512
Toll Free: 1.800.992.VENT (8368)
info@selkirkcorp.com
www.selkirkcorp.com



Selkirk Canada
P.O. Box 526, Depot 1,
Hamilton, ON L8L 7X6
Toll Free: 1.888.SELKIRK (735.5475)
cscanada@selkirkcorp.com
www.selkirkcorp.ca

CERTIFICATION LABELS

 Intertek W/N #18172	LISTED TYPE HT FACTORY-BUILT CHIMNEY	HOMOLOGUÉ CHEMINÉE PRÉFABRIQUÉE
MODEL UltimatePlus 10" MODÈLE		
MINIMUM CLEARANCE TO COMBUSTIBLES: 50 MM (2 IN.) AIR SPACE TO COMBUSTIBLE MATERIALS AND BUILDING INSULATION OR AS ESTABLISHED BY FACTORY FURNISHED FIRESTOP SPACERS AND SUPPORT ASSEMBLY.	ESPACE LIBRE MINIMAL AUX MATÉRIAUX COMBUSTIBLES: ESPACE LIBRE DE 50 MM (2") AUX MATIÈRES COMBUSTIBLES ET À L'ISOLATION DE LA BÂTISSSE OU TEL QU'ÉTABLI PAR LES COUPE-FEU ET SUPPORTS FOURNIS PAR LE FABRICANT.	
WARNING FOLLOW INSTALLATION INSTRUCTIONS PACKAGED WITH SUPPORT ASSEMBLY. SUITABLE FOR INTERIOR OR EXTERIOR INSTALLATION	AVERTISSEMENT VOIR LE MODE D'INSTALLATION DU FABRICANT INCLUS AVEC L'ENSEMBLE DE SUPPORT. CONVIENT À UNE UTILISATION À L'EXTÉRIEUR OU À L'INTÉRIEUR	
REFER TO INTERTEK'S DIRECTORY OF BUILDING PRODUCTS FOR DETAILED INFORMATION.	SE RÉFÉRER AU RÉPERTOIRE D'INTERTEK POUR PLUS D'INFORMATION.	
(CERTIFIED TO : UL-103 TYPE HT & CAN/ULC-604)		
<u>CANADIAN APPLICATION:</u> 10" DIAMETER, FOR CONNECTION TO LIQUID OR GAS FIRED APPLIANCES NORMALLY PRODUCING FLUE GASES OF 540°C OR LESS	<u>APPLICATION CANADIENNE:</u> 10" DIAMÈTRE, POUR RACCORDEMENT AUX APPAREILS UTILISANT DES COMBUSTIBLES LIQUIDES OU GAZEUX DÉGAGEANT NORMALEMENT 540°C OU MOINS	
<u>USA APPLICATION:</u> CERTIFIED TO UL 103HT RESIDENTIAL TYPE AND BUILDING HEATING APPLIANCE CHIMNEY PART	<u>APPLICATION AMÉRICAINNE:</u> HOMOLOGUÉE UL 103HT PIÈCE DE CHEMINÉE POUR APPAREIL DE CHAUFFAGE RESIDENTIEL ET COMMERCIAL	
SELKIRK CORPORATION GRAND RAPIDS, MI SELKIRK CANADA INC. HAMILTON, ON	MADE IN / FABRIQUÉ AU CANADA NP373 REV. 00	

 Intertek W/N #18173	LISTED TYPE HT RESIDENTIAL TYPE AND BUILDING HEATING APPLIANCE CHIMNEY PART	HOMOLOGUÉ ACCESSORIES/ACCESSOIRES
MODEL UltimatePlus 10" MODÈLE	(CERTIFIED TO : UL-103 TYPE HT & CAN/ULC-604)	
PART OF A FACTORY-BUILT CHIMNEY INSTALL AND USE INSIDE OR OUTSIDE IN ACCORDANCE WITH INSTALLATION INSTRUCTIONS OF THE CHIMNEY. REFER TO INTERTEK'S DIRECTORY OF BUILDING PRODUCTS FOR DETAILED INFORMATION.	PIÈCE COMPOSANTE POUR CHEMINÉE PRÉFABRIQUÉE À UTILISER ET INSTALLER À L'INTÉRIEUR OÙ À L'EXTÉRIEUR SELON LE MANUEL D'INSTALLATION DE LA CHEMINÉE. SE RÉFÉRER AU RÉPERTOIRE D'INTERTEK POUR PLUS D'INFORMATION.	
SELKIRK CORPORATION GRAND RAPIDS, MI SELKIRK CANADA INC. HAMILTON, ON	MADE IN / FABRIQUÉ AU CANADA NP374 REV. 0	

RECOMMENDATIONS

It is important these installation instructions are followed.

We highly recommend this product be installed and serviced by professionals who are certified in the U.S.A by NFI (National Fireplace Institute) or CSIA or in Canada by WETT (Wood Energy Technology Transfer) or l'APC (l'association des professionnels du chauffage).

Clear the working space to give you freedom of movement during the installation. Be sure to clear any insulation that has been placed over the area where the chimney will penetrate the ceiling above the fireplace.

Clearance

The clearances stated in this guide are minimum requirements: if more space is available, use it. Minimum clearances mean leaving unobstructed air space. Do not fill these spaces with any material whatsoever, especially not home insulating material except specified otherwise. If you insulate your attic later, be sure to maintain the necessary clearance.

Inspection

Contact local building or fire officials about restrictions, installation inspections and permits that may be required in your area.

Replacement Parts

If a component of your chimney system is damaged it must be replaced by an identical one from the UltimatePlus 10" Chimney.

APPLICATIONS

FACTORY-BUILT FIREPLACES

In the USA, UltimatePlus 10" is listed to UL-103 Type HT, 2100°F.

In Canada, UltimatePlus 10" is listed to CAN/ULC-604, ONLY when specified in the factory-built fireplace manufacturer's installation instructions.

UltimatePlus 10" is for use with specific factory-built fireplaces listed to UL 127 or CAN/ULC-S610 when specified in the factory-built fireplace manufacturer's installation instructions.

When doing so refer to the fireplace installation instruction for any specification regarding the chimney installation.

Do not burn sea driftwood or treated wood. These combustibles are highly corrosive to all types of stainless steel.

CREOSOTE - FORMATION AND NEED FOR REMOVAL

When wood is burned slowly, it produces tar and other organic vapours, which combine with expelled moisture to form creosote. The creosote vapours condense in the relatively cool chimney flue of a slow-burning fire. As a result, creosote residue accumulates on the flue lining. When ignited this creosote makes an extremely hot fire. UltimatePlus 10" chimney is not intended nor been designed to be used as a combustion or fire chamber. By burning kindling, scrap lumber, brush or other fast burning fuel, you can over fire your fireplace, which can produce flames and high temperatures all the way up the chimney. This can result in damages to the chimney and the fireplace.

When using your fireplace, we recommend that you:

1. Initially, inspect the chimney system weekly. You will learn how often it will be necessary to clean your chimney.
2. The chimney should be inspected at least once every 2 months during the heating season to determine if a creosote or soot build-up has occurred: if a significant layer of creosote has accumulated (3 mm or 1/8"), it should be removed to reduce the risk of chimney fire.
3. Have your chimney cleaned by a qualified chimney sweep. If you want to clean your chimney yourself: clean your chimney using plastic or stainless steel brushes. Do not use a brush that will scratch the stainless steel interior of your chimney.
4. Do not expect chemical chimney cleaners to keep your chimney clean. Their use does not negate the necessity of periodically inspecting and a mechanical cleaning of the chimney.

WARNING

In Case of Fire: If a flue fire occurs, close all appliance dampers and source of combustion air, and call your Fire Department. Do not use the chimney again, until it has been inspected for possible damage.

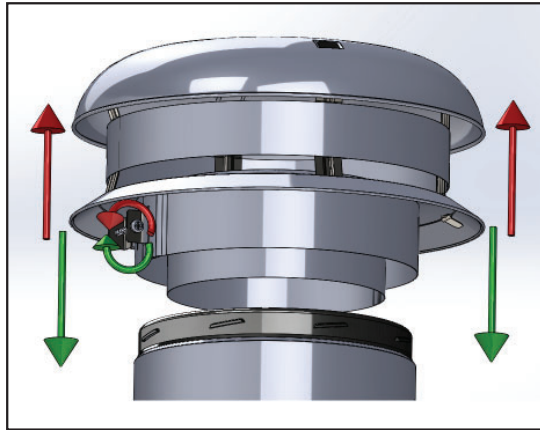
1

GENERAL INSTALLATION NOTES

CAP REMOVAL FOR MAINTENANCE

To remove cap, unscrew the collar screw to untighten the collar.

Pull on the cap to remove it from the chimney. To put the cap back in place, slide it over the chimney and then tighten the collar using the collar screw.



ROOF OPENING CHART

CHIMNEY-SIZE	10"	
ROOF SLOPE	ROOF HOLE SIZE	
x/12	A	B
0	16-3/8"	16-3/8"
2/12	16-3/8"	16-19/32"
4/12	16-3/8"	17-1/4"
6/12	16-3/8"	18-5/16"
8/12	16-3/8"	19-11/16"
10/12	16-3/8"	21-5/16"
12/12	16-3/8"	23-5/32"

Table 2 - Refer to Figure 1

NOTE: ALL DIMENSIONS ARE IN INCHES.

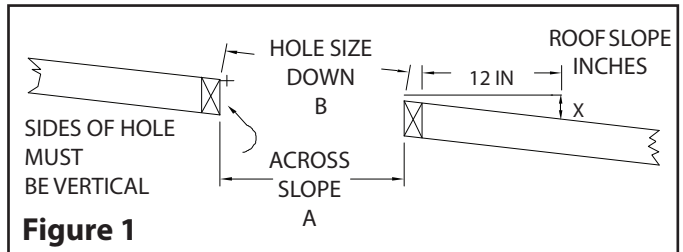


Figure 1

SIZING CHART

CHIMNEY-SIZE	10 IN
OUTSIDE-DIAMETER	12 IN
FRAMING DIMENSION	
Firestop (FS)	16-3/8"
Firestop Radiation Shield (FRS)	16-3/8"
Adjustable Attic Insulated Shield (AAIS)	16-3/8"
MAX. SUPPORT HEIGHT*	
Roof Support (RS)	20'
Wall Support (WS)	14'
Clearance To Combustibles	2"

* NOTE: If greater height is required, use additional roof supports at intervals not exceeding 20'.

Table 1

INSTALLATION NOTES

- The chimney is intended for use with factory-built fireplaces certified with UltimatePlus 10".

Allowable flue gas temperatures:

Maximum continuous 1000° F (540°C)

Brief forced firing 1400°F (760°C)

Tested to 2100°F (1150°C) - 10 minutes (US)

Tested to 1700°F (925°C) - 30 minutes (Canada)

- The maximum height of chimney supported by UltimatePlus 10" Chimneys' supports are outlined in Table 1.
- The supports described in this manual should only be used with UltimatePlus 10" factory built chimney.
- Size the chimney in accordance with the appliance manufacturer's instructions
- When a Firestop (FS) is required, it is important to follow the framing dimensions for floor openings as prescribed in this manual (see Table 1).

NOTE: As an alternative a Firestop Radiation Shield (FRS) can be used. May be required by some fireplace manufacturers.

- A chimney servicing a fireplace shall not serve any other appliance.
- The chimney shall extend at least 3 ft above its point of contact with the roof and at least 2 ft higher than any wall, roof or adjacent building within 10 ft of it.
- The maximum height of an unguided chimney above the roof is 5 ft. If the chimney extends more than 5 ft. above the roof, a Roof Brace KIT (RBK) must be used.

1

GENERAL INSTALLATION NOTES (CONT'D)

9. Multi-Story: Consult local building codes for requirements in your area. In the U.S., the National Fire Protection Association Standard NFPA211 states: "Factory-built chimneys that pass through floors of buildings requiring the protection of vertical openings shall be enclosed with approved walls having a fire resistance rating of not less than one hour when such chimneys are located in a building less than 4 stories in height, and not less than 2 hours when such chimneys are located in a building more than 4 stories in height." In Canada, except in single-family and two-family dwellings, chimneys which extend through another story must have an enclosure with a fire resistance rating equal to or greater than that of the floor or roof assembly through which they pass.
10. Do not fill the 2" space around the chimney with household insulation or any other material unless specified otherwise. Insulation placed in this area could cause adjacent combustibles to overheat.
11. Self-tapping stainless screws are not required, but may be used to reinforce the connection and avoid accidental unlocking of chimney lengths. Use only 1/2" self-tapping screws. Do not penetrate the inner wall of the chimney.
12. When penetrating an exterior wall or ceiling/roof assembly, the vapor barrier must be repaired. This is easily accomplished by attaching the vapor barrier to the outer perimeter of any Firestop, Firestop Radiation Shield, Adjustable Attic Insulated Shield or Wall Shield component using approved sealant or tape, while also maintaining the minimum clearances-to-combustibles to the chimney's outer wall. When penetrating the building envelope, the gap between the outer layer of chimney and any Wall Shields can be sealed using high-temperature rated (316°C / 600°F) silicone caulking. Should you require further clarification, consult your local authority having jurisdiction.
13. The safe operation of a factory-built chimney assembly is based on the use of parts supplied by the manufacturer and the performance of the assembly may be affected if the combination of these parts is not used in actual building construction.

Acceptance of the assembly is void if the installation instructions are not followed.

14. Provisions must be made to ensure that all interior portions of the chimney be accessible for inspection and cleaning.

WARNING

The clearance between the chimney and combustible material must not be less than 2". Do not fill this area with insulation unless directed otherwise in these instructions.

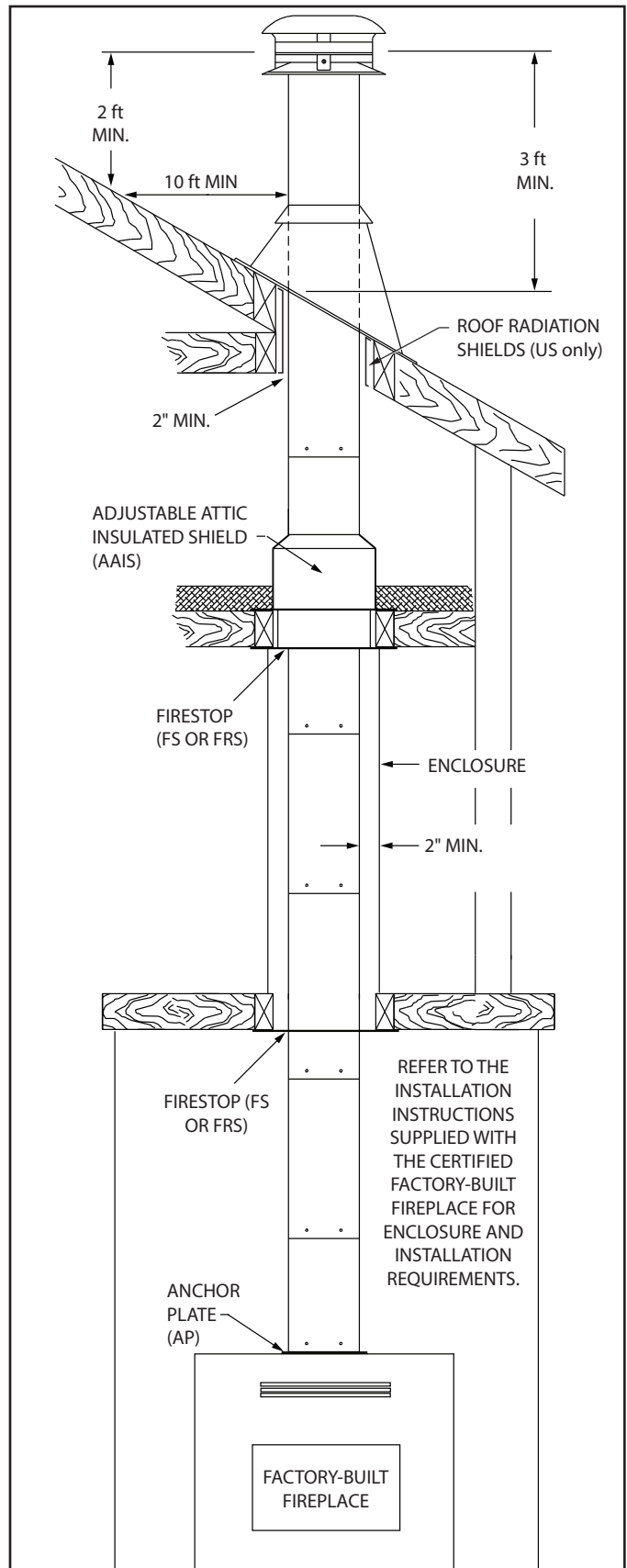


Figure 2

2

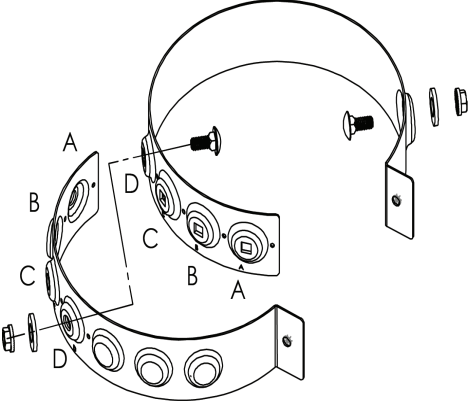
ASSEMBLY OF THE UNIVERSAL COLLAR

The following will assist in the assembly of the Universal Wall Support, Roof Support, Wall Band and Roof Brace Kit. All have the same Universal Collar. See Table 3 & Fig. A below for proper hole alignment for UltimatePlus 10" diameter.

TABLE 3

CHIMNEY MODEL	DIA	HOLE ALIGNMENT FOR UNIVERSAL COLLAR	SLIDING LEG ADJUSTMENT
UltimatePlus	10"	A-A	MAINTAIN THE MINIMUM AIR SPACE CLEARANCE OF 2" TO ALL COMBUSTIBLES

Fig. A



Universal Collar

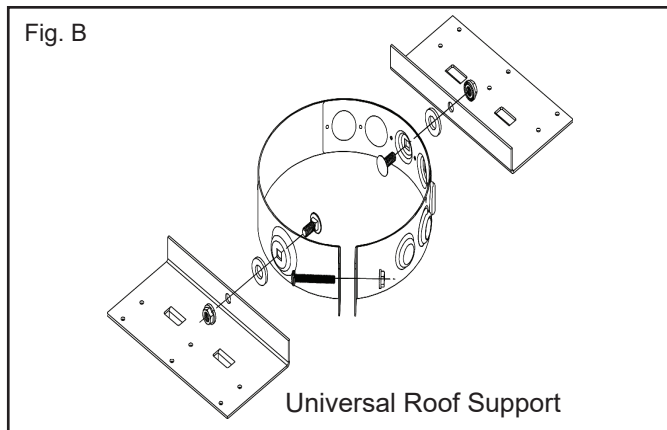
Universal Collar

1. Assemble the two (2) portions of the Universal Collar with the hole alignment found in Table 3 above. Use the supplied carriage bolt, washer and nut as per Fig. A.
2. Join the two (2) portions with the supplied nut and bolt. Do not tighten at this time.
3. Select which component the Universal Collar will serve. Go to these instructions.

Universal Roof Support (RS)

The maximum chimney height the Roof Support will support is 20 feet. If greater height is required use additional Roof Support at intervals not exceeding 20 feet.

1. Assemble the two (2) portions of the Universal Collar as described above under Universal Collar and Fig. A.
2. Attach the roof brackets to the Collar as per Fig. B.
3. Slip the assembled Roof Support down over the chimney length until the brackets rest on the roof or floor. Tighten the collar around the chimney.



4. Center the chimney and maintain the required 2" air space clearance to combustible materials. Secure the support to the roof or floor using (8) - 2-1/2" nails or (8) #8 - 1-1/4" wood screws.

Refer to page 12 and Figures 9 & 10 for more information.

Universal Wall Support (WS)

The maximum chimney height the Wall Support will support is 14 feet. If greater height is required use additional Wall Support at intervals not exceeding 14 feet.

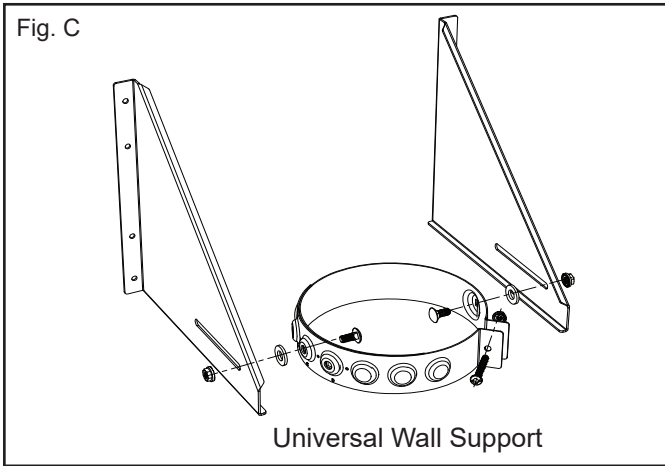
NOTE: The Wall Support can also be used as an Offset Support.

1. Assemble the two (2) portions of the Universal Collar as described above under the Universal Collar and Fig. A.
2. Attach the wall brackets to the Collar as per Fig. C.
3. Slip the support down over the first vertical chimney length to the proper location.
4. Tighten the collar around the chimney. Attach the support brackets to the wall using (8) 3" nails or (8) #10 x 1-1/4" wood screws.

Refer to page 13 and Figure 11 for more information.

2

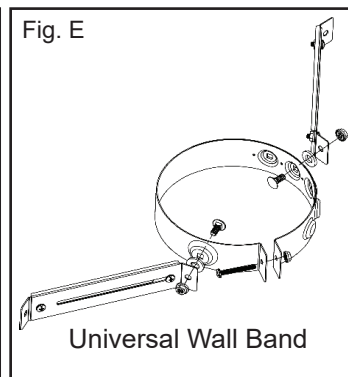
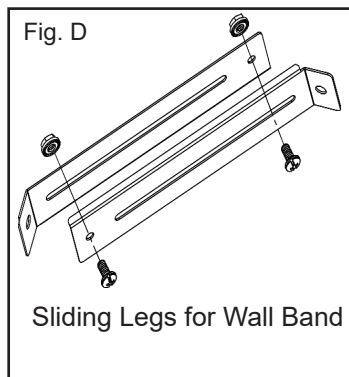
ASSEMBLY OF THE UNIVERSAL COLLAR (CON'T)



Universal Wall Band (WB)

1. Assemble the two (2) portions of the Universal Collar as described under the Universal Collar and Fig. A on page 6.
2. Assemble the 2 sliding legs together with the supplied nut and bolt (2 per legs) as per Fig. D.
3. Attach the 2 sliding legs to the Collar as per Fig. E.
4. Place the Universal Wall Band on a vertical chimney length to the selected location.
5. Secure the Universal Wall Band to the wall using two (2) #10 x 1-1/4" wood screws or appropriate fasteners. Maintain the minimum air space clearance of 2" from the outer chimney to the wall.

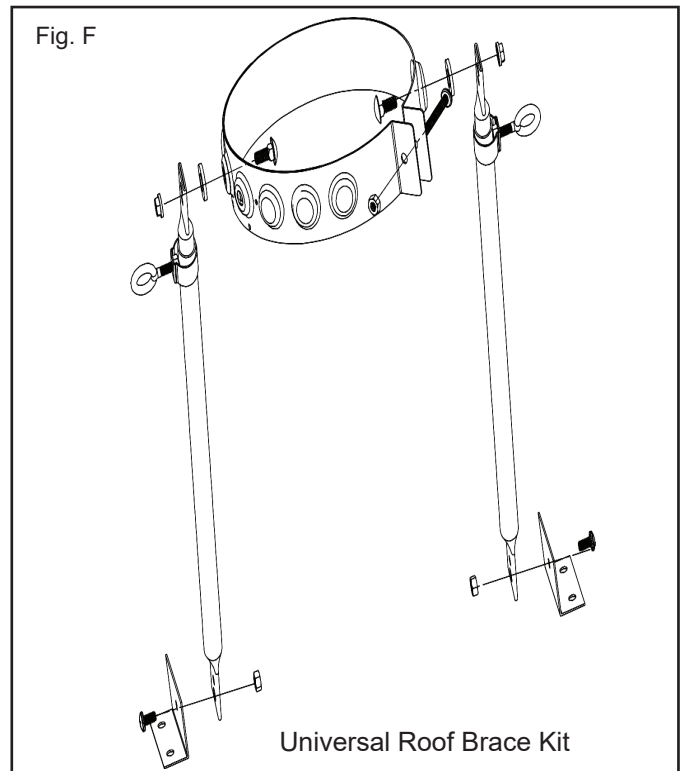
The Universal Wall Band must be used at 8' intervals and attached to a framing construction and not merely to the siding.



Universal Roof Brace Kit (RBK)

The preferred location is next to a joint, immediately above or below. Only one chimney joint should be above the collar of the Roof Brace Kit.

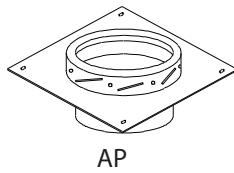
1. Assemble the two (2) portions of the Universal Collar as describe under the Universal Collar and Fig. A on page 6.
2. Secure one end of each adjustable leg to the Universal Collar as per Fig. F.
3. Attach the other end of the ajustable leg to the roof bracket as per Fig. F.
4. Position the adjustable legs so they form approximately a 60° angle with the chimney, and with each other. Make sure there is at least 3" of overlap between the top and bottom halves of the adjustable leg before securing in its final position with the eye bolt screw.
5. Determine the location of the two roof brackets on the roof structure. Ensure the fasteners are into rafters or framing and not just the roof sheathing.
6. Secure the roof brackets to the roof structure using two (2) 1/4" x 2" lag screws per brackets. Apply a thin layer of caulking under the roof brackets as well as over the lag screws.



3

INTERIOR STRAIGHT INSTALLATION - SINGLE FLOOR

The Anchor Plate (AP) is used on a factory-built fireplace to provide a positive connection to the chimney. It is not to be used in contact with any combustible material, such as on a wood floor.



Follow the installation instructions supplied with the Certified Factory-Built Fireplace for any specification regarding the chimney.

Step 1: Once the fireplace is installed, secure the Anchor Plate (AP) on the top of the fireplace as stated in the instructions. See Figure 3.

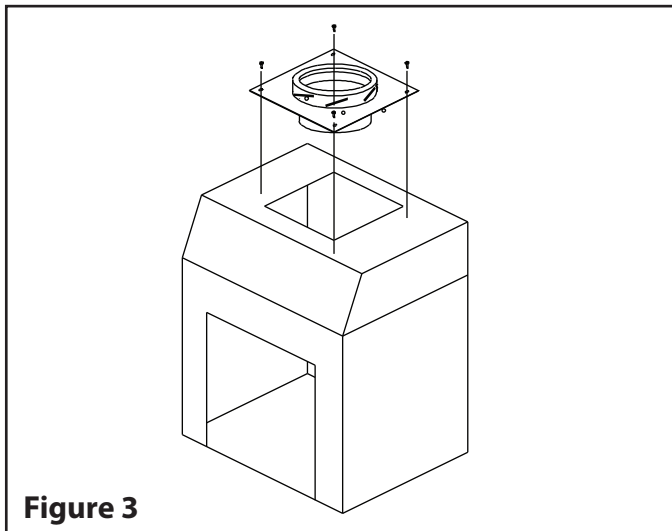


Figure 3

Step 2: Cut and frame the opening in the ceiling and roof where the chimney will pass as per the Framing Table 1 and Roof Opening Table 2 found on page 4.

NOTE: It is important to follow the cutting dimensions for floor openings as prescribed in this manual.

Step 3: Place the first chimney length onto the Anchor Plate. Twist clockwise to lock it into place. Follow the installation instructions supplied with the factory-built fireplace.

NOTE: Arrow on pipe label must be pointing up.

Step 4: At the attic level, install a Firestop (FS or FRS) from below and an Adjustable Attic Insulated Shield (AAIS) from above. See Figure 4.

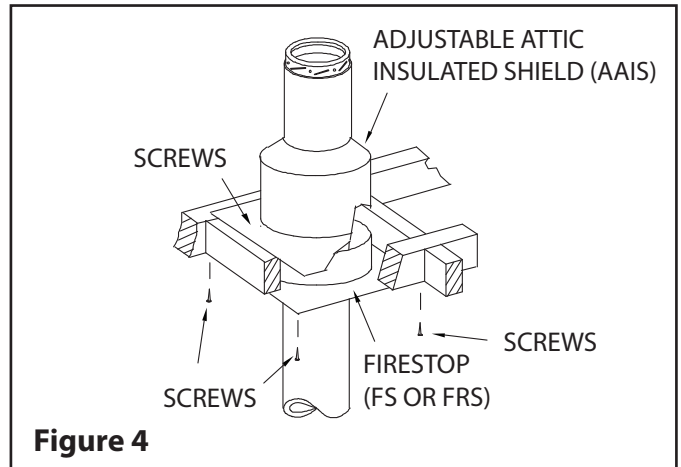


Figure 4

Step 5: Stack the next chimney length on the first length. Be sure the male and female threads are not in line when putting the lengths together. Turn the chimney clockwise to lock it in place. Continue until the required chimney height is reached.

Step 6: (USA ONLY) - ROOF RADIATION SHIELD
Install the Roof Radiation Shield in the roof joists. The shield consists of (4) metal plates supplied with the Roof Flashing. Nail these plates to each side of the joists using (2) -2 1/2" nails. See Figure 2.

Step 7: ROOF FLASHING INSTALLATION - Put the roof flashing in place. Seal the joint between the roof and the flashing with roofing compound. For sloping roofs, place the flashing under the upper shingles and on top of the lower shingles. Nail the flashing to the roof using roofing nails. Place the storm collar around the chimney and slide down on top of the flashing.

Step 8: Tighten the collar using the supplied bolt. Make sure the joint is properly caulked (Fig. 5). See page 4 for Chimney Cap installation.

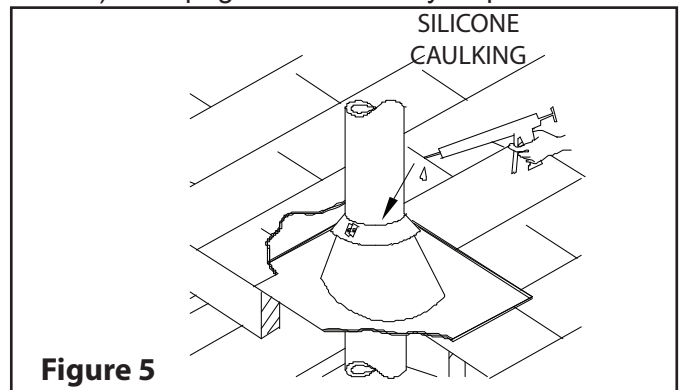


Figure 5

3

INTERIOR STRAIGHT INSTALLATION - MULTIPLE FLOORS

Step 1: Secure the Anchor Plate (AP) on the top of the factory-built fireplace as stated in the instructions.

Step 2: Cut and frame the opening in the ceiling and roof where the chimney will pass as per the Framing Table 1 and Roof Opening Table 2 found on page 4.

NOTE: It is important to follow the cutting dimensions for floor openings as prescribed in this manual.

Step 3: Place the first chimney length onto the Anchor Plate. Twist clockwise to lock it into place. Follow the installation instructions supplied with the factory-built fireplace.

NOTE: Arrow on pipe label must be pointing up.

Step 4: From below, install a Firestop (FS or FRS) in each floor through which the chimney passes.

Step 5: At the attic level, install a Firestop (FS or FRS) from below and an Adjustable Attic Insulated Shield (AAIS) from Above. See Figure 6.

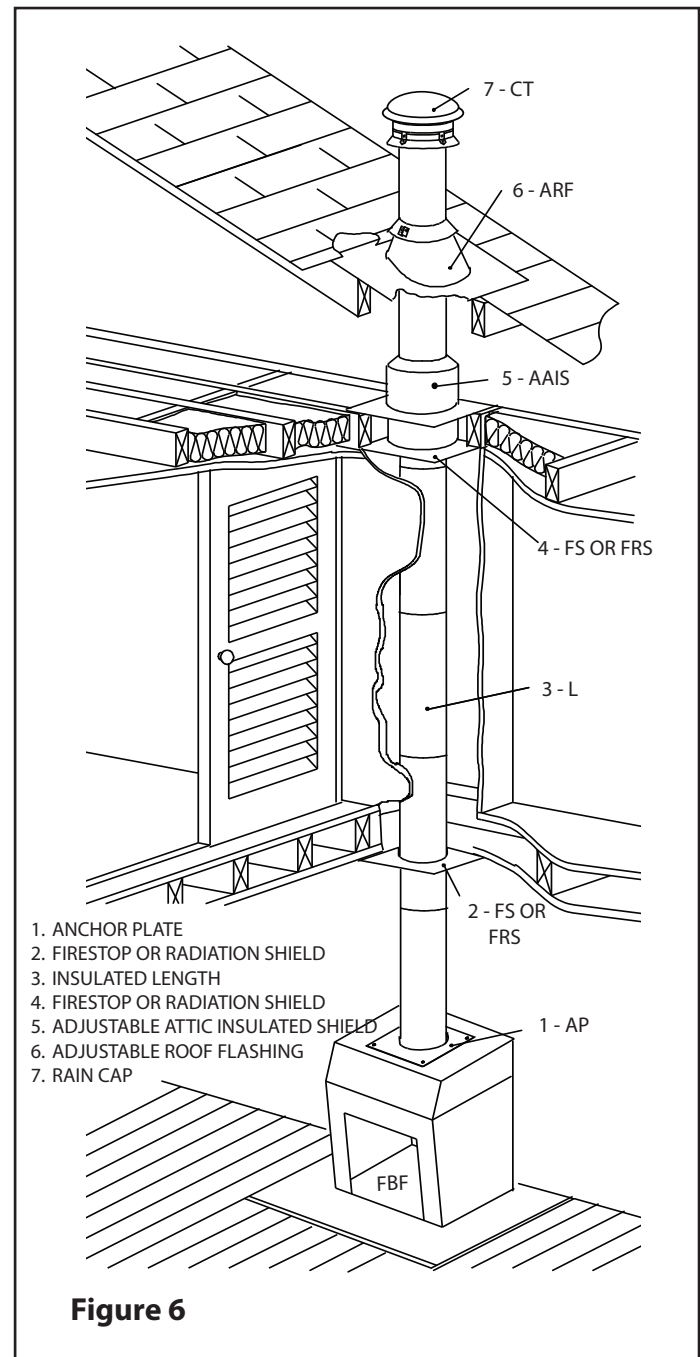
NOTE: A Firestop Radiation Shield may be required by some appliance manufacturers. Refer to the installation instructions supplied with the certified factory-built fireplace.

(USA ONLY) Install the Roof Radiation Shield in the roof joists. This shield consists of (4) metal plates supplied with the roof flashing. Nail these plates to each side of the joist using (2) - 2 1/2" nails. See Figure 2.

Step 6: Put the roof flashing in place. Seal the joint between the roof and the flashing with roofing compound. For sloping roofs, place the flashing under the upper shingles and on top of the lower shingles. Nail the flashing to the roof using roofing nails. Place the storm collar around the chimney and slide down on top of the flashing.

Step 7: Tighten the collar using the supplied bolt. Make sure the joint is properly caulked (see Figure 5).

Step 8: Refer to page 4 for Chimney Cap installation.



4

OFFSET DEVIATION

OFFSET CHIMNEY

It may be necessary to offset the chimney to clear an obstruction such as a joist or truss, or to position the chimney close to the ridge cap. A maximum of two offsets (4 elbows in all) is allowed in a chimney. **NOTE:** Refer to the installation instructions supplied with the certified factory-built fireplace.

The chimney must not be inclined more than 30° from vertical (USA) and 45° Canada. The minimum chimney height when using 15° offsets is 10'. The minimum chimney height when using 30° or 45° offsets is 15'. The maximum length of unsupported offset chimney is 6'. If the offset chimney is longer than 6', then it must be supported at 6' intervals using a Roof Support (RS) or Wall Support (WS).

NOTE: 45° Elbows - Canada Only.



WARNING

A support must always be installed right above each offset (two elbows) to support the chimney above the offset.

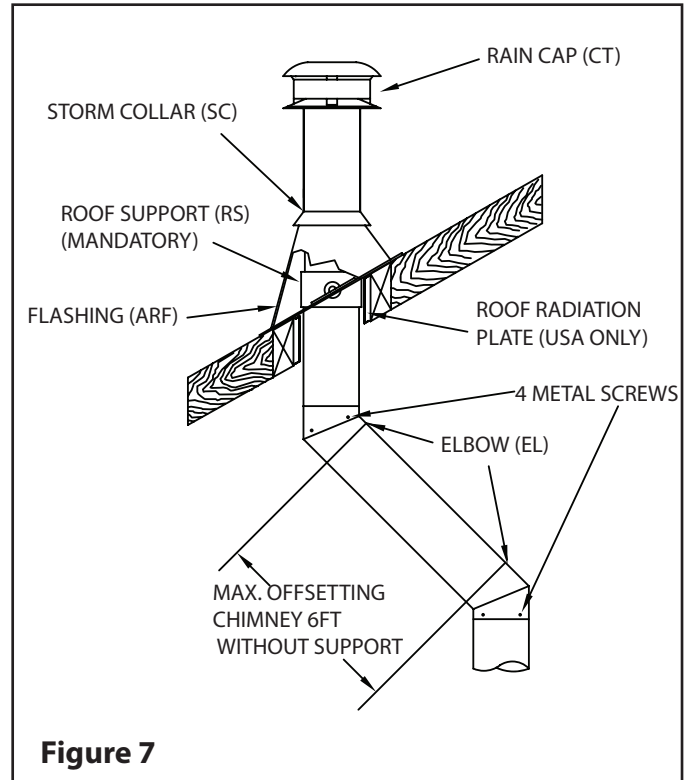
INSTALLATION INSTRUCTIONS

Install the required support and the chimney as described in the installation instructions. When you reach the height at which the elbow will be installed, proceed as follows:

Step 1. Install the insulated offset elbow on the vertical chimney length. Turn it in the required direction and fasten it to the chimney with the (4)-1/2" metal screws provided.

Step 2. Place the required offset chimney length (see Table 3) on the elbow. Turn it clockwise to lock it in place.

Step 3. Use another elbow to turn the chimney vertically. Again secure the elbow to the chimney length using the (4)-1/2" metal screws provided.



Step 4. Install the remaining chimney as described in the instructions for the Roof Support (see pages 6 and 10).

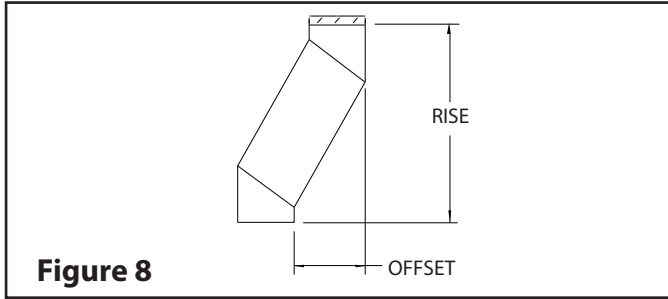
INSTALLATION CALCULATIONS

Determine the offset required in view of the obstacles that must be avoided (see Figure 7). Refer to Table 4 and Figure 8 to determine the elbows required as well as the insulated length needed.

If required, an adjustable length can be used to offset to the exact distance required.

4

OFFSET DEVIATION (CON'T)



OFFSET & RISE CHART MODEL ULTIMATEPLUS 10"

ANGLE	DIA.	INCHES	ONE LENGTH BETWEEN ELBOWS						TWO LENGTHS BETWEEN ELBOWS					
			8	12	18	24	36	48	8 & 48	12 & 48	18 & 48	24 & 48	36 & 48	48 & 48
15°	10"	Offset	3-5/16	4-5/16	5-7/8	7-7/16	10-1/2	13-5/8	15-3/8	16-7/16	18	19-1/2	22-5/8	25-3/4
		Rise	15-11/16	19-9/16	25-3/8	31-3/16	42-3/4	54-3/8	60-15/16	64-13/16	70-9/16	76-3/8	87	99-9/16
30°	10"	Offset	7-7/16	9-7/16	12-7/16	15-7/16	21-7/16	27-7/16	30-13/16	32-13/16	35-13/16	38-13/16	44-13/16	50-13/16
		Rise	20	23-1/2	28-11/16	33-7/8	44-1/4	54-11/16	60-9/16	64	69-1/4	74-7/16	84-13/16	95-1/4
45° (Canada Only)	10"	Offset	10-5/16	13-3/16	17-3/8	21-5/8	30-1/8	38-5/8	43-7/16	46-1/4	50-1/2	54-3/4	63-1/4	71-11/16
		Rise	17-13/16	20-5/8	24-7/8	29-1/8	37-5/8	46-1/8	50-15/16	53-3/4	58	62-1/4	70-3/4	79-3/16

Note: All dimensions are in inches.

Table 4

5

ROOF SUPPORT (RS)

ROOF SUPPORT (RS)

The Roof Support offers three functions:

- It may be used to support a chimney from the roof. It adjusts to any roof pitch.
- It may be used on a floor, ceiling or roof above an offset to support the chimney above the offset.
- It may be used on a floor, ceiling or roof as a supplementary support when the chimney height exceeds the factory-built fireplace supported height as per the supplied instructions (see fireplace installation instructions). See Maximum Support Height in Table 1 on page 4.

INSTALLATION INSTRUCTIONS

With the chimney extending through the opening in the roof, ceiling or floor proceed as follows (Refer to Figures 9 & 10 for visual references):

- Step 1. (USA ONLY) Install the roof radiation shields in the roof joists. These shields consist of four metal plates. Nail these plates to each side of the joist using (2) - 2 1/2" nails. See Figure 2.
- Step 2. Assemble the Roof Support's Collar to fit your chimney diameter. Continue to assemble the support as described in the instructions supplied with the support.
- Step 3. Slip the assembled Roof Support down over the stainless steel chimney until its brackets rest on the roof or floor. Tighten the collar around the chimney.
- Step 4. Center the chimney and nail or screw the support to the roof or floor using (8) - 2-1/2" nails or (8) #8 - 1-1/4" wood screws (see Figure 9).
- Step 5. Install the remaining chimney lengths, until the required chimney height is reached.

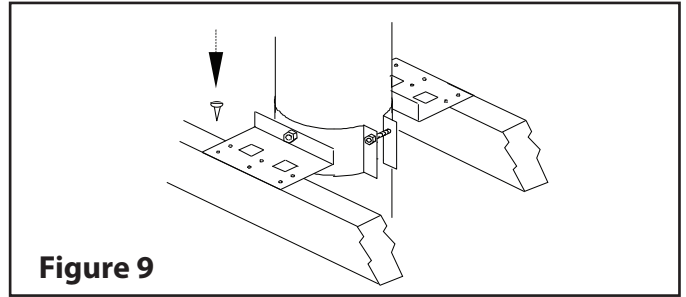


Figure 9

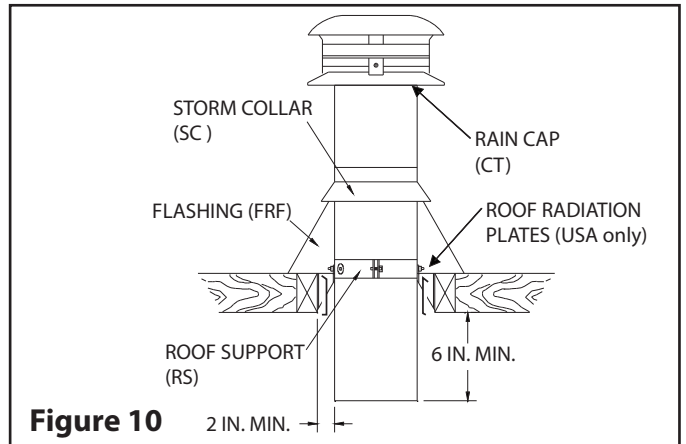


Figure 10

See page 6 and Figures A and B for additional information.

Step 6. ROOF FLASHING INSTALLATION

Put the roof flashing in place. Seal the joint between the roof and the flashing with roofing compound.

For sloping roofs, place the flashing under the upper shingles and on top of the lower shingles. Nail the flashing to the roof using nails. Place the storm collar around the chimney and slide down on top of the flashing. Tighten it with the bolt supplied making sure the joint is properly caulked (see Figure 5).

Step 7. Refer to page 4 for Chimney Cap installation.

6

EXTERIOR THROUGH THE WALL INSTALLATION

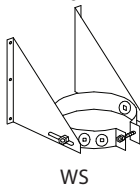
This chimney will provide optimum performance when installed within the heated space of a building. The consequences of installing the chimney outdoors, up the exterior wall of a building could result in:

- Back-drafting during cold weather when the connected appliance is not operating
- Weak, unstable draft
- Increased creosote accumulation
- Increased potential for condensation of water vapor in the chimney flue.

However, if you do install the chimney outside, we recommend it is enclosed in an insulated enclosure. See Figure 11.

INSTALLATION NOTES

1. The chimney may be enclosed or unenclosed.
2. Maintain 2" clearance to combustible materials. Do not fill the 2" space around the chimney with insulation or any other material.
3. A Wall Support (WS) must be used to secure the chimney to the wall when used on a factory-built fireplace in a through the wall installation with 30° offset or 45° offset (Canada only). The triangular plates allow for a 2-3/4" adjustment of the support to the vertical surface. See Figure 11. See Table 1 on page 4 for the maximum supported chimney height.



INSTALLATION INSTRUCTIONS

Step 1. Secure the Anchor Plate (AP) on the top of the factory-built fireplace as stated in the supplied factory-built fireplace instructions. Choose the the elbow and offset suitable for the installation and the appropriate angled Firestop.

Step 2: Assemble the collar of the Wall Support (WS) to fit your 10" chimney diameter. Continue to assemble the support as described on page 6 of these instructions.

Step 3. Slip the support down over the first vertical chimney length to the proper location.

Step 4. Tighten the collar around the chimney. Attach the support brackets to the wall using (8) 3" nails or (8) #10 x 1-1/4" wood screws.

NOTE: Be sure the support attaches to a framing and not merely to drywall or siding.

NOTE: A supplementary Wall Support may be required if the chimney height exceeds that of the primary support. Refer to Table 1.

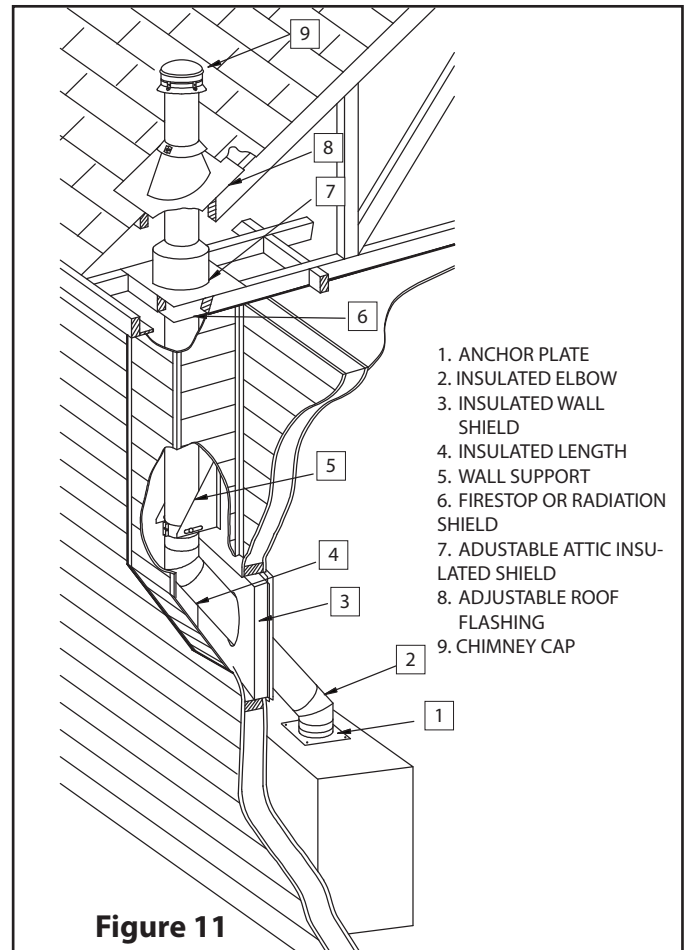


Figure 11

See pages 6 & 7, Figs. A & C for additional information.

Step 5. At 8' intervals, attach the chimney to the wall using a Wall Band (WB) or Wall Support (WS). **NOTE:** Be sure that the support attaches to a framing and not merely to the siding. Continue installing the chimney.

Step 6. If the chimney passes through the roof, cut a hole large enough to provide 2" clearance between the chimney and the roof. For pitch roof, see Roof Opening Chart - Table 2 on page 4.

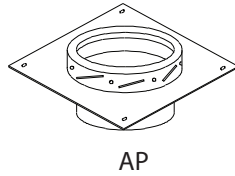
To continue, SEE STEPS 6 to 9, on page 8.

7

SPECIALIZED COMPONENTS

ANCHOR PLATE (AP)

This support is used on a factory - built fireplace to provide a positive connection to the chimney. It is not to be used in contact with any combustible material, such as on a wood floor.



INSTALLATION INSTRUCTIONS

Once the appliance is installed, bolt the Anchor Plate (AP) to it (see Figures 3, 6 and 11).

FACTORY-BUILT FIREPLACES

For factory-built fireplaces, follow the installation instructions supplied with the fireplace for any specification regarding the chimney.

INSULATED WALL SHIELD 30° or 45° (Canada Only)

These are used only with wood-burning fireplaces which have been certified for use with UltimatePlus 10".

ANGLED INSULATED RADIATION SHIELD (WRIS30/WRIS45) have been designed for use when UltimatePlus 10" connected to a certified factory-built fireplace which passes through a wall at an angle (see Figure 12 and Table 5).

	SIZE	
	WRIS30	WRIS45 (CANADA ONLY)
	10"	10"
A	45-5/16"	30-1/2"
B	19-3/8"	19-3/8"
C	15-3/8"	14-7/8"
D	39-1/4"	26"
E	3"	3"

Table 5 - Refer to Figure 12

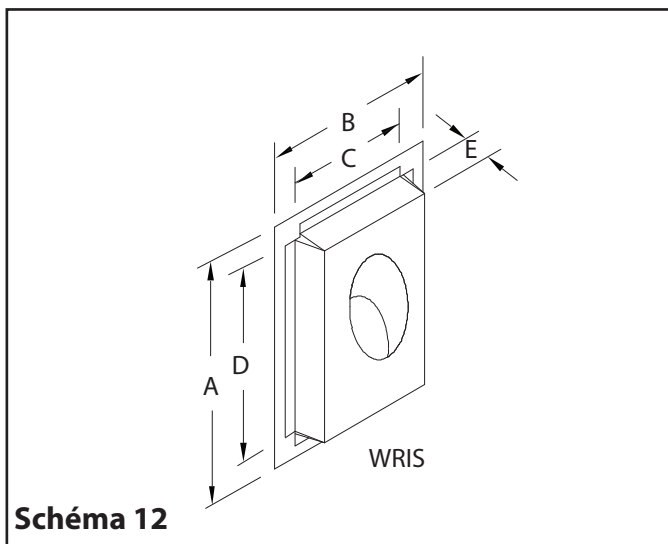


Schéma 12

8

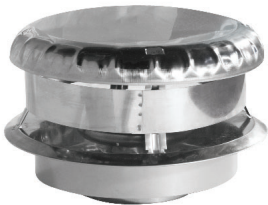
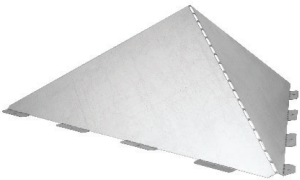
REPLACEMENT PARTS



LENGTHS & ELBOWS	
L8	8" LENGTH
L12	12" LENGTH
L18	18" LENGTH
L24	24" LENGTH
L36	36" LENGTH
L48	48" LENGTH
AL12	12" ADJUSTABLE LENGTH
EL15	15 DEGREE ELBOW
EL30	30 DEGREE ELBOW
EL45	45 DEGREE ELBOW (CANADA ONLY)
SUPPORTS	
WS	WALL SUPPORT
RS	ROOF SUPPORT
AP	ANCHOR PLATE
BRACES & FIRESTOPS	
FS	FIRESTOP
AFS30	ANGLED FIRESTOP - 30 DEGREE
AFS45	ANGLED FIRESTOP - 45 DEGREE
FRS	FIRESTOP RADIATION SHIELD
AAIS	ADJUSTABLE ATTIC INSULATED SHIELD
WRIS30	30° INSULATED WALL SHIELD
WRIS45	45° INSULATED WALL SHIELD

8

REPLACEMENT PARTS CON'T



RBK	ROOF BRACE KIT
WB	WALL BAND
GWB	GUY WIRE BAND (WIRE NOT INCLUDED)
VENTED FLASHING (STORM COLLAR INCLUDED)	
FRFR	FLAT ROOF FLASHING
ARF7R	ADJUSTABLE ROOF FLASHING 1/12 -7/12
ARF12R	ADJUSTABLE ROOF FLASHING 8/12 -12/12
ARF21R	ADJUSTABLE ROOF FLASHING 12/12 -21/12
SC	STORM COLLAR
USSA	UNIVERSAL SNOW SPLITTER
OTHERS	
CT	CHIMNEY CAP
USA	UNIVERSAL SPARK ARRESTER

**To order a replacement part, reach out to your nearest dealer, distributor,
or to: info@selkirkcorp.com in the USA
cscanada@selkirkcorp.com in Canada**

“SMART CHOICE” LIMITED LIFETIME WARRANTY

Selkirk Corporation, Amerivent (“Selkirk”, “Amerivent”, “we”, “us”, “our”) warrants our residential Chimney & Venting products (* defined below) to be free from defects in material and workmanship. For products installed after January 1, 2023, for a period of Ten (10) years from original installation, we will provide replacement product with a similar or like quality of available Selkirk product, **free of charge**, excluding any installation costs. From the Eleventh (11) through Fifteenth (15) years, we will provide replacement product at a cost of 75% off the published Retail Price in effect on the date the claim is received, excluding any installation costs. At expiration of the Fifteen (15) year term, we will provide replacement product at a cost of 50% off the published Retail Price in effect on the date the claim is received excluding any installation costs. This warranty coverage is non-transferable and applies exclusively to the original consumer.

PROFESSIONAL INSTALLATION:

If installation is performed by Professional Installers certified in Canada by WETT or APC or in the USA by NFI or CSIA, we will provide replacement product with a similar or like quality of available product, free of charge (excluding any installation costs) for the full Fifteen (15) years from the date of original installation. To be eligible for this additional warranty the consumer must provide a proof of installation by a Professional Installer when submitting a claim.

LIMITATIONS:

BUYER’S REMEDIES ARE LIMITED TO REPAIR OR REPLACEMENT OF THE PRODUCT AND DO NOT INCLUDE INSTALLATION COSTS. EXCEPT AS SET FORTH HEREIN, ALL OTHER WARRANTIES (EXPRESS OR IMPLIED, INCLUDING THE WARRANTIES OF MERCHANTABILITY AND FITNESS FOR A PARTICULAR PURPOSE) ARE HEREBY DISCLAIMED. IT IS AGREED THAT THIS SHALL BE THE SOLE AND EXCLUSIVE REMEDY OF THE BUYER. IN NO EVENT SHALL WE BE LIABLE FOR ANY CONSEQUENTIAL, SPECIAL OR PUNITIVE DAMAGES ARISING DIRECTLY OR INDIRECTLY FROM THE USE OF THE PRODUCTS WHETHER BASED ON WARRANTY, CONTRACT NEGLIGENCE OR STRICT LIABILITY.

ALL LENGTHS, TEES, ELBOWS, AND COMPONENTS SUPPLIED BY US ARE SUBJECT TO WARRANTY COVERAGE. PRODUCT SUPPLIED BY US AS REPLACEMENT FOR ORIGINAL MATERIAL WILL BE SUBJECT TO A ONE-YEAR WARRANTY COVERAGE WITH THE EXCEPTION OF SAF-T PIPE WHICH IS SUBJECTED TO A 5 YEAR LIMITED WARRANTY COVERAGE FROM DEFECTS IN MATERIAL OR WORKMANSHIP WHEN PROPERLY INSTALLED PURSUANT TO THE MANUFACTURER’S INSTALLATION INSTRUCTIONS AND APPROPRIATE CODES.

WARNING: FAILURE TO INSTALL OR OPERATE PRODUCTS ACCORDING TO THE MANUFACTURER’S INSTRUCTIONS, OR FAILURE TO USE PRODUCTS WITH RESIDENTIAL APPLIANCES THAT HAVE BEEN CERTIFIED AT AN ACCREDITED LABORATORY WILL VOID ALL APPLICABLE WARRANTIES.

THIS WARRANTY DOES NOT COVER:

- (a) any non-stainless base tee unit mounted or connected to an Insulated Chimney system;
- (b) costs (labor or otherwise **) associated with either removing a previously installed product, installing a replacement product, transportation or return of a product, or transportation of replacement product;
- (c) damage to the finish of products caused by the use of improper solvents/chemicals or improper (or lack of) cleaning methods;
- (d) damage resulting from normal wear and tear, corrosion from salt air or failure to reasonably clean, care for or maintain products in accordance with our installation instructions/recommendations;
- (e) damage (to products, appliances or structure) based on or resulting from improper installation or repair, misuse or abuse (including, but not limited to, excessive or improper operating condition), or alteration or adjustment other than in conformity with our installation instructions and specifications, whether performed by a contractor, service company, technician, or yourself;
- (f) any products that have been moved from their original installation site;
- (g) damage caused by burning driftwood, garbage, or any other prohibitive material that has been burned in the appliance served by the chimney;
- (h) damage that results from accidents such as riot, fire, flood, high winds, “acts of God”, or any other contingency beyond our control.

** Due to the wide variance in installation practices and other conditions beyond our control, except as stated above, we do not guaranty or in any way warrant the installation of Chimney and Venting products.

CLAIM PROCEDURE: If you believe that a product is defective, notify us in writing at:



SELKIRK CANADA
P.O. Box 526, Depot 1,
Hamilton, Ontario, CANADA, L8L 7X6
ATTN: WARRANTY CLAIMS
1.888.735.5475
www.selkirkcorp.ca



SELKIRK CORPORATION
4460 44th Street S.E., Suite F
Grand Rapids, MI 49512
ATTN: WARRANTY CLAIMS
1.800.433.6341
www.selkirkcorp.com



AMERIVENT
4460 44th Street S.E., Suite F
Grand Rapids, MI 49512
ATTN: WARRANTY CLAIMS
1.800.423.4270
www.ameri-vent.com

Notification should include a description of the product, model and serial number (if applicable) and a description of the product defect. Upon receipt of a written claim under this limited warranty and evidence of the date of purchase or installation, at our option and in our sole discretion, we will provide replacement product with similar or like quality of available product excluding any installation costs. We reserve the right to inspect or investigate any warranty claims prior to determining whether to provide replacement product. If, as determined by us, that repair or replacement of the product is not commercially practicable or cannot be completed in a timely manner, we may refund the prorated purchase price paid for the product upon verification by providing a copy of your invoice or receipt of bill of sale.

*Products covered under this warranty: AFCL, ALT, BV (SD, MD, LD), CF, DCC, DFS, DSP, DT, DV, DWC, DWS/SWC, E, FC (JSC), EFC, GT, GTL, HT, HS/HSS, OV, PL, PSV, QC, R, RF, RP, RV, SAF-T LINER, SAF-T PIPE, SC (JM), SFCL, SPR, SPV, ST, SSSL, SSRL, TLC, UI, UP10”, UPP, USP, UT, UTL, VP, WV.

WARRANTY

This product has a limited lifetime warranty. Please read the warranty to be familiar with its coverage.

Retain this manual. File it with your other documents for future reference.

PRODUCT REFERENCE INFORMATION

Please contact Selkirk for the phone number of your nearest Selkirk dealer who will answer your questions or address your concerns.

Normally, all parts should be ordered through your Selkirk distributor or dealer. Parts will be shipped at prevailing prices at time of order.

When ordering repair parts, always give the following information:

1. The model number of the vent system.
2. The part number.
3. The description of the part.
4. The quantity required.
5. The installation date of the chimney system.

If you encounter any problems or have any questions concerning the installation or application of this system, please contact your dealer.

Selkirk Corporation
4460 44th Street S.E., Suite F
Grand Rapids, MI 49512
Toll Free: 1.800.992.VENT (8368)
info@selkirkcorp.com
www.selkirkcorp.com



Selkirk Canada
P.O. Box 526, Depot 1,
Hamilton, ON L8L 7X6
Toll Free: 1.888.SELKIRK (735.5475)
cscanada@selkirkcorp.com
www.selkirkcorp.ca

Selkirk reserves the right to make changes at any time, without notice, in design, materials, specifications, prices.
Consult your local distributor for chimney system code information.

