

# Ultimate Plus™

**6", 7", 8"**  
Factory-built CHIMNEY  
TYPE HT

## INSTALLATION

## AND

## OPERATION

## INSTRUCTIONS

**WARNING**

A MAJOR CAUSE OF CHIMNEY-RELATED FIRES IS FAILURE TO MAINTAIN REQUIRED CLEARANCES (AIR SPACES) TO COMBUSTIBLE MATERIALS.

IT IS OF THE UTMOST IMPORTANCE THAT THIS CHIMNEY BE INSTALLED ONLY IN ACCORDANCE WITH THESE INSTRUCTIONS.

TABLE OF CONTENTS	
CERTIFICATION LABELS .....	2
RECOMMENDATIONS .....	3-4
GENERAL INSTALLATION NOTES .....	4-7
INTERIOR STRAIGHT INSTALLATION - SINGLE FLOOR .....	8-9
INTERIOR STRAIGHT INSTALLATION - MULTIPLE FLOORS .....	10-11
INTERIOR INSTALLATION CATHEDRAL CEILING .....	12-14
OFFSET DEVIATION, ADJUSTABLE LENGTH .....	15-17
UNIVERSAL COLLAR ASSEMBLY .....	18-19
EXTERIOR INSTALLATION .....	20-24
INTERIOR INSTALLATION - BOILER/FURNACE/WATER HEATER ...	25-26
SPECIALIZED COMPONENTS .....	27-29
REPLACEMENT PARTS .....	30-31
WARRANTY and INSTALLATION INFO .....	32-33

These instructions must be followed in all details. Failure to do so may result in a hazardous installation.

**Read these instructions and keep in a safe place for future reference.**



LISTED  
W/N #: 18216, 18217

**Tested / Certified to the following Standards:**  
**UL103 TYPE HT**  
**CAN / ULC-629**  
**CAN / ULC-604**



**Selkirk Corporation**  
4460 44th Street S.E., Suite F  
Grand Rapids, MI 49512  
Toll Free: 1.800.992.VENT (8368)  
info@selkirkcorp.com  
www.selkirkcorp.com






**Selkirk Canada Inc**  
P.O. Box 526, Depot 1,  
Hamilton, ON L8L 7X6  
Toll Free: 1.888.SELKIRK (735.5475)  
cscanada@selkirkcorp.com  
www.selkirkcorp.ca



**Hart and Cooley LLC**  
4460 44th Street S.E., Suite F  
Grand Rapids, MI 49512  
Toll Free: 1.800.423.4270  
info@hartandcooley.com  
www.ameri-vent.com

# CERTIFICATION LABELS

 Intertek W/N #18216	<b>LISTED</b>	TYPE HT	<b>HOMOLOGUÉ</b>
	FACTORY-BUILT CHIMNEY		CHEMINÉE PRÉFABRIQUÉE
MODEL <b>ULTIMATE PLUS (UP) 6, 7 &amp; 8"</b> MODÈLE			
MINIMUM CLEARANCE TO COMBUSTIBLES: 50 MM (2 IN.) AIR SPACE TO COMBUSTIBLE MATERIALS AND BUILDING INSULATION OR AS ESTABLISHED BY FACTORY FURNISHED FIRESTOP SPACERS AND SUPPORT ASSEMBLY			ESPACE LIBRE MINIMAL AUX MATÉRIAUX COMBUSTIBLES: ESPACE LIBRE DE 50 MM (2") AUX MATIÈRES COMBUSTIBLES ET À L'ISOLATION DE LA BÂTISSÉ OU TEL QU'ÉTABLI PAR LES COUPE-FEU ET SUPPORTS FOURNIS PAR LE FABRICANT.
<b>WARNING</b> INSTALL AND USE IN ACCORDANCE WITH INSTALLATION INSTRUCTIONS OF THE CHIMNEY, PACKAGED WITH SUPPORT ASSEMBLY. SUITABLE FOR INTERIOR OR EXTERIOR INSTALLATION REFER TO INTERTEK'S DIRECTORY OF BUILDING PRODUCTS FOR DETAILED INFORMATION.			<b>AVERTISSEMENT</b> INSTALLER LA CHEMINÉE CONFORMÉMENT AUX DIRECTIVES D'INSTALLATION INCLUS DANS LES ASSEMBLAGES DE SUPPORT. CONVIENT À UNE UTILISATION À L'EXTÉRIEUR OU À L'INTÉRIEUR SE RÉFÉRER AU RÉPERTOIRE D'INTERTEK POUR PLUS D'INFORMATION.
<b>(CERTIFIED TO/CERTIFIÉ : UL-103 TYPE HT, CAN/ULC-629 &amp; CAN/ULC-604)</b>			
<b>CANADIAN APPLICATION:</b> LISTED TO CAN/ULC-629 FOR CONNECTION TO SOLID, LIQUID OR GAS FIRED APPLIANCES NORMALLY PRODUCING FLUE GASES OF 650°C OR LESS IN COMPLIANCE WITH CANADIAN CODES ESTABLISHED FOR THIS TYPE OF CHIMNEY. LISTED TO CAN/ULC-604 FOR CONNECTION TO LIQUID OR GAS FIRED APPLIANCES NORMALLY PRODUCING FLUE GASES OF 540°C OR LESS IN COMPLIANCE WITH CANADIAN CODES ESTABLISHED FOR THIS TYPE OF CHIMNEY.		<b>APPLICATION CANADIENNE:</b> HOMOLOGUÉE CAN/ULC-629 POUR RACCORDEMENT AUX APPAREILS UTILISANT DES COMBUSTIBLES SOLIDES, LIQUIDES OU GAZEUX DONT LA TEMPÉRATURE DES GAZ DE COMBUSTIONS N'EXCÈDE HABITUELLEMENT PAS 650°C CONFORMÉMENT AUX NORMES DU CODE CANADIEN POUR CE TYPE DE CHEMINÉE. HOMOLOGUÉE CAN/ULC-604 POUR RACCORDEMENT AUX APPAREILS UTILISANT DES COMBUSTIBLES LIQUIDES OU GAZEUX DONT LA TEMPÉRATURE DES GAZ DE COMBUSTIONS N'EXCÈDE HABITUELLEMENT PAS 540°C CONFORMÉMENT AUX NORMES DU CODE CANADIEN POUR CE TYPE DE CHEMINÉE.	
<b>USA APPLICATION:</b> CERTIFIED TO UL 103 TYPE HT RESIDENTIAL TYPE AND BUILDING HEATING APPLIANCE CHIMNEY PART		<b>APPLICATION AMÉRICAINE:</b> HOMOLOGUÉE UL 103 TYPE HT, PIÈCE DE CHEMINÉE POUR APPAREIL DE CHAUFFAGE RÉSIDENTIEL ET COMMERCIAL	
SELKIRK CORPORATION GRAND RAPIDS, MI	SELKIRK CANADA INC. HAMILTON, ON	HART & COOLEY LLC. GRAND RAPIDS, MI	LV MADE IN / FABRIQUÉ AU CANADA <b>NP380</b> REV. 00

 Intertek W/N #18217	<b>LISTED</b>	TYPE HT	<b>HOMOLOGUÉ</b>
	ACCESSORIES/ACCESSOIRES		
RESIDENTIAL TYPE AND BUILDING HEATING APPLIANCE CHIMNEY PART		PIÈCE DE CHEMINÉE D'APPAREIL DE CHAUFFAGE DE TYPE RÉSIDENTIEL ET DE BÂTIMENT	
MODEL <b>ULTIMATE PLUS (UP) 6, 7 &amp; 8"</b> MODÈLE			
<b>(CERTIFIED TO/CERTIFIÉ : UL-103 TYPE HT, CAN/ULC-629 &amp; CAN/ULC-604)</b>			
PART OF A FACTORY-BUILT CHIMNEY INSTALL AND USE IN ACCORDANCE WITH INSTALLATION INSTRUCTIONS OF THE CHIMNEY. SUITABLE FOR INTERIOR OR EXTERIOR INSTALLATION. REFER TO INTERTEK'S DIRECTORY OF BUILDING PRODUCTS FOR DETAILED INFORMATION.		PIÈCE COMPOSANTE POUR CHEMINÉE PRÉFABRIQUÉE À UTILISER ET INSTALLER SELON LE MANUEL D'INSTALLATION DE LA CHEMINÉE. CONVIENT À UNE UTILISATION À L'EXTÉRIEUR OU À L'INTÉRIEUR SE RÉFÉRER AU RÉPERTOIRE D'INTERTEK POUR PLUS D'INFORMATION.	
SELKIRK CORPORATION SELKIRK CANADA INC. HART & COOLEY	GRAND RAPIDS, MI HAMILTON, ON GRAND RAPIDS, MI	LV MADE IN / FABRIQUÉ AU CANADA <b>NP381</b> REV. 0	

## CAUTION

WARNING: RISK OF FIRE. DO NOT ENCLOSE THIS SHIELD. REMOVE THIS RADIATION SHIELD BEFORE ENCLOSING THE CHIMNEY IN ATTIC SPACE.

MAKE SURE NO HOUSE INSULATION IS IN CONTACT WITH THE CHIMNEY ABOVE THE ATTIC RADIATION SHIELD.

## AVERTISSEMENT

ATTENTION: RISQUE D'INCENDIE. NE PAS PLACER CE COUPE-FEU DANS UNE ENCEINTE. RETIRER LE COUPE-FEU AVANT D'INSTALLER UNE ENCEINTE AUTOUR DE LA CHEMINÉE DANS LE GRENIER.

ASSUREZ-VOUS QU'AUCUN MATÉRIEL ISOLANT NE SOIT EN CONTACT AVEC LA CHEMINÉE AU DESSUS DU COUPE-FEU DE GRENIER.

ETCS277 REV.01

## RECOMMENDATIONS

It is important these installation instructions are followed.

We highly recommend this product be installed and serviced by professionals who are certified in the U.S.A by NFI (National Fireplace Institute) or CSIA or in Canada by WETT (Wood Energy Technology Transfer) or l'APC (l'association des professionnels du chauffage).

Clear the working space to give you freedom of movement during the installation. Be sure to clear any insulation that has been placed over the area where the chimney will penetrate the ceiling above the appliance.

### Clearance

The clearances stated in this guide are minimum requirements: if more space is available, use it. Minimum clearances mean leaving unobstructed air space. Do not fill these spaces with any material whatsoever, especially not home insulating material except specified otherwise. If you insulate your attic later, be sure to maintain the necessary clearance.

### Inspection

Contact local building or fire officials about restrictions, installation inspections and permits that may be required in your area.

### Replacement Parts

If a component of your chimney system is damaged it must be replaced by an identical one from the UltimatePlus Chimney.

## APPLICATIONS

UltimatePlus 6", 7", 8" chimney has been designed for use with wood, gas, oil in residential, commercial and industrial applications, specifically developed for use with controlled-combustion stoves and wood burning fireplace.

In the USA, UltimatePlus 6", 7", 8" is listed to UL-103 Type HT, 2100°F.

In Canada, UltimatePlus 6", 7", 8" is listed to CAN/ULC-629, 2100°F. It is also designed for use with gas or oil fired heating appliances such as furnaces, water heaters, and other appliances, as per CAN/ULC-604.

UltimatePlus is suitable for use with closed or opened fireplaces certified for use with UltimatePlus. When doing so refer to the factory-built fireplace installation instructions.

The installation should comply with the appropriate Installation Codes such as CSA-B365, CSA-B149 or CSA-B139 when installed in Canada, and the Installation Codes NFPA 211 NFPA 31 and NFPA 54 in the United States.

If you are planning to install a wood stove, we recommend that you:

1. Choose the right size stove. Do not buy one larger than you need.
2. Connect only one appliance to a chimney.
3. Never overfire your stove. If any part of the stove or stove pipe is glowing red, then you are overfiring. Immediately close the stove's dampers until the system cools. The high temperature caused by overfiring can permanently damage the stove and stove pipe and may overheat nearby combustible walls and furniture.
4. Install the stove and stove pipe as describes in the installation instructions accompanying the stove. Be certain to maintain the required clearances to combustible construction.
5. Keep your flue gases between 300°F and 500°F. This will maximize efficiency while minimizing condensation and creosote formation. Do not fill your stove with wood and allow it to smolder for 8 to 10 hours. This condition produces large amounts of creosote in the chimney.
6. Do not burn sea driftwood or treated wood. These combustibles are highly corrosive to all types of stainless steel.

## CREOSOTE - FORMATION AND NEED FOR REMOVAL

When wood is burned slowly, it produces tar and other organic vapours, which combine with expelled moisture to form creosote. The creosote vapours condense in the relatively cool chimney flue of a slow-burning fire. As a result, creosote residue accumulates on the flue lining. **WARNING:** When ignited this creosote makes an extremely hot fire. UltimatePlus chimney is not intended nor been designed to be used as a combustion or fire chamber. By burning kindling, scrap lumber, brush or other fast burning fuel, you can over fire your system, which can produce flames and high temperatures all the way up the chimney. This can result in damages to the chimney and the appliance.

When using your appliance, we recommend that you:

1. Initially, inspect the chimney system weekly. You will learn how often it will be necessary to clean your chimney.
2. The chimney should be inspected at least once every 2 months during the heating season to determine if a creosote or soot build-up has occurred: if a significant layer of creosote has accumulated (3 mm or 1/8"), it should be removed to reduce the risk of chimney fire. Check spark arrestor screens at least every 2 to 4 weeks.
3. Have your chimney cleaned by a certified chimney sweep. If you want to clean your chimney yourself: clean your chimney using plastic or stainless steel brushes. Do not use a brush that will scratch the stainless steel interior of your chimney.
4. Do not expect chemical chimney cleaners to keep your chimney clean. Their use does not negate the necessity of periodically inspecting and a mechanical cleaning of the chimney.



### WARNING

**In Case of Fire: If a flue fire occurs, close all appliance dampers and source of combustion air, and call your Fire Department. Do not use the chimney again, until it has been inspected for possible damage.**

# 1

## GENERAL INSTALLATION NOTES

### SIZING CHART

CHIMNEY-SIZE	6"	7"	8"
OUTSIDE-DIAMETER	8"	9"	10"
<b>FRAMING DIMENSION REQUIRED</b>			
Reduced Clear. Support (IRCS)	10 1/8"	11 1/8"	12 1/8"
Square support (SCS)	12-1/8"	14-3/8"	14-3/8"
Ins. Wall Thimble (IWT)	12"	13-3/8"	14-3/8"
Round Support (RFSBT/RFSDT)	12-1/8"	14-3/8"	14-3/8"
Firestop (FS) / Firestop Radiation Shield 10" (FRS10) / Floor Support Plate (FSP)	12-3/8"	13-3/8"	14-3/8"
Adj. Attic Insulation Shield (AAIS)	12-3/8"	13-3/8"	14-3/8"
<b>MAX. SUPPORT HEIGHT **</b>			
Tee Support (BTWS/AIWS)	63'	55'	48'
Roof Support (URS)	34'	27'	24'
Square Cat. Support (SCS)	60'	50'	45'
Reduced Clearance Support (IRCS)	60'	50'	45'
Round Support (RFSBT/RFSDT)	75'	65'	59'
Offset/Wall Support (UWS)	28'	24'	20'
Insulated Tee (IT) *	63'	55'	50'
Anchor Plate (AP) and Floor Support Plate (FSP)	32'	32'	32'
Clearance To Combustibles	2"	2"	2"

Table 1

\* When installed on a concrete footing.

\*\* **NOTE:** If greater height is required, use additional roof supports at intervals not exceeding 30'

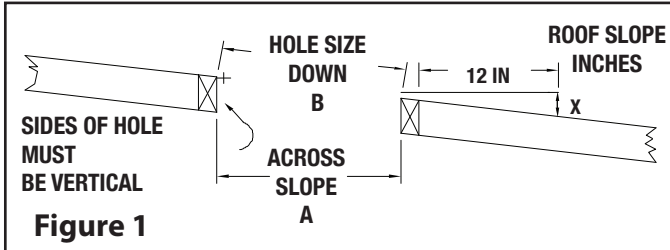
### ROOF OPENING CHART

CHIMNEY SIZE	6"		7"		8"	
ROOF SLOPE	ROOF HOLE SIZE					
x/12	A	B	A	B	A	B
0	12-3/8	12-3/8	13-3/8	13-3/8	14-3/8	14-3/8
2/12	12-3/8	12-1/2	13-3/8	13-1/2	14-3/8	14-9/16
4/12	12-3/8	13	13-3/8	14-3/32	14-3/8	15-5/32
6/12	12-3/8	13-13/16	13-3/8	14-15/16	14-3/8	16-3/32
8/12	12-3/8	14-7/8	13-3/8	16-1/16	14-3/8	17-1/4
10/12	12-3/8	16-1/8	13-3/8	17-7/16	14-3/8	18-23/32
12/12	12-3/8	17-1/2	13-3/8	18-29/32	14-3/8	20-11-32

Table 2 - Refer to Figure 1

# 1

## GENERAL INSTALLATION NOTES



### INSTALLATION NOTES

1. UltimatePlus6-8 is intended for use with solid, liquid, and gaseous fuel burning appliances for installation in the USA and Canada.  
Allowable flue gas temperatures:  
Maximum continuous 1000° F (540°C) - USA  
Maximum continuous 1200° F (650°C) - Canada  
Brief forced firing 1400°F (760°C)  
Tested to 2100°F (1150°C) - 3 x 10 minutes (USA)  
Tested to 2100°F (1150°C) - 3 x 30 minutes (Canada)

2. The maximum height of chimney supported by UltimatePlus Chimneys' supports are outlined in Table 1.
3. The supports described in this manual should only be used with UltimatePlus factory built chimney.
4. Size the chimney in accordance with the appliance manufacturer's instructions
5. When a Firestop (FS) is required, it is important to follow the framing dimensions for floor openings as prescribed in this manual (see Table 1).

NOTE: As an alternative a Firestop Radiation Shield (FRS10) can be used. May be required by some fireplace manufacturers.

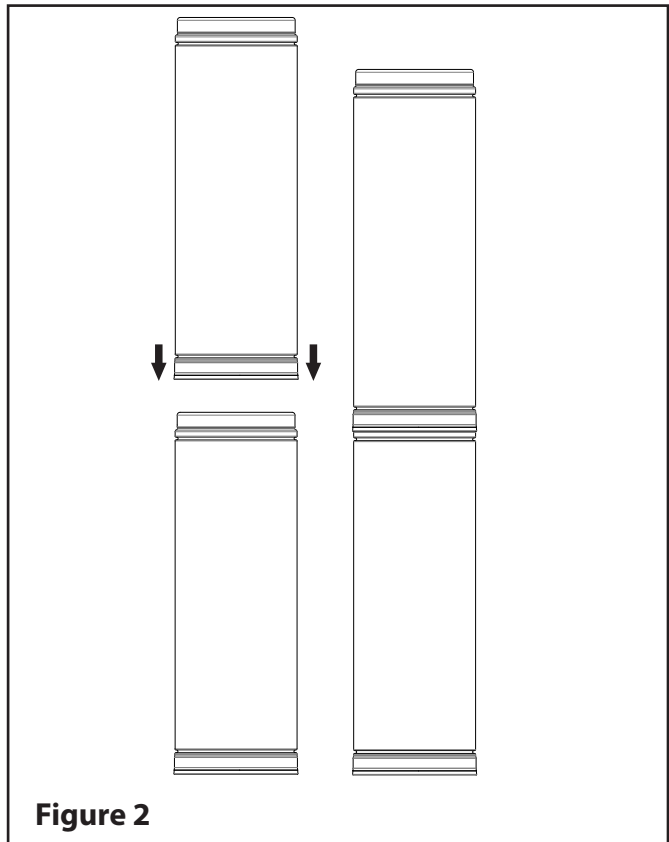
6. A chimney servicing a fireplace or incenerator shall not serve any other appliance.
7. The chimney shall extend at least 3 ft above the highest point of contact where it passes through the roof and at least 2 ft higher than any wall, roof or adjacent building within 10 ft of it.
8. The maximum height of an unguided chimney above the roof is 5 ft. If the chimney extends more than 5 ft. above the roof, a Roof Brace KIT (RBK) must be used.
9. Multi-Story: Consult local building codes for requirements in your area. In the U.S., the National Fire Protection Association Standard NFPA211 states: "Factory-built chimneys that pass through floors of buildings requiring

the protection of vertical openings shall be enclosed with approved walls having a fire resistance rating of not less than one hour when such chimneys are located in a building less than 4 stories in height, and not less than 2 hours when such chimneys are located in a building more than 4 stories in height." In Canada, except in single-family and two-family dwellings, chimneys which extend through another story must have an enclosure with a fire resistance rating equal to or greater than that of the floor or roof assembly through which they pass.

10. Do not fill the 2" space around the chimney with household insulation or any other material unless specified otherwise. Insulation placed in this area could cause adjacent combustibles to overheat.

### ULTIMATEPLUS - JOINT ASSEMBLY

For a joint assembly, simply lower the top length onto a lower length until the inlet end (female end) is fully seated over the outlet end (male end). NOTE: Sectional overlap is 1-1/8".



# 1

## GENERAL INSTALLATION NOTES - CONT'D

11. The joint of the chimney pipe and fittings must be assembled with a Locking Band (supplied). See Figure 3.
- Ensure the inlet end (female end) of the pipe is fully seated on the outlet end (male end) of the pipe.
  - Insert the Locking band into the inward bead located on both ends. Once fully engaged in the inward beads, secure locking band with the securing latch into the farthest lance (2nd lance), see Figure 3.

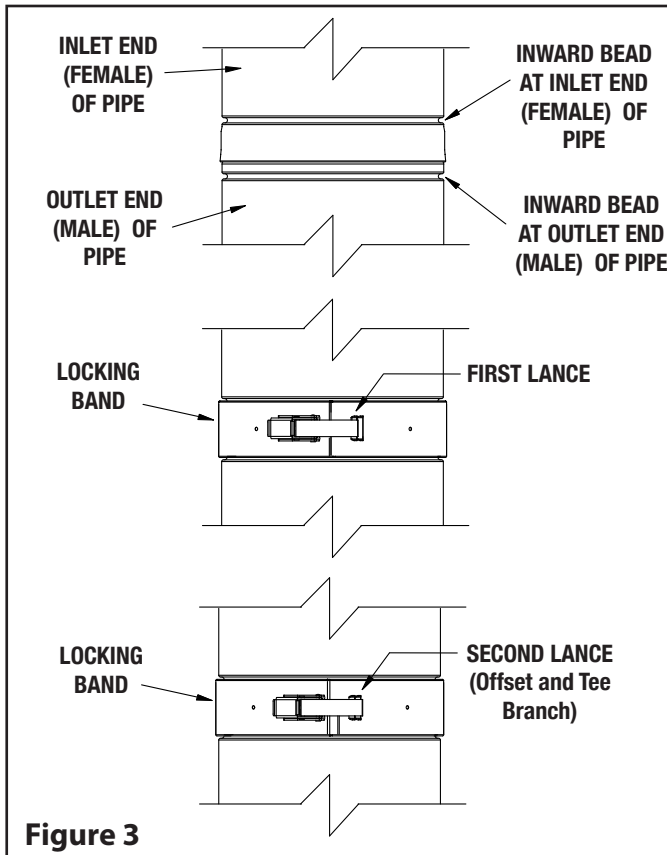


Figure 3

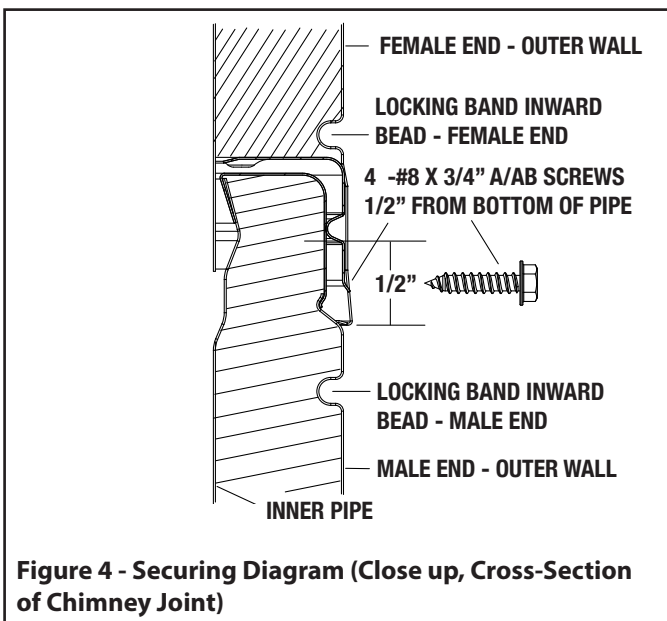


Figure 4 - Securing Diagram (Close up, Cross-Section of Chimney Joint)

**ELBOWS AND TEE BRANCH:** Locking Bands and 3 sheet metal screws must be used on all joints forming an offset and at the Tee Branch joint.

- Must latched into the furthest lance (2nd lance Fig 3).
- Secured with three (3) - #8 x 3/4" A/AB Stainless Steel screws, using the pre-pierced holes on each side of the latch and one opposite the latch through the locking band into the joint.

**NOTE: ALTERNATE JOINT SECURING:** As an alternate to the Locking Band, you can secure the joint with four (4) - #8 x 3/4" A/AB stainless steel screws (not supplied) Pre-drill if necessary. Must be evenly spaced, 1/2" from the end of the pipe. See Figure 4.

12. Approved insulation can be used within the following supports and their extension. It must be listed/compliant with ASTM E136/ULC S114 as non-combustible, have a melting temperature above 2000°F/1100°C, and be water resistant with low moisture absorption. Materials such as rockwool or mineral wool qualify.

**IMPORTANT:** Additional insulation around the chimney applies ONLY with:

- Insulated Reduced Clearance Support (IRCS) and the Support Extension (RCSE),
- Square Support (SCS) and the Support Extension (SCSE).

DO NOT attempt to field-insulate around the pipe at any other location or within any other component offered with UltimatePlus Chimney.

13. When penetrating an exterior wall or ceiling/roof assembly, the vapor barrier must be repaired. This is easily accomplished by attaching the vapor barrier to the outer perimeter of any Firestop, Firestop Radiation Shield, Adjustable Attic Insulated Shield, Wall Shield or Ceiling Support components, using approved sealant or tape, while also maintaining the minimum clearances-to-combustibles to the chimney's outer wall. When penetrating the building envelope, the gap between the outer layer of chimney and any Wall Shields can be sealed using high-temperature rated (316°C / 600°F) silicone caulking. Should you require further clarification, consult your local authority having jurisdiction.

14. The safe operation of a factory-built chimney assembly is based on the use of parts supplied by the manufacturer

### WARNING

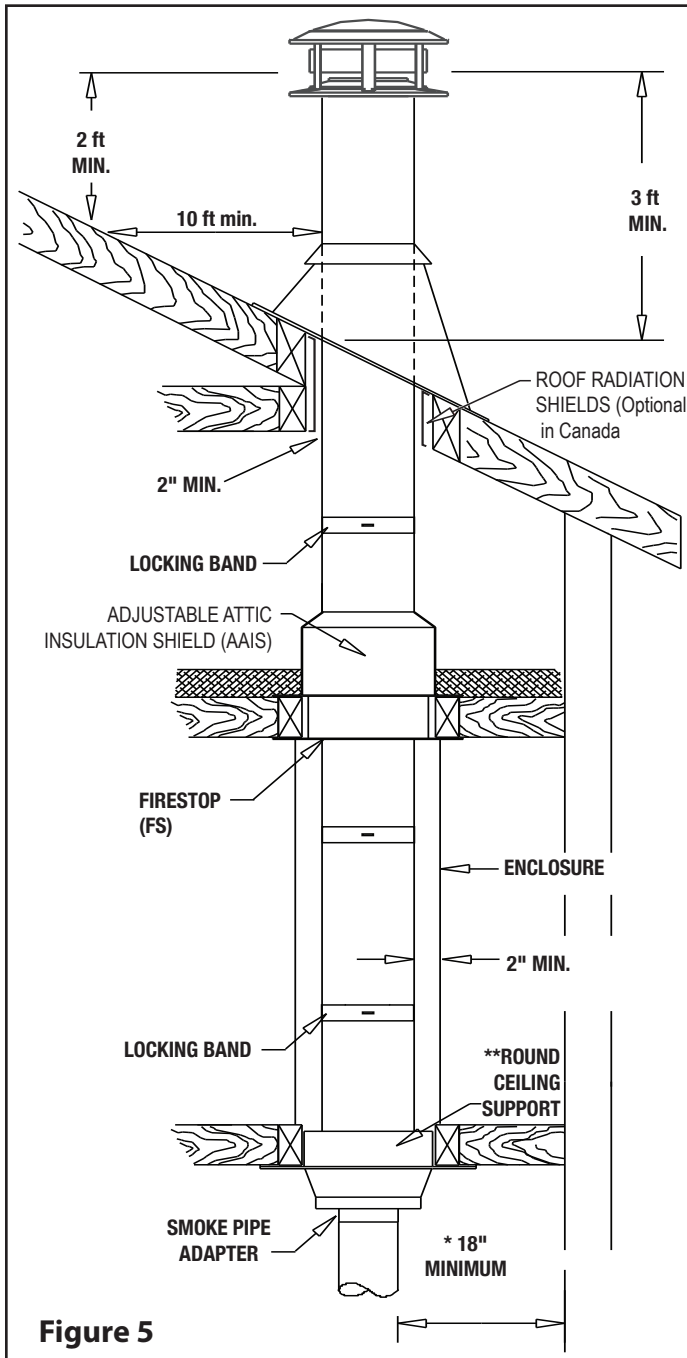
**The clearance between the chimney and combustible material must not be less than 2" unless established by support. Do not fill this area with insulation unless directed otherwise in these instructions.**

# 1

## GENERAL INSTALLATION NOTES (CONT'D)

and the performance of the assembly may be affected if the combination of these parts are not used in actual building construction.

15. Acceptance of the assembly is void if the installation instructions are not followed.
16. Provisions must be made to ensure that all interior portions of the chimney be accessible for inspection and cleaning.



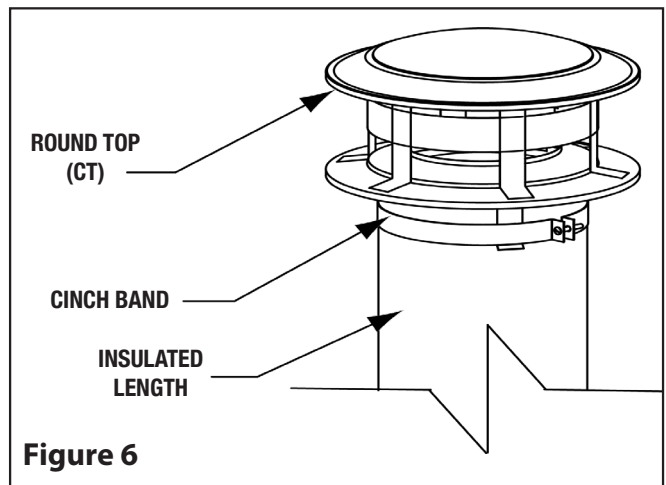
**Figure 5**

- \* CLEARANCE CAN BE REDUCED IF A LISTED CHIMNEY CONNECTOR IS USED.
- \*\* CLEARANCES CAN BE LESS THAN 2" WHERE ESTABLISHED BY THE SUPPORT.

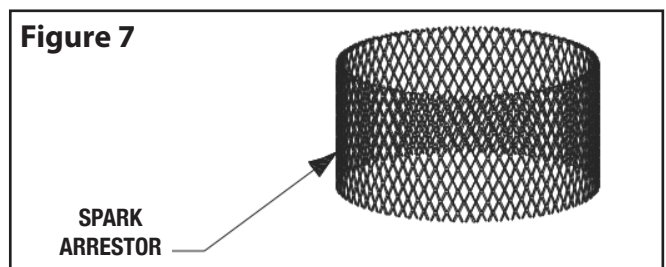
### ULTIMATEPLUS - ROUND TOP (CT)

Install the Round Top (CT) on the top section. Make sure the legs are on the outside of the chimney. position the cinch band over the legs and secure in place using the bolt and captured nut.

To remove the Round Top from the chimney for inspection and maintenance, remove the cinch band and lift the Round Top off. Reverse to re-install. NOTE: A Spark Arrestor (USA) is available. The preformed one piece simply slides over the Round Top with the flanged edge on top of the dome.



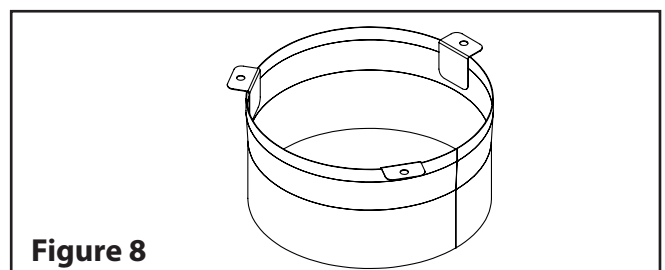
**Figure 6**



**Figure 7**

### ULTIMATEPLUS - SMOKE PIPE ADAPTOR (SPA)

The Smoke Pipe Adaptor is secured to the female end of a chimney length with 3 sheet metal screws (supplied) using the 3 angled brackets. Lower the prepared length into the support making sure it extends through the support opening.



**Figure 8**

NOTE: DIAGRAMS & ILLUSTRATIONS ARE NOT TO SCALE.

# 2

## INTERIOR STRAIGHT INSTALLATION - SINGLE FLOOR

### INSULATED REDUCED SUPPORT (IRCS) INSTALLATION

When using the Insulated Reduced Clearance Support (IRCS) at the attic level, the use of the adjustable attic insulation shield (AAIS) is not required. The Insulated Reduced Clearance Support (IRCS) acts as an attic radiation shield when installed with insulation and collar (provided). See figure 9.

NOTE: A Round Support (RFSBT) combined with an Adjustable Attic Insulation Shield (AAIS) can also be used for this application. Refer to page 10 for installation guide.

Step 1: Locate the chimney in a convenient place as near as possible to the appliance outlet.

Step 2: Cut and frame the opening in the ceiling and roof where the chimney will pass.

NOTE: It is important to follow the cutting dimensions for floor openings as prescribed in this manual.

Step 3: From below, push the Insulated Reduced Clearance Support into the framed opening in the ceiling. Ensuring the support is level, attach the support to the framed opening using (12) - 3" spiral nails or #8 x 1 1/2" wood screws (see Figure 9). A minimum of 3 1/2" of the support must extend into the room. Screw the Finish Trim (included) to the ceiling.

NOTE: A minimum of 3 1/2" of the support must extend down below the finished ceiling. This ensures minimum clearances are maintained to stovepipe. Fix the Finish Trim around the support using supplied screws. Refer to Figure 10 for visual.

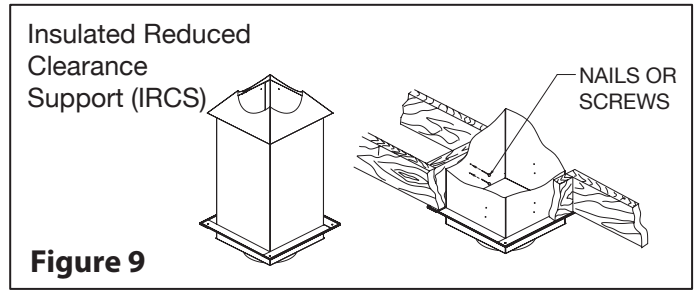


Figure 9

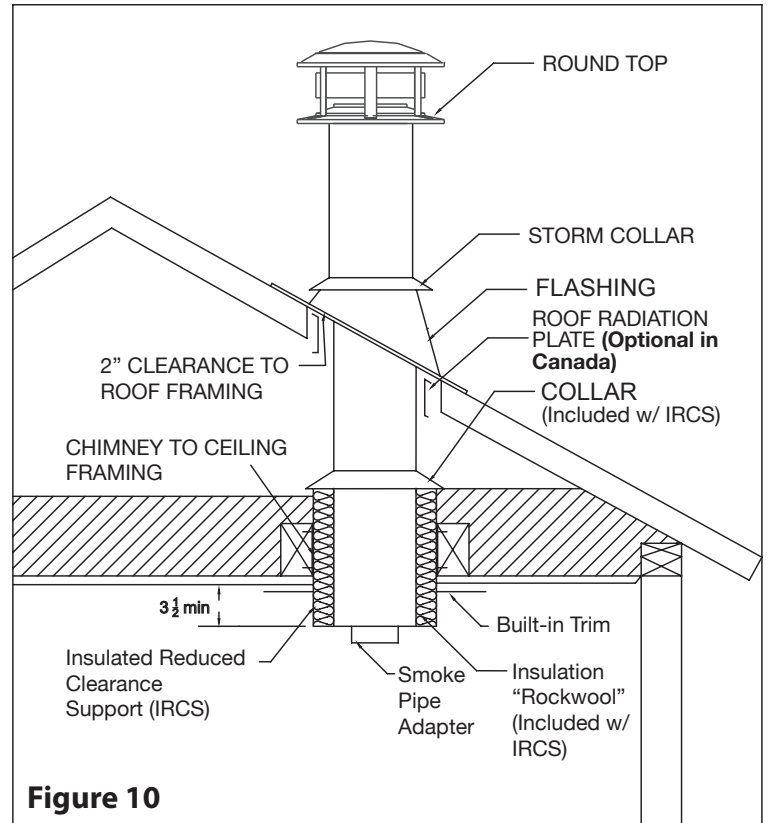


Figure 10

CHIMNEY SIZE	FRAMING DIMENSION	
	Insulated Reduced Clearance Support	ROOF
6"	10-1/8" x 10-1/8"	12-3/8" x 12-3/8"
7"	11-1/8" x 11-1/8"	13-3/8" x 13-3/8"
8"	12-1/8" x 12-1/8"	14-3/8" x 14-3/8"

Table 3



## 2

## INTERIOR STRAIGHT INSTALLATION - SINGLE FLOOR (CONT'D)

Step 4: Before lowering the chimney length into the support, install the Smoke Pipe Adapter (see page 7). Wrap the insulation pad around the chimney section removing any excess. Lower this first chimney length in the support. Make sure the Smoke Pipe Adapter protrudes through the opening of the support. Slide insulation pad into the space between the chimney section and support making sure the insulation makes contact with the bottom of the support. Additional pieces of insulation can be loosely tucked down within corners. Do not compress insulation. This reduces effectiveness.

**NOTE:** If needed a Support Extension (RCSE) can be attached to the support to increase its height. See page 13.

**NOTE:** Make sure arrow on pipe label is pointing upward.

Step 5: Place the Square-to-Round Collar, included with the ceiling support, around the chimney on top of the square support. Make sure it completely covers the top of the square support.

Step 6: Stack the next chimney length on the first length until fully seated. Install a Locking Band to secure the joint. Continue until the required chimney height is reached. See pages 5 & 6.

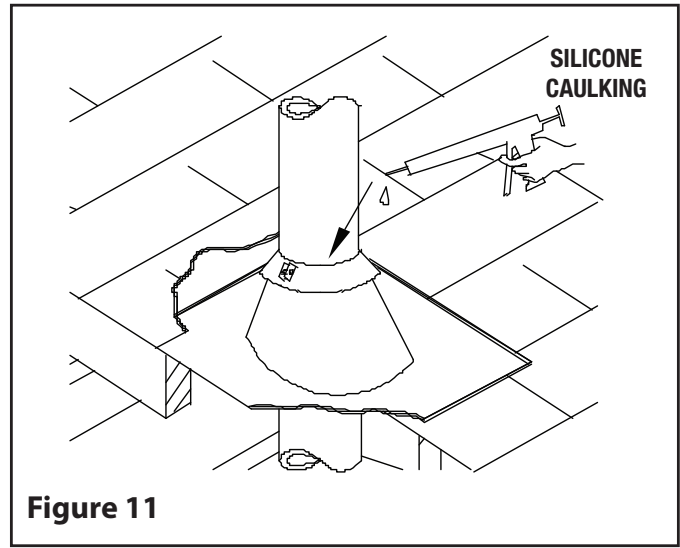
Step 7: **(OPTIONAL IN CANADA) - ROOF RADIATION SHIELD**  
Install the Roof Radiation Shield in the roof joists. This shield consists of (4) metal plates supplied with the Roof Flashing. Nail one plate to each side of the joists using (2) - 2 1/2" nails.

### Step 8: **ROOF FLASHING INSTALLATION**

Put the roof flashing in place. Seal the joint between the roof and the flashing with roofing compound.

For sloping roofs, place the flashing under the upper shingles and on top of the lower shingles. Nail the flashing to the roof using nails. Place the storm collar around the chimney and slide down on top of the flashing.

**ATTENTION!** Do not block the space between the flashing and the chimney. It is required to be fully open for the purpose of ventilation.



**Figure 11**

Step 9: Tighten the collar using the supplied bolt. Make sure the joint is properly caulked (see Figure 11).

Step 10: Attach the Round Top (CT) to the chimney (see page 7).

# 3

## INTERIOR STRAIGHT INSTALLATION - MULTIPLE FLOOR

IF USING THE INSULATED REDUCED CLEARANCE SUPPORT (IRCS), REFER TO TABLE 3 AND INSTALLATION GUIDE ON PAGE 8. COLLAR CAN BE DISCARDED.

### ROUND SUPPORT (RFSBT) INSTALLATION

Step 1. Locate the chimney in a convenient place as near as possible to the appliance outlet.

Step 2. Cut and frame the openings in the floor, ceiling and roof where the chimney will pass.

**NOTE:** It is important to follow the framing dimensions for the floor and roof openings prescribed in this manual.

	HOLE SIZE	
CHIMNEY SIZE	FINISH SUPPORT (RFSBT)	RADIATION SHIELD & ROOF *
6"	12-1/8" x 12-1/8"	12-3/8" x 12-3/8"
7"	14-3/8" x 14-3/8"	13-3/8" x 13-3/8"
8"	14-3/8" x 14-3/8"	14-3/8" x 14-3/8"

**Table 4**  
\* For sloping roofs see size Table 2 on page 4

Step 3. From below push the Round Support into the framed opening. Nail or screw the support to the framed box using (12) 3" spiral nails or #8 x 1 1/2" wood screws (see Figure 12). Refer to Figures 5 and 13 for visual.

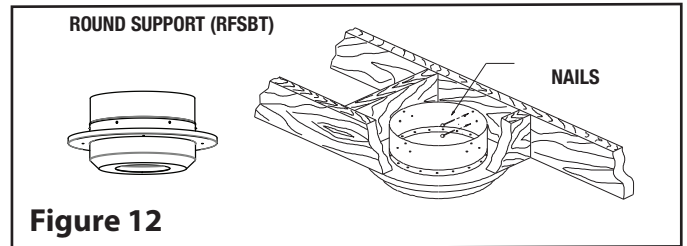


Figure 12

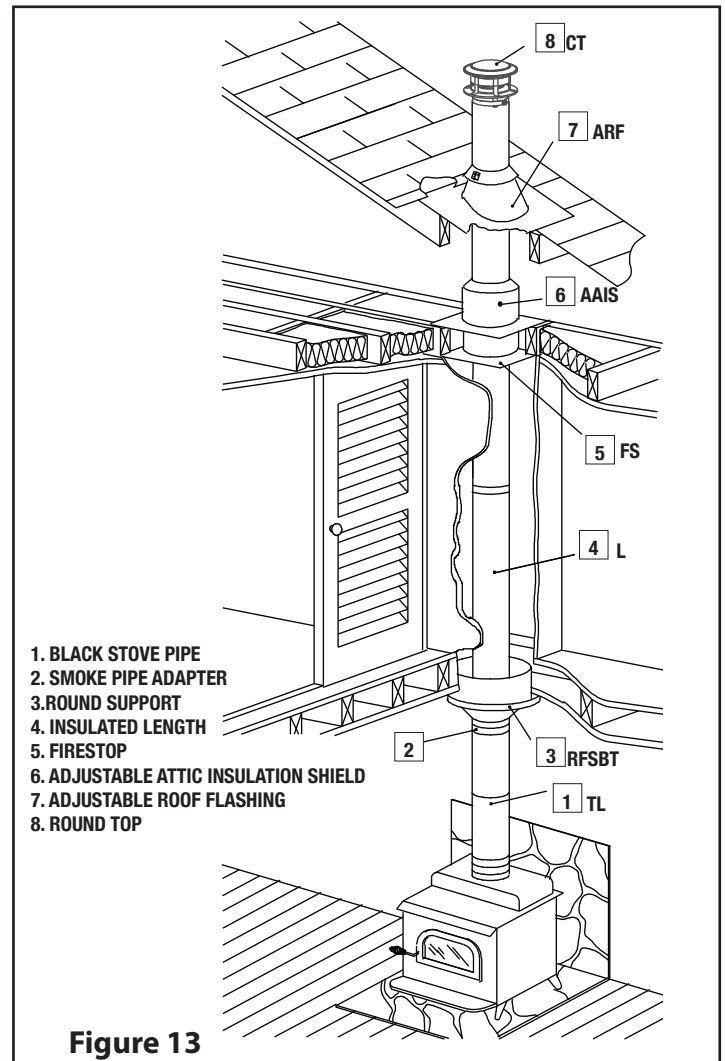


Figure 13

### 3

## INTERIOR STRAIGHT INSTALLATION - MULTIPLE FLOOR (CONT'D)

Step 4. Before lowering the chimney length into the support, install the Smoke Pipe Adapter (see page 7). Lower the prepared chimney length in the support. Make sure it protrudes through the opening of the support.

**NOTE:** Arrow on pipe label must be pointing up.

Step 5. From below, install a Firestop (FS) at each ceiling through which the chimney passes.

Step 6. Stack the next chimney length on the first length until fully seated. Install a Locking Band to secure the joint. See pages 5 and 6 for Joint Assembly. Continue until the required chimney height is reached.

Step 7. At the attic level, install a Firestop (FS or FRS10), from below and an Adjustable Attic Insulation Shield (AAIS) and Storm Collar from above. Secure to framing with 1" wood screws. (see Figure 14).

The Adjustable Attic Insulation Shield (Figure 14) is designed to keep insulation materials from coming into contact with the chimney. Adjustable from 12" to 22", it must meet the insulation level requirement of the National Building Code. Attic insulation must be 2" below the storm collar. Minimum overlap of 1" is required prior to securing the 2 halves (Upper and Lower Shields) together. See Figure 14a.

**NOTE:** If a joint is to be located within the Attic Insulation Shield, you will need to substitute the Locking Band with 4 sheet metal screws instead (refer to Figure 4 on page 6).

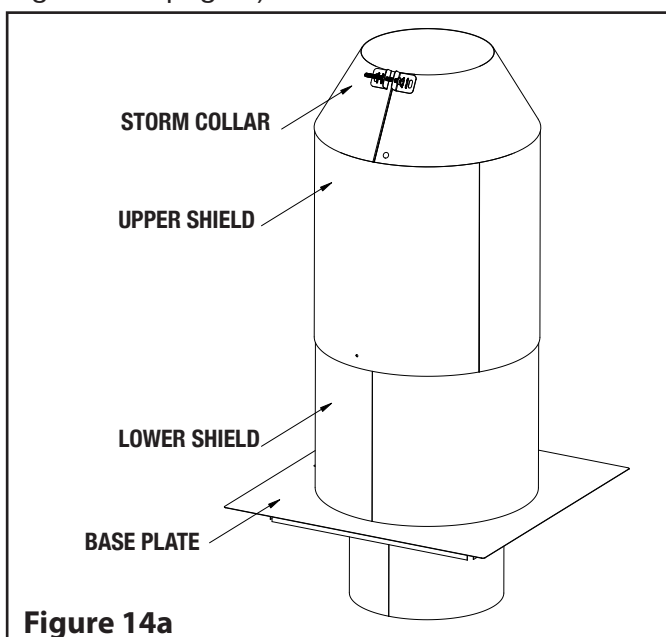


Figure 14a

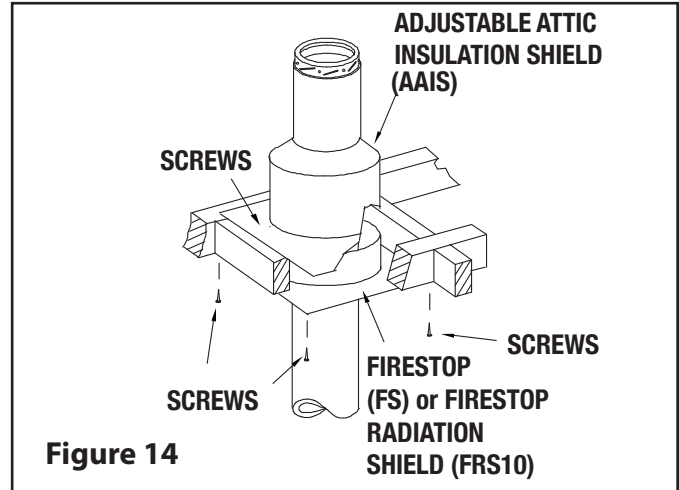


Figure 14

Step 8: **(OPTIONAL IN CANADA) - ROOF RADIATION SHIELD**

Install the Roof Radiation Shield in the roof joists. This shield consists of (4) metal plates supplied with the Roof Flashing. Nail one plate to each side of the joists using (2) - 2 1/2" nails.

Step 9. **ROOF FLASHING INSTALLATION**

Put the roof flashing in place. Seal the joint between the roof and the flashing with roofing compound.

For sloping roofs, place the flashing under the upper shingles and on top of the lower shingles. Nail the flashing to the roof using roofing nails.

Place the storm collar over the chimney and the flashing. Tighten it with the bolt supplied making sure the joint is properly caulked (see Figure 15).

**ATTENTION!** Do not block the space between the flashing and the chimney. It is required to be fully open for the purpose of ventilation.

Step 10. Attach the Round Top (CT) to the top of the chimney. See page 7.

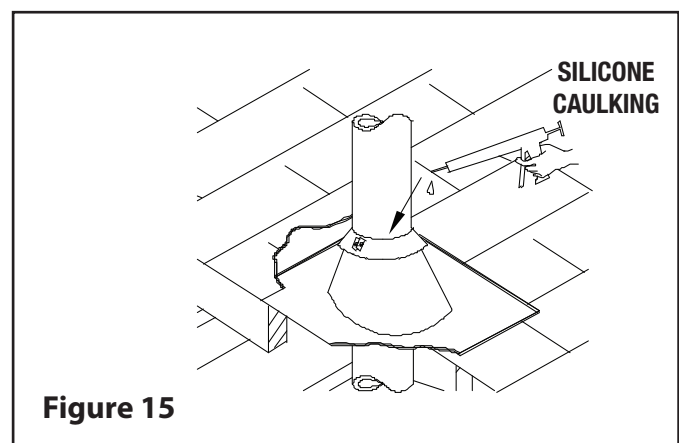


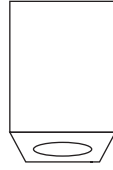
Figure 15

**NOTE: DIAGRAMS & ILLUSTRATIONS ARE NOT TO SCALE.**

# 4

## INTERIOR INSTALLATION CATHEDRAL CEILING

**NOTE:** The Insulated Reduced Clearance Support (IRCS) comes with a collar. It can be discarded for a Cathedral Ceiling application, it is not required (see Figure 16).



IRCS

Step 1: Locate the chimney in a convenient location as near as possible to the appliance outlet. Cut and frame an opening in the roof for the support (see Table 5). The sides of this hole must be vertical (see Figure 17).

Step 2: From above, place the support in the opening.

**NOTE:** The bottom portion of the support must extend below the ceiling. Distance will vary according to pitch (see Table 6). The minimum horizontal distance between the single wall stove pipe and the vertical surface is 18”.

Step 3: Use a level to ensure the support is vertical. If the support extends above the roof, cut it flush with the top of the roof. Attach the support to the framed opening using (12)-3” spiral nails or #8 x 1 1/2” wood screws (see Figure 16).

Step 4: Before lowering the chimney length into the support, install the Smoke Pipe Adapter (see page 7). Lower this first chimney length in the support. Make sure the Smoke Pipe Adapter protrudes through the opening of the support. Wrap the insulation pad around the chimney section removing any excess. Slide insulation pad into the space between the chimney section and support making sure the insulation makes contact with the bottom of the support. Additional pieces of insulation can be loosely tucked down within corners. Do not compress insulation. This reduces effectiveness.

Where desired, an extension (RCSE) is available for the support. This may be needed in steeper cathedral applications.

**NOTE:** See Note 12 under General Installation Notes on page 6 for approved insulation to use.

**TO CONTINUE INSTALLATION  
REFER TO STEP 6 THROUGH 10 ON PAGE 9.**

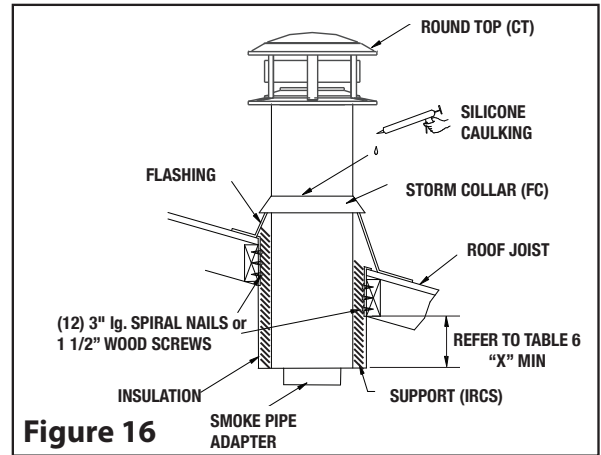


Figure 16

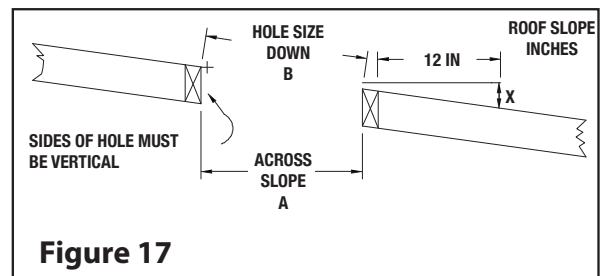


Figure 17

Chimney Size	Hole Size (Reduce Clearance Support)					
	6"		7"		8"	
Roof Slope	A	B	A	B	A	B
x/12						
0	10-1/8	10-1/8	11-1/8	11-1/8	12-1/8	12-1/8
2/12	10-1/8	10-1/4	11-1/8	11-1/4	12-1/8	12-1/4
4/12	10-1/8	10-5/8	11-1/8	11-3/4	12-1/8	12-3/4
6/12	10-1/8	11-1/4	11-1/8	12-1/2	12-1/8	13-1/2
8/12	10-1/8	12-1/8	11-1/8	13-1/4	12-1/8	14-1/2
10/12	10-1/8	13-1/4	11-1/8	14-1/2	12-1/8	15-7/8
12/12	10-1/8	14-1/4	11-1/8	15-3/4	12-1/8	17-1/8

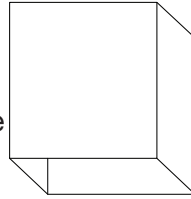
NOTE: ALL DIMENSIONS ARE IN INCHES. **Table 5**

# 4

## INTERIOR INSTALLATION CATHEDRAL CEILING (CONT'D)

### Reduce Clearance Support Extension (RCSE)

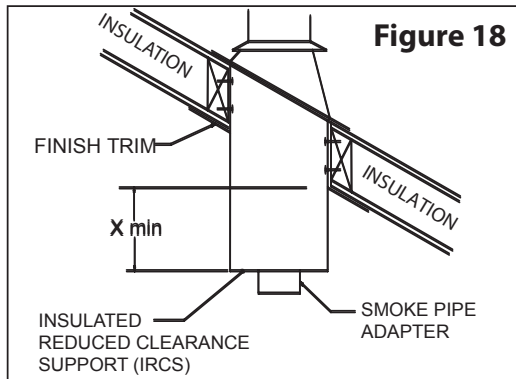
Steep pitched cathedral ceilings may require the use of a Support Extension (RCSE). This piece fits down inside the reduced clearance support and can be adjusted to increase the support's length by up to 22".



RCSE

The extension is attached to the support using the eight metal screws provided. Be sure there is at least a 2" overlap where the extension joins the support.

**NOTE:** Refer to NOTE 12 (page 6) under General Installation Notes regarding additional insulation required with this extension.



Slope	X min
0/12 - 2/12	3 1/2"
2/12 - 7/12	5 1/2"
7/12 - 12/12	6 3/4"
12/12 - 24/12	7 1/2"
24/12	12 1/2"

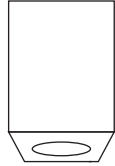
Table 6

# 4

## INTERIOR INSTALLATION WITH CATHEDRAL CEILING (CONT'D)

### SQUARE SUPPORT (SCS)

This support is similar in application and installation as the Reduced Clearance Support. Install it using the instructions on page 11 (refer to Figure 20 for visual references).

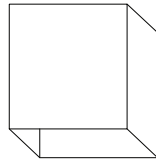


SCS

**NOTE:** Refer to Note 12 (page 6) under General Installation Notes regarding approved insulation to use with this support.

### SUPPORT EXTENSION (SCSE) (For Square Support)

Steep pitched cathedral ceilings may require the use of a Square Support extension (SCSE). This piece fits down inside the square support and can be adjusted to increase the support's length by up to 22".



SCSE

The extension is attached to the support using the eight (8) metal screws provided. Be sure there is at least a 2" overlap where the extension joins the support.

**NOTE:** Refer to Note 12 (page 6) under General Installation Notes regarding approved insulation to use with this extension.

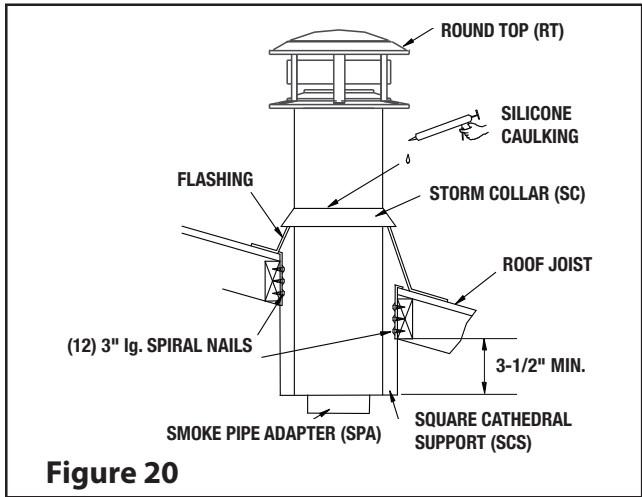


Figure 20

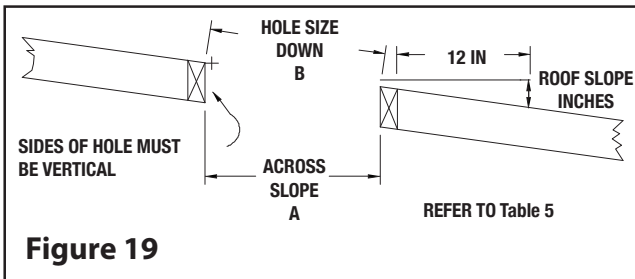


Figure 19

# 5

## DÉVIATION

### OFFSET CHIMNEY

It may be necessary to offset the chimney to clear an obstruction such as a joist or truss, or to position the chimney close to the ridge cap. A maximum of two offsets (4 elbows in all) is allowed in a chimney. The chimney must not be inclined more than 30° from vertical (USA) and 45° (Canada Only).

The minimum chimney height when using 15° offsets is 10’.

The minimum chimney height when using 30° or 45° offsets is 15’.

The maximum length of unsupported offset chimney is 6’. If the offset chimney is longer than 6’, then it must be supported at 6’ intervals using the Universal Roof Support (URS) or the Universal Wall Support (UWS). Refer to Figure 21 for visual.



### WARNING

**A support must always be installed right above each offset (two elbows) to support the chimney above the offset.**

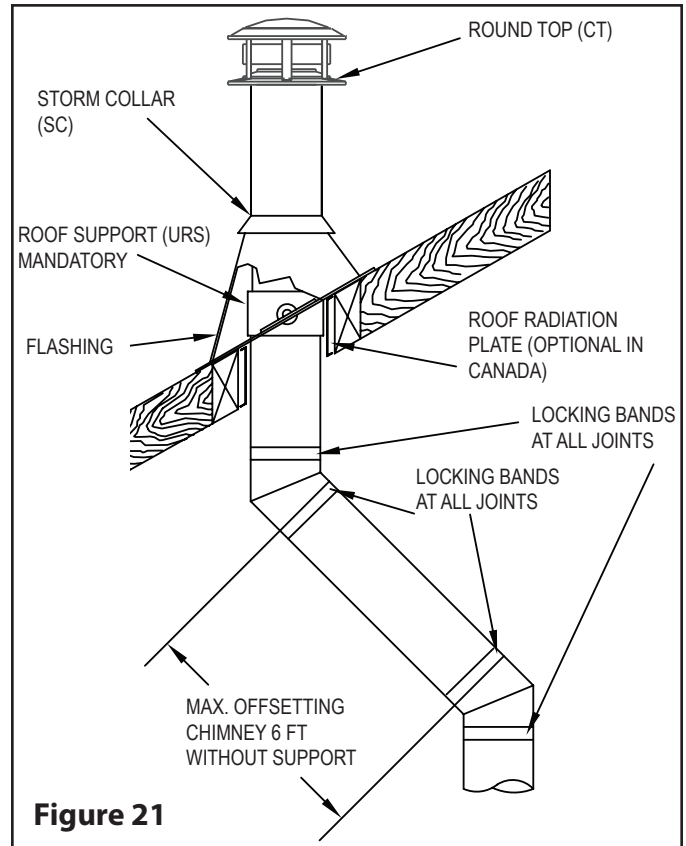
### INSTALLATION INSTRUCTIONS

Install the required support and the chimney as described in the previous pages of installation instructions. When you reach the height at which the elbow will be installed, proceed as follows:

**ATTENTION:** All joints forming an offset must be secured with a Locking Band with the latch fastened to the farthest lance (2nd lance) and secured with three (3) #8 x 3/4” stainless steel screws. NOTE: See page 6, Figure 3 and the section “ELBOWS AND TEE BRANCH”.

Step 1. Install the insulated offset elbow on the vertical chimney length. Turn it in the required direction and fasten it to the chimney with the supplied Locking Band.

Step 2. Place the required offset chimney length (see Table 7 on page 16) on the elbow. Make sure it is fully seated. Install a Locking Band.



Step 3. Use another elbow to turn the chimney vertically. Again secure the elbow to the chimney length using the supplied Locking Band.

Step 4. Install the remaining chimney as described in the instructions for the Roof Support (see page 17).

**ATTENTION:** See page 6, Figure 3 and the section “ELBOWS AND TEE BRANCH”.

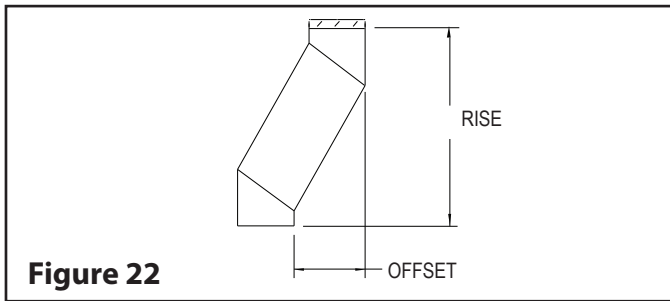
### INSTALLATION CALCULATIONS

Determine the offset required in view of the obstacles that must be avoided (see Figure 22). Refer to Table 7 to determine the elbows required as well as the insulated length needed.

If required, an adjustable length can be used to offset the exact distance required.

# 5

## OFFSET DEVIATION (CONT'D)



**Table 7**                      **OFFSET AND RISE CHARTS - MODEL ULTIMATEPLUS (6" - 8")**

**15° ANGLE**

DIA.	INCHES	ONE LENGTH BETWEEN ELBOWS							TWO LENGTHS BETWEEN ELBOWS						
		0	8	12	18	24	36	48	0	8 & 48	12 & 48	18 & 48	24 & 48	36 & 48	48 & 48
6"	Offset	1	2-5/8	3-3/4	5-1/4	6-3/4	9-7/8	13	1	14-5/8	15-3/4	17-1/4	18-7/8	21-7/8	25
	Rise	8-3/4	15	18-7/8	24-5/8	30-3/8	42	53-5/8	8-3/4	59-7/8	63-5/8	69-1/2	75-1/4	86-7/8	98-1/2
7"	Offset	1	2-5/8	3-3/4	5-1/4	6-3/4	9-7/8	13	1	14-5/8	15-3/4	17-1/4	18-7/8	21-7/8	25
	Rise	9-1/4	15-1/2	19-3/8	25-1/8	30-7/8	42-1/2	54-1/8	9-1/4	60-3/8	64-1/8	70	75-3/4	87-3/8	99
8"	Offset	1	2-5/8	3-3/4	5-1/4	6-3/4	9-7/8	13	1	14-5/8	15-3/4	17-1/4	18-7/8	21-7/8	25
	Rise	9-1/2	15-3/4	19-5/8	25-3/8	31-1/8	42-3/4	54-3/8	9-1/2	60-5/8	64-3/8	70-1/4	76	87-5/8	99-1/4

**30° ANGLE**

DIA.	INCHES	ONE LENGTH BETWEEN ELBOWS							TWO LENGTHS BETWEEN ELBOWS						
		0	8	12	18	24	36	48	0	8 & 48	12 & 48	18 & 48	24 & 48	36 & 48	48 & 48
6"	Offset	2-1/4	5-1/2	7-1/2	10-1/2	13-1/2	19-1/2	25-1/2	2-1/4	28-5/8	30-5/8	33-3/4	36-5/8	42-5/8	48-5/8
	Rise	10-1/2	16-1/8	19-1/2	24-3/4	29-7/8	40-3/8	50-3/4	10-1/2	56-1/4	59-3/4	65	70-1/8	80-1/2	90-7/8
7"	Offset	2-1/2	5-3/4	7-3/4	10-3/4	13-3/4	19-3/4	25-3/4	2-1/2	28-7/8	30-7/8	34	36-7/8	42-7/8	48-7/8
	Rise	11	16-5/8	20	25-1/4	30-3/8	40-7/8	51-1/4	11	56-3/4	60-1/4	65-1/2	70-5/8	81	91-3/8
8"	Offset	2-3/4	6	8	11	14	20	26	2-3/4	29-1/8	31-1/8	34-1/4	37-1/8	43-1/8	49-1/8
	Rise	11-1/2	17-1/8	20-1/2	25-3/4	30-7/8	41-3/8	51-3/4	11-1/2	57-1/4	60-3/4	66	71-1/8	81-1/2	91-7/8

**45° ANGLE (Canada Only)**

DIA.	INCHES	ONE LENGTH BETWEEN ELBOWS							TWO LENGTHS BETWEEN ELBOWS						
		0	8	12	18	24	36	48	0	8 & 48	12 & 48	18 & 48	24 & 48	36 & 48	48 & 48
6"	Offset	4	8-1/2	11-3/8	15-5/8	19-7/8	28-3/8	36-7/8	4	41-3/8	44-1/4	48-1/2	52-3/4	61-1/8	69-5/8
	Rise	11-3/4	16-1/4	1-1/8	23-3/8	27-5/8	36-1/8	44-5/8	11-3/4	49-1/8	52	56-1/4	60-1/2	68-7/8	77-3/8
7"	Offset	4-1/2	9	11-7/8	16-1/8	20-3/8	28-7/8	37-3/8	4-1/2	41-7/8	44-3/4	49	53-1/4	61-5/8	70-1/8
	Rise	12-3/4	17-1/4	20-1/8	24-3/8	28-5/8	37-1/8	45-5/8	12-3/4	50-1/8	53	57-1/4	61-1/2	59-7/8	78-3/8
8"	Offset	4-3/4	9-1/4	12-1/8	16-3/8	20-5/8	29-1/8	37-5/8	4-3/4	42-1/8	45	49-1/4	53-1/2	61-7/8	70-3/8
	Rise	13-3/4	18-1/4	21-1/8	25-3/8	29-5/8	38-1/8	46-5/8	13-3/4	51-1/8	54	58-1/4	62-1/2	70-7/8	79-3/8

Note: All dimensions are in inches.



## ADJUSTABLE LENGTH (AL)

If required, an Adjustable Length is installed between other components or offset to establish an exact finished length, where a standard length can not be used.

### INSTALLATION INSTRUCTIONS

Step 1. Slide the Adjustable Length over the preceding length until the desired length is achieved. The Adjustable Length must overlap by at least 3" (figure 22A).

NOTE: To slide easily, it may be necessary to remove excess insulation: remove the insulation from the length; cut the insulation to the desired length and insert back into the length. The insulation must completely fill the cavity.

Step 2. Secure the Adjustable Length to the preceding section using the three (3) metal screws supplied.

Step 3. In order to prevent overloading the Adjustable Length, install a support UWS or URS) within the next 5' (60") following the Adjustable Length (figure 22B).

Figure 22B

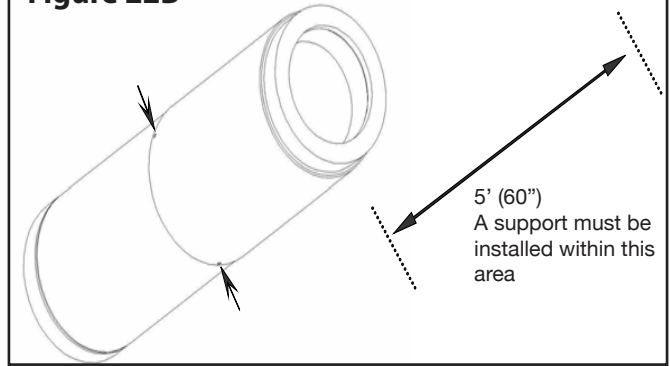
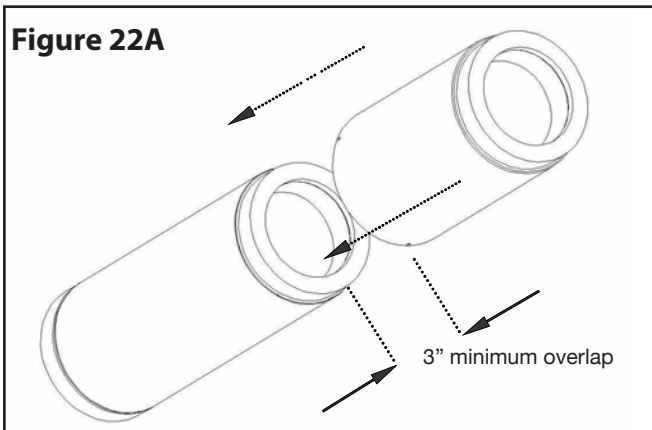


Figure 22A



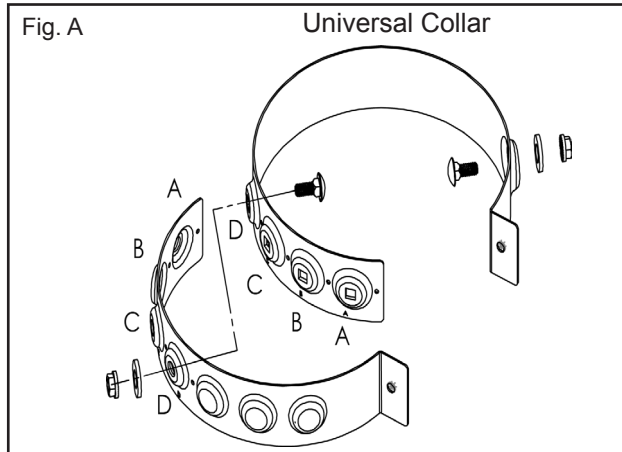
# 6

## ASSEMBLY OF THE UNIVERSAL COLLAR - URS, UWS, UWB, URBK

The following pages will assist in the assembly of the Universal Roof Support, Wall Support, Wall Band and Roof Brace Kit. All have the same Universal Collar. See Table 8 & Fig. A below for proper hole alignment for UltimatePlus 6" to 8" diameters.

**TABLE 8**

CHIMNEY MODEL	DIA	HOLE ALIGNMENT FOR UNIVERSAL COLLAR	SLIDING LEG ADJUSTMENT
UltimatePlus	6"	C-C	MAINTAIN THE MINIMUM AIR SPACE CLEARANCE OF 2" TO ALL COMBUSTIBLES
	7"	B-B	
	8"	A-A	



### Universal Collar

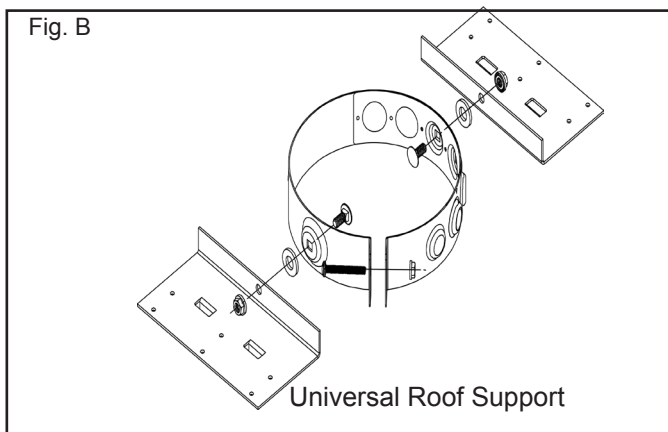
1. Assemble the two (2) portions of the Universal Collar with the hole alignment found in Table 8 above. Use the supplied carriage bolt, washer and nut as per Fig. A.
2. Join the two (2) portions with the supplied nut and bolt. Do not tighten at this time.
3. Select which component the Universal Collar will serve. Go to these instructions.

### Universal Roof Support (URS)

Refer to Table 1 on page 4 for the maximum chimney height the Roof Support will support. If greater height is required use additional Roof Support at intervals not exceeding 30 feet.

NOTE: The Universal Roof Support can also be used as an Offset Support.

1. Assemble the two (2) portions of the Universal Collar as described above under Universal Collar and Fig. A.
2. Attach the roof brackets to the Collar as per Fig. B.
3. Slip the assembled Roof Support down over the chimney length until the brackets rest on the roof or floor. Tighten the collar around the chimney.



4. Center the chimney and maintain the required 2" air space clearance to combustible materials. Secure the support to the roof or floor using (8) - 2-1/2" nails or (8) #8 - 1-1/4" wood screws.

Refer to Figures 23 & 24 on page 19 for more information.

### Universal Wall Support (UWS)

Refer to Table 1 on page 4 for the maximum chimney height the Wall Support will support. If greater height is required use additional Wall Support at intervals not exceeding 30 feet.

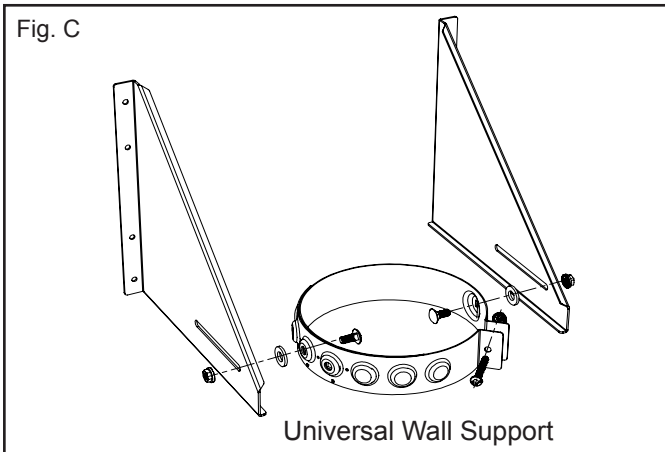
NOTE: The Wall Support can also be used as an Offset Support.

1. Assemble the two (2) portions of the Universal Collar as described above under the Universal Collar and Table 8 and Fig. A.
  2. Attach the wall brackets to the Collar as per Fig. C.
  3. Slip the support down over the first vertical chimney length to the proper location.
  4. Tighten the collar around the chimney. Attach the support brackets to the wall using (8) 3" nails or (8) #10 x 1-1/4" wood screws.
- For more information, refer to page 20 and Figure 25.

# 6

## ASSEMBLY OF THE UNIVERSAL COLLAR (CON'T)

Fig. C



Universal Wall Support

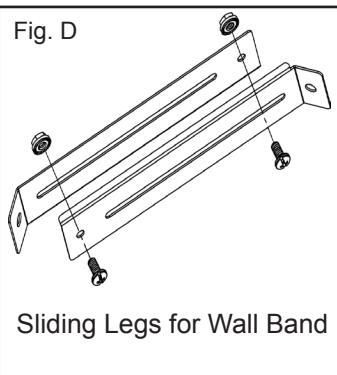
### Universal Wall Band (UWB)

1. Assemble the two (2) portions of the Universal Collar as described under the Universal Collar, Fig. A and Table 8 on page 17.
2. Assemble the 2 sliding legs together with the supplied nut and bolt (2 per legs) as per Fig. D.
3. Attach the 2 sliding legs to the Collar as per Fig. E.
4. Place the Universal Wall Band on a vertical chimney length to the selected location.
5. Secure the Universal Wall Band to the wall using two (2) #10 x 1-1/4" wood screws or appropriate fasteners.

Maintain the minimum air space clearance of 2" from the outer chimney to the wall.

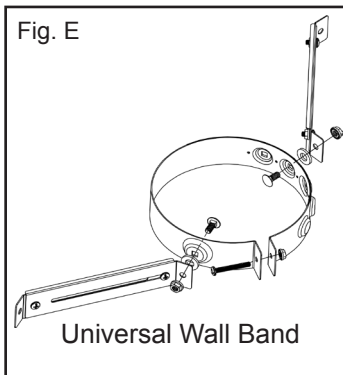
The Universal Wall Band must be used at 8' intervals and attached to a framing construction and not merely to the siding.

Fig. D



Sliding Legs for Wall Band

Fig. E



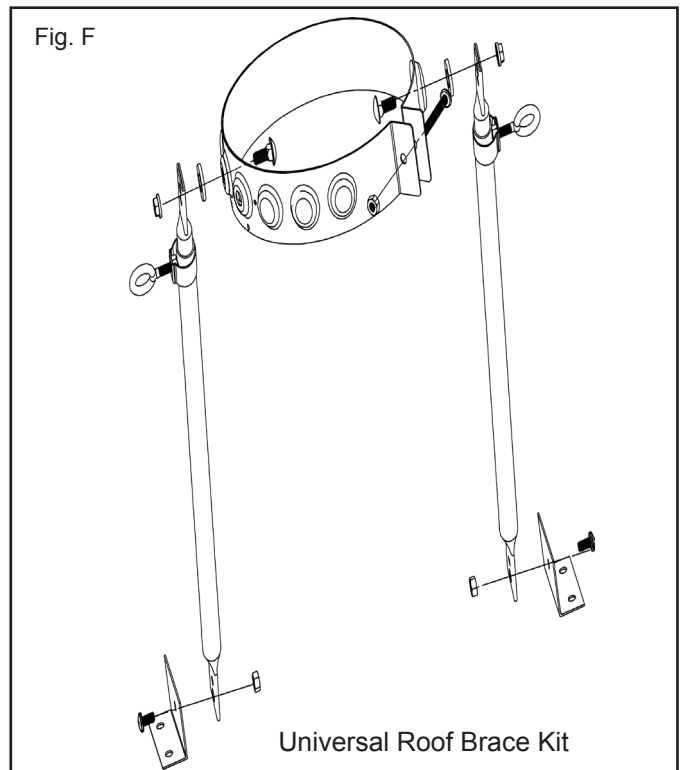
Universal Wall Band

### Universal Roof Brace Kit (URBK)

The preferred location is next to a joint, immediately above or below. Only one chimney joint should be above the collar of the Roof Brace Kit.

1. Assemble the two (2) portions of the Universal Collar as describe under the Universal Collar and Fig. A and Table 8 on page 17.
2. Secure one end of each adjustable leg to the Universal Collar as per Fig. F.
3. Attach the other end of the adjustable leg to the roof bracket as per Fig. F.
4. Position the adjustable legs so they form approximately a 60° angle with the chimney, and with each other. Make sure there is at least 3" of overlap between the top and bottom halves of the adjustable leg before securing in its final position with the eye bolt screw.
5. Determine the location of the two roof brackets on the roof structure. Ensure the fasteners are into rafters or framing and not just the roof sheathing.
6. Secure the roof brackets to the roof structure using two (2) 1/4" x 2" lag screws per brackets. Apply a thin layer of caulking under the roof brackets as well as over the lag screws.

Fig. F



Universal Roof Brace Kit

**UNIVERSAL ROOF SUPPORT (URS)**

The Universal Roof Support offers three functions:

- It may be used to support a chimney from the roof. It adjusts to any roof pitch.
- It may be used on a floor, ceiling or roof above an offset to support the chimney above the offset.
- It may be used on a floor, ceiling or roof as a supplementary support when the chimney height exceeds that of the primary support. See Maximum Support Height in Table 1 on page 4.

Never use makeshift compromises during the installation of the Universal Roof Support.

**INSTALLATION INSTRUCTIONS**

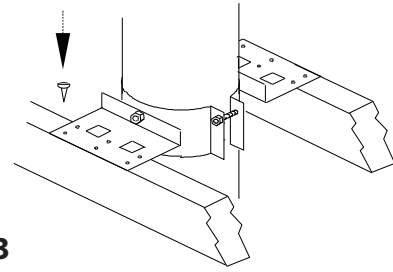
Refer to Table 1 on page 4 for the maximum chimney height the Roof Support will support. If greater height is required use additional Roof Support at intervals not exceeding 30 feet.

NOTE: The Universal Roof Support can also be used as an Offset Support.

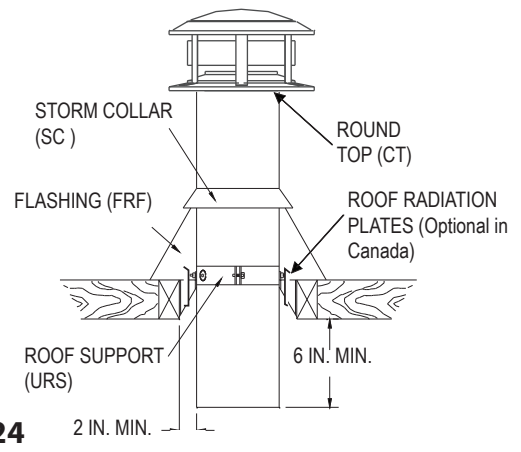
Refer to Table 8, Figures A & B on page 17 for more information.

With the chimney extending through the opening in the roof, ceiling or floor proceed as follows (Refer to Figures 23 & 24 for visual references):

- Step 1. **(OPTIONAL IN CANADA)** Install the roof radiation shields in the roof joists. These shields consist of four metal plates. Nail these plates to each side of the joist using (2) - 2 1/2" nails. See Figure 19.
- Step 2. Assemble the Roof Support's Collar to fit your chimney diameter. Continue to assemble the support as described on page 17.
- Step 3. Slip the assembled Roof Support down over the stainless steel chimney until its brackets rest on the roof or floor. Tighten the collar around the chimney.
- Step 4. Center the chimney and nail or screw the support to the roof or floor using (8) - 2-1/2" nails or (8) #8 - 1-1/4" wood screws (see Figure 23).



**Figure 23**



**Figure 24**

Step 5. Install the remaining chimney lengths, until the required chimney height is reached.

See Figures A & B on page 17 for more information.

**Step 6. ROOF FLASHING INSTALLATION**

Put the roof flashing in place. Seal the joint between the roof and the flashing with roofing compound.

For sloping roofs, place the flashing under the upper shingles and on top of the lower shingles. Nail the flashing to the roof using nails. Place the storm collar around the chimney and slide down on top of the flashing. Tighten it with the bolt supplied making sure the joint is properly caulked (see Figure 15).

**ATTENTION!** Do not block the space between the flashing and the chimney. It is required to be fully open for the purpose of ventilation.

Step 7. Refer to page 7 for the Round Top installation.

# 7

## EXTERIOR INSTALLATION (CONT'D)

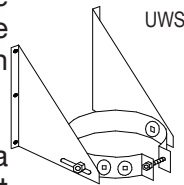
This chimney will provide optimum performance when installed within the heated space of a building. The consequences of installing the chimney outdoors, up the exterior wall of a building could result in:

- Back-drafting during cold weather when the connected appliance is not operating
- Weak, unstable draft
- Increased creosote accumulation
- Increased potential for condensation of water vapor in the chimney flue
- Decreased efficiency of the connected appliance

If you do install an exterior chimney, we recommend that you enclose it using an insulated enclosure (see Figure 25 for visual).

### INSTALLATION NOTES

1. The chimney may be enclosed or unenclosed.
2. Maintain 2" clearance to combustible materials. Do not fill the 2" space around the chimney with insulation or any other material.
3. A Universal Wall Band (UWB) or a Universal Wall Support (UWS) must be used to secure the chimney to the wall when used on an exterior wall. Maximum distance between wall bands is 8'.
4. The horizontal chimney length passing through the wall must project a minimum of 5" and no more than 24" beyond the inside wall. Minimum projection is required to ensure appropriate clearances are maintained to stovepipe.
5. If an exterior installation is to be enclosed, allow for access to base of tee to facilitate required inspection and cleaning.
6. The minimum distance between the bottom of the Tee or Support and any horizontal combustible is 2" by using an Insulated Tee Cap (ITC).



### UNIVERSAL WALL SUPPORT / RE-SUPPORT (UWS)

When a chimney is used along a wall, the UWS support may be used to support the chimney. The height of the supported chimney with a UWS is shown in Table 1 on page 4.

If greater height is required use an additional Wall Support at intervals not exceeding 30 feet. NOTE: The UWS can also be used as an Offset Support.

### INSTALLATION INSTRUCTIONS

- Step 1. Refer to Table 8, Figures A and C on pages 17 and 18 for more information. Refer to Figure 25 as visual reference.
  - Step 2. Slip the support down over the chimney to the proper location. Tighten the collar around the chimney.
  - Step 3. Attach the support brackets to the wall using (8) 3" nails or (8) N°. 10 x 1-1/4" wood screws.
  - Step 4. At 8' intervals, secure the chimney to the wall by using a Universal Wall Band (UWB) or Universal Wall Support (UWS).
- NOTE:** Be sure that the support attaches to a solid structure and not merely to the siding.
- Step 5. If the chimney passes through the roof, cut a hole large enough to provide 2" clearance between the chimney and the roof. For pitch roof, see Roof Opening Chart - Table 2 page 4.

To continue, see Steps 6 through 10 on page 9.

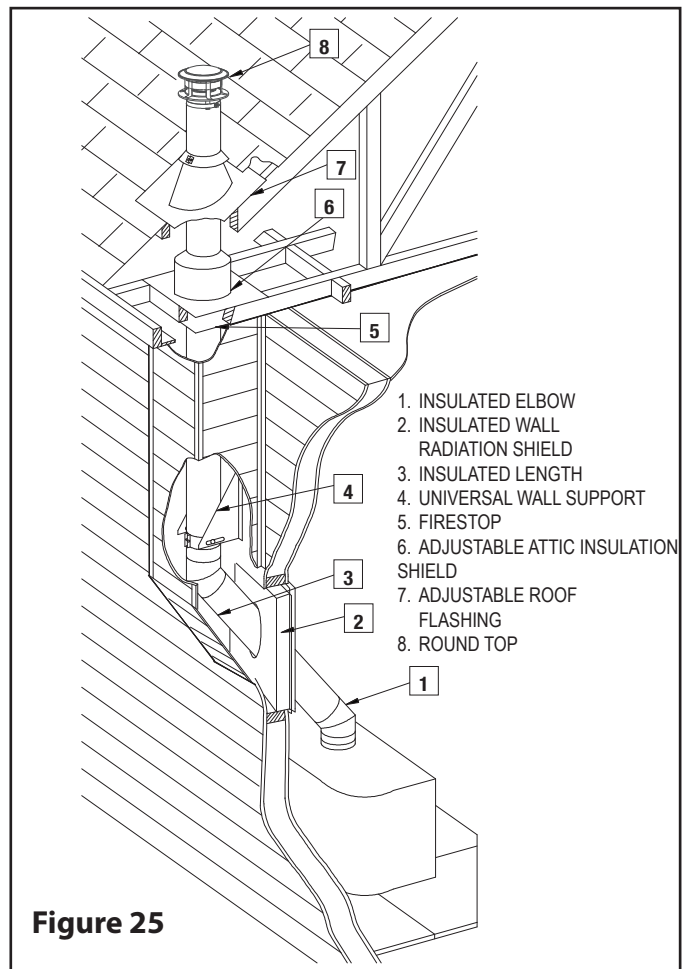


Figure 25

# 7

## EXTERIOR INSTALLATION (CONT'D)

### WALL SUPPORT (UWS, AIWS, BTWS)

#### INSTALLATION INSTRUCTIONS

Step 1. Determine where the chimney will pass through the wall.

- For concrete walls cut an opening slightly larger than the chimney.
- For combustible walls cut and frame a hole 4" larger than the chimney, midway between the wall studs (see Table 9 below for sizing).

Normally wall studs are placed at 16" on center. With the hole midway between them, the support will fasten to these studs and thus ensure a strong attachment to the wall (see Figure 27).

Step 2. Wood walls: Place the exterior half of the Insulated Wall Thimble (IWT) in the opening from the outside. Nail in place using (4) 2" nails or 1" screws. This Wall Thimble is adjustable from 7" to 12" (see Figure 28). Make sure the insulation pad is cut to the desired length according to the wall thickness. Place the interior half of the Wall Thimble inside the exterior half of the Wall Thimble. For a wall requiring more than 12", a shield extension can be field fabricated using galvanized sheet metal 26 gauge minimum.

Ensure the opening for the chimney to pass through is straight and level. Screw the outer thimble in place with the provided screws (see Figure 29).

**NOTE:** The cavity surrounding the wall thimble metal shield can be filled with insulation (see Figure 29).

CHIMNEY SIZE	OPENING SIZE	
	COMBUSTIBLE	CONCRETE
6"	12" x 12"	8-3/4"
7"	13-3/8" x 13-3/8"	9-3/4"
8"	14-3/8" x 14-3/8"	10-3/4"

Table 9

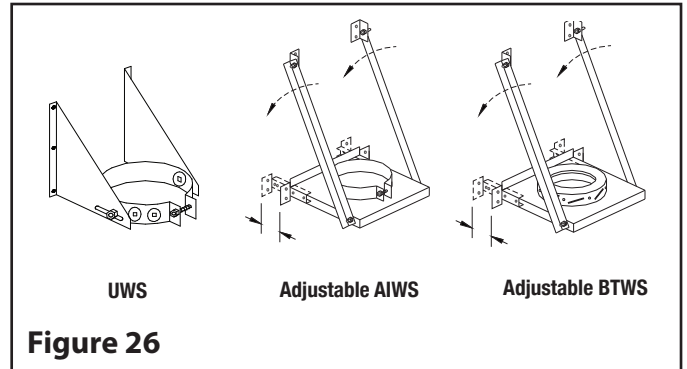


Figure 26

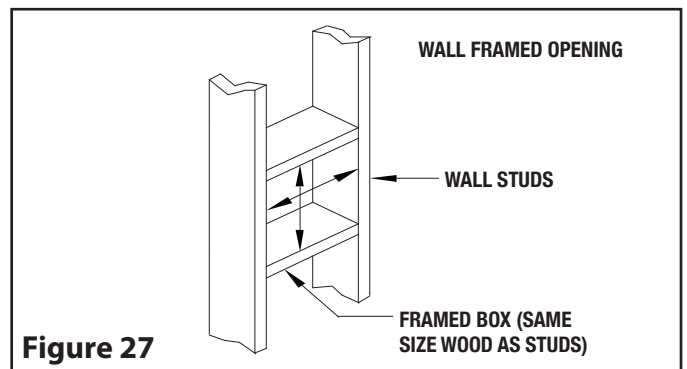


Figure 27

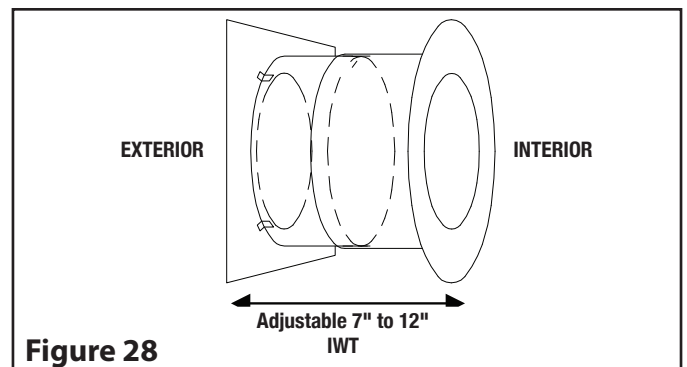


Figure 28

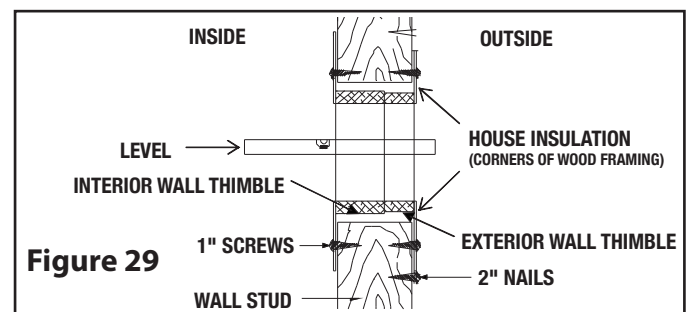


Figure 29

# 7

## EXTERIOR INSTALLATION (CONT'D)

Step 3. The minimum length of insulated chimney required to pass through the wall will be thickness plus 7". The insulated chimney must extend at least 5" into the room beyond the finished wall. Insert this chimney length in the side branch of the insulated tee until fully seated. Install the Locking Band as per instructions on page 6 and Figure 3 for securing the joint at the Tee Branch. Make sure the securing latch is facing down to prevent any water from collecting in the Locking Band. It is recommended to use a silicone sealant on the head of the top screw. Mount the insulated tee on the support so that the chimney length which will go through the wall is perpendicular to the side of the support that will fasten to the wall. Secure the tee to the base of the support using four (4) - #8 x 3/4" A/AB screws (supplied).

**NOTE:** If a joint is to be located within the Wall Thimble, you will need to substitute the Locking Band with 4 sheet metal screws instead (refer to Figure 4 on page 6).

**NOTE:** The supports (UWS or AIWS) can be installed above the Tee. See Figure 32.

Step 4. This step will require 2 people: (see Figure 30). Insert the chimney length of this tee-support assembly into the hole in the wall. Using a level, ensure the tee is vertical, then attach the support to the wall using (8) N°. 10 x 1 - 1/4" wood screws or 4" spiral nails.

**NOTE:** To provide sufficient strength, the nails must be driven into the wall studs. For concrete walls, the support should be attached using (8) 1/4" x 2" lag bolts.

Step 5. Attach the clean-out cap to the Tee Support or Tee.

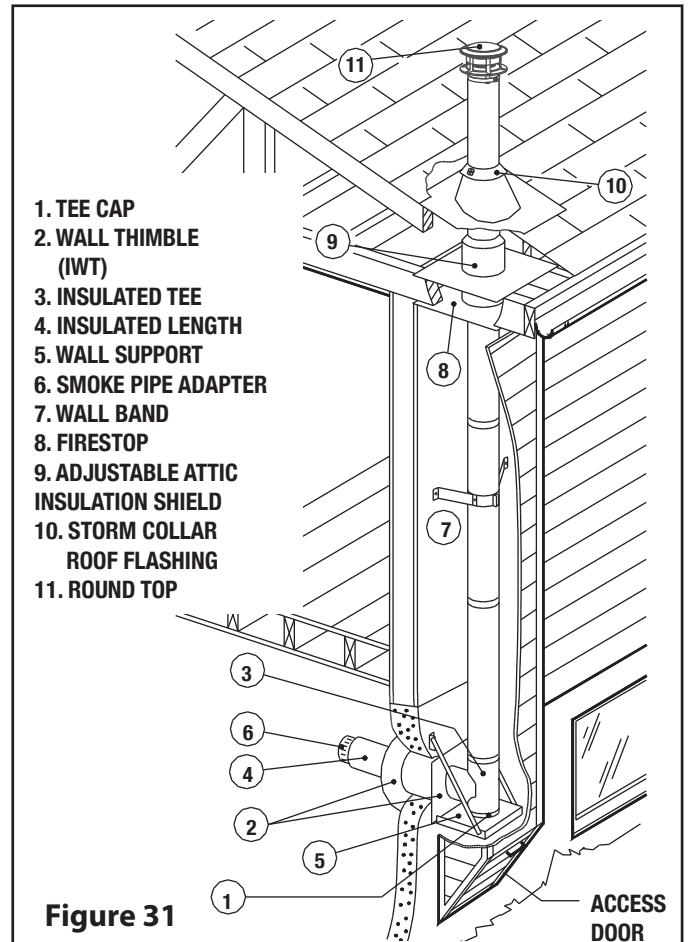
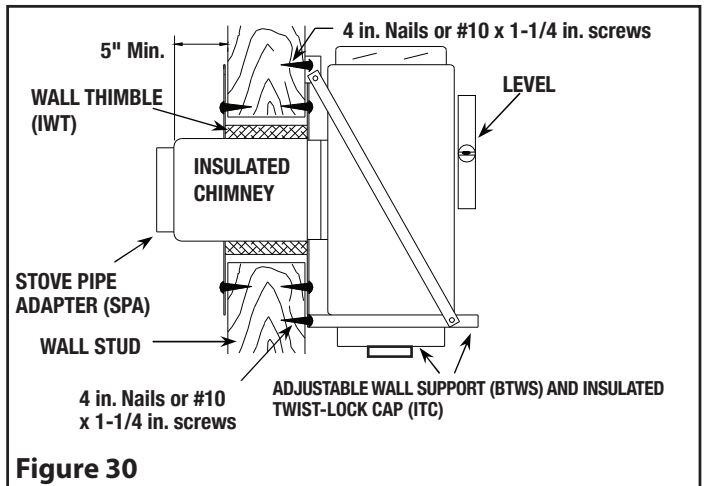
Step 6. Attach the Smoke Pipe Adapter to the horizontal chimney length. See page 7 under Smoke Pipe Adapter for more information.

Step 7. Stack a chimney length on top of the Tee until fully seated. Install a Locking Band to secure the joint (see pages 5 & 6). Continue until the required chimney height is reached.

**NOTE:** At 8' intervals, secure the chimney to the wall using a Universal Wall Band or the Universal Wall Support.

Step 8. If the chimney passes through the roof, cut a hole large enough to provide 2" clearance between the chimney and the roof. For pitch roof, see Table 2 on page 4.

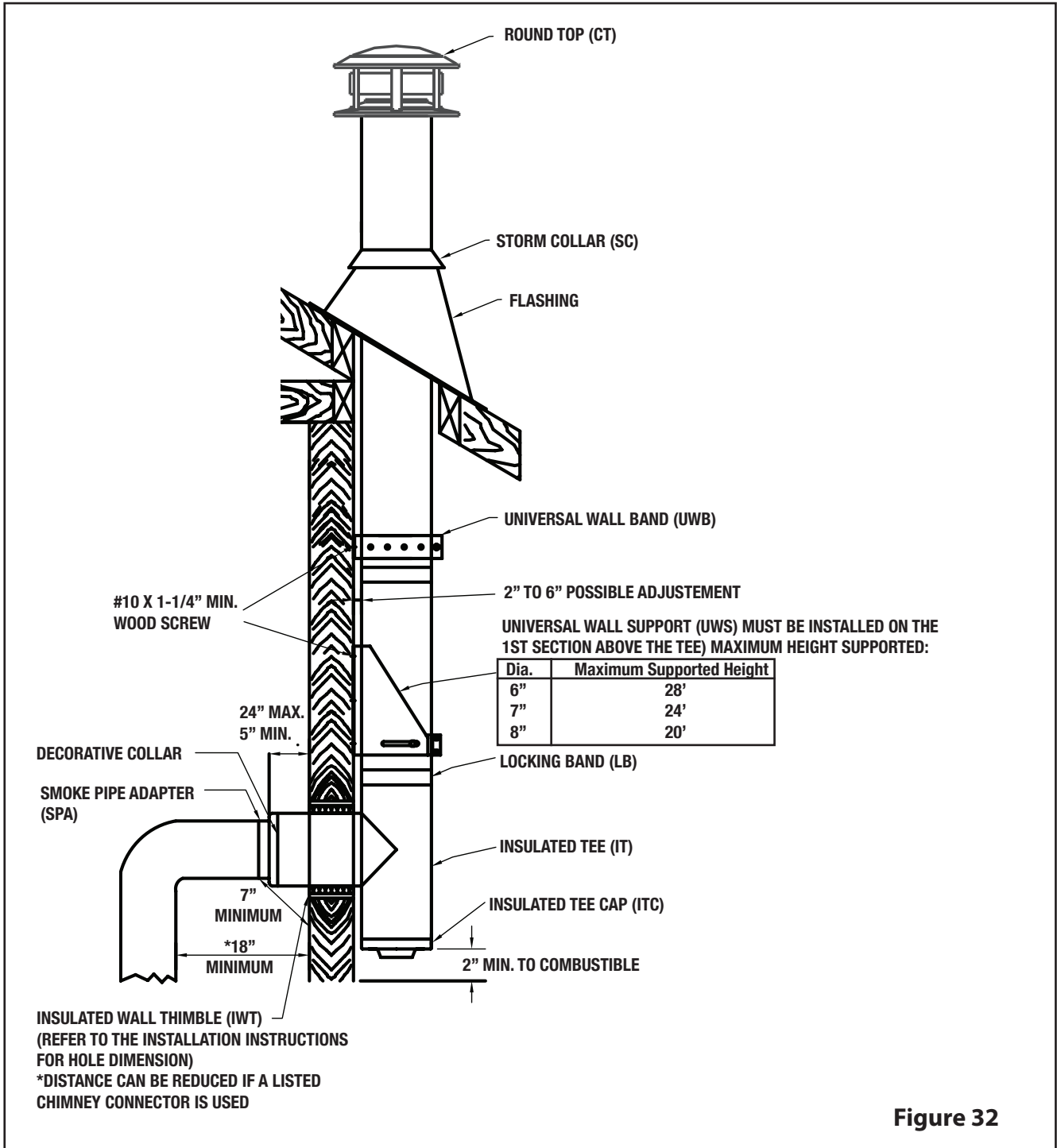
To continue, follow Steps 7 through 10, on page 11.



**NOTE: DIAGRAMS & ILLUSTRATIONS ARE NOT TO SCALE.**

# 7

## EXTERIOR INSTALLATION (CONT'D)



NOTE: An optional black Decorator Sleeve is available to cover the stainless steel chimney length extending through a wall into the room. Can be used with a non combustilbe wall or in conjunction with the Wall Thimble by simply sliding the Decorator Sleeve over the length. An optional Trim Collar is also available.



# 8

## INTERIOR INSTALLATION ON A FURNACE, BOILER, OR WATER HEATER

Step 1. Locate the chimney in a convenient place as near as possible to the appliance outlet. Cut and frame the opening in the ceiling where the chimney will pass.

**NOTE:** It is important to follow the framing dimensions for the floor openings prescribed in this manual.

**Refer to Table 1 for proper framing dimensions.**

Step 2. From below push the support into the framed hole. Nail the support to the framed box using (12) 3" spiral nails or #8 x 1 1/2" wood screws (see Figure 33).

Step 3. Before installing the first length into the support, install the Smoke Pipe Adapter (see page 7). Lower length into the support, making sure the Smoke Pipe Adapter protrudes through the opening of the support.

**NOTE:** Arrow on pipe label must be pointing up.

Step 4. From below, install a Firestop (FS or FRS10) in each floor through which the chimney passes (see Figure 34).

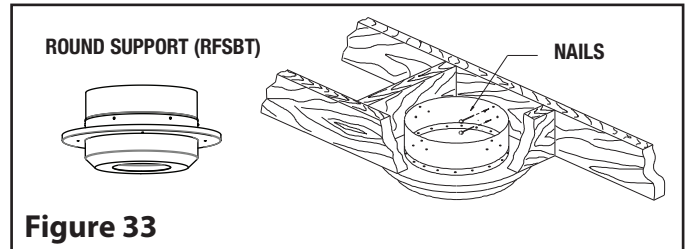
Step 5. Stack the next chimney length on the first length. Make sure it is fully seated. Install a Locking Band to secure the joint (see pages 5 & 6). Continue until the required chimney height is reached.

Step 6. At the attic level, install a Firestop (FS), from below add an Adjustable Attic Insulation Shield (AAIS) from above (see Figure 35).

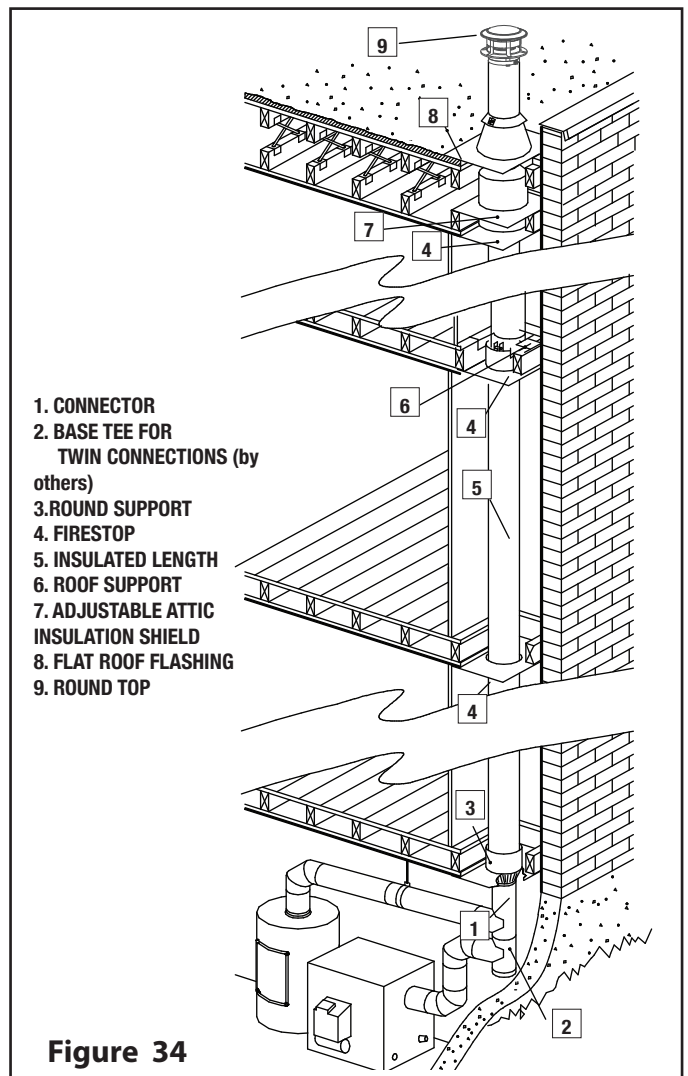
Step 7. **(OPTIONAL IN CANADA)** Install the roof radiation shields in the roof joists. These shields consist of four metal plates. Nail one plate to each side of the joist using (2) 2-1/2" nails.

Step 8. Put the roof flashing in place. Seal the joint between the roof and the flashing with roofing compound.

For sloping roofs, place the flashing under the upper shingles and on top of the lower shingles. Nail the flashing to the roof using roofing nails.



**Figure 33**



**Figure 34**

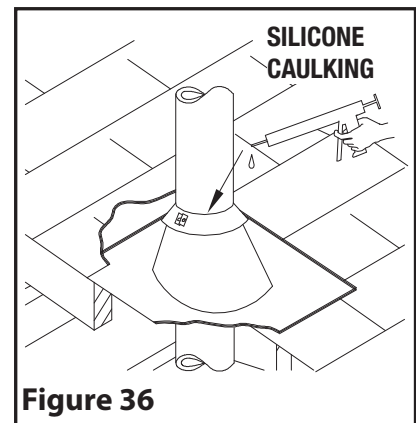
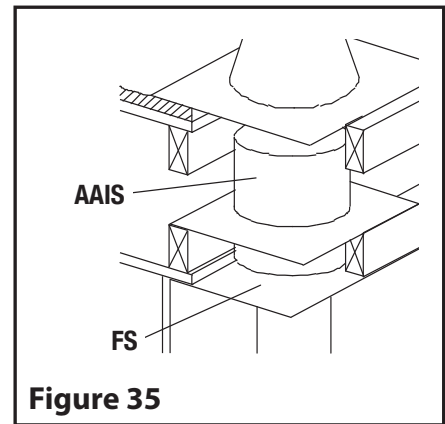
# 8

## INTERIOR INSTALLATION ON A FURNACE, BOILER, OR WATER HEATER (CONT'D)

Step 9. Place the storm collar over the chimney and the flashing. Tighten it with the bolt supplied making sure the joint is properly caulked (see Figure 36).

Step 10: Attach the Round Top (CT) to the chimney. See page 7.

**ATTENTION!** Do not block the space between the flashing and the chimney. It is required to be fully open for the purpose of ventilation.

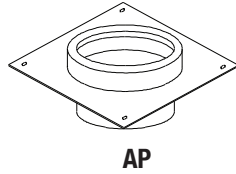


# 9

## SPECIALIZED COMPONENTS

### ANCHOR PLATE (AP)

The Anchor Plate (AP) is used on a factory-built fireplace, on a masonry fireplace or on top of a furnace to provide a positive connection to the chimney. It is not to be used in contact with any combustible material, such as on a wood floor.



For factory-built fireplaces, follow the installation instructions supplied with the certified factory-built fireplace for any specification regarding the chimney.

Once the appliance is installed, bolt the Anchor Plate (AP) to the appliance using appropriate fasteners. See Figure 37. Secure the first section of chimney to the AP using the 4 supplied sheet metal screws.

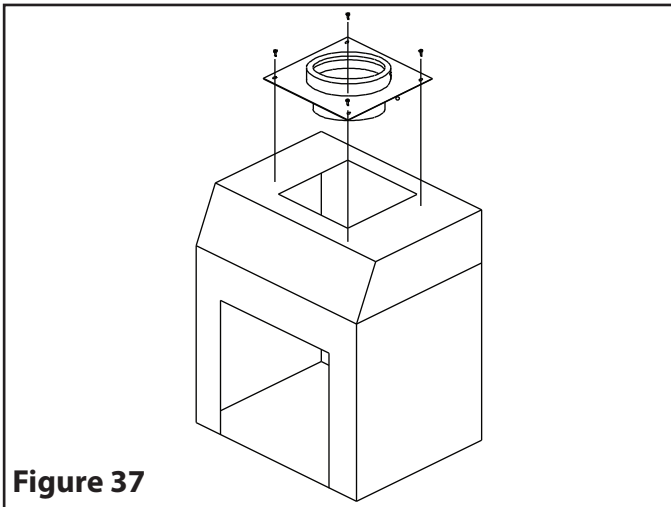


Figure 37

### FLOOR SUPPORT PLATE (FSP)

The Floor Support Plate (FSP) may be required as a secondary support if the chimney exceed the primary support. Refer to Table 1 on page 4 for support capacity and framing dimension.

Install Floor Support Plate on top of the prepared surface and secure with appropriate fasteners. Position collar around the pipe so that the final position is on the plate. Tighten nut and bolt and secure with the supplied screws.

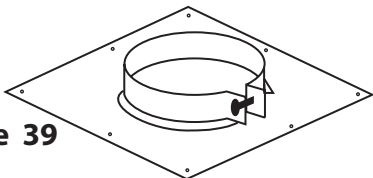


Figure 39

### INSULATED WALL SHIELD 30° or 45° (Canada Only)

These are used only with wood-burning fireplaces which have been certified for use with UltimatePlus chimney system.

**ANGLED INSULATED RADIATION SHIELD (WRIS30/WRIS45)** have been designed for use when UltimatePlus is connected to a certified factory-built fireplace which passes through a wall at an angle (see Figure 38 and Table 10).

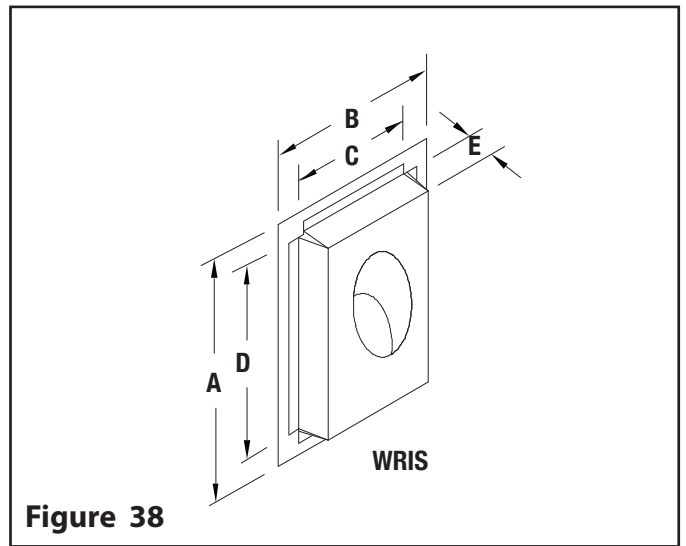


Figure 38

	SIZE					
	WRIS30			WRIS45 (CANADA ONLY)		
	6"	7"	8"	6"	7"	8"
A	34-3/4	37-3/4	39-3/4	24-5/8	26-5/8	28
B	15-5/8	16-5/8	17-5/8	15-5/8	16-5/8	17-5/8
C	11-3/8	12-5/8	13-3/8	11-1/8	12-1/8	13-1/2
D	30-3/4	33-3/4	35-3/4	20-3/8	22-1/8	23-1/2
E	3	3	3	3	3	3

Table 10 - Refer to Figure 38

# 9

## SPECIALIZED COMPONENTS (CONTINUED)

### INSULATED PASS-THROUGH RADIATION SHIELD (IPTS)

The Insulated Pass-Through Radiation Shield is used when the insulated chimney passes up through a ceiling opening from below an attic space. Suited for flat, vaulted, cathedral ceiling or multi story applications.

- Extension adjust from 24 to 46 inches
- Opening at bottom of box acts as a firestop
- 12 inch insulation pad
- Square to round collar serves as an Attic Insulation Shield where required.

**IMPORTANT:** The 2" space surrounding the chimney must be filled only with the insulation provided. Using other insulation or materials could cause adjacent combustibles to overheat.

### INSTALLATION INSTRUCTIONS

Step 1. Cut and frame the opening in the ceiling as per the dimensions in Table 11 and Figure 42.

Step 2. Determine the length of radiation shield required.

Step 3. Before installing, fix the extension to the shield, using the eight metal screws provided. Be sure there is at minimum overlap of 2" at the extension joint.

Step 4. Secure the Radiation Shield assembly to the ceiling using (12) x #8 x 1-1/2" wood screws or nails (not provided). If the Radiation Shield extends above the angled roof, cut flush with the top of the roof, or slit the corners of the box, folding each side down over the roof.

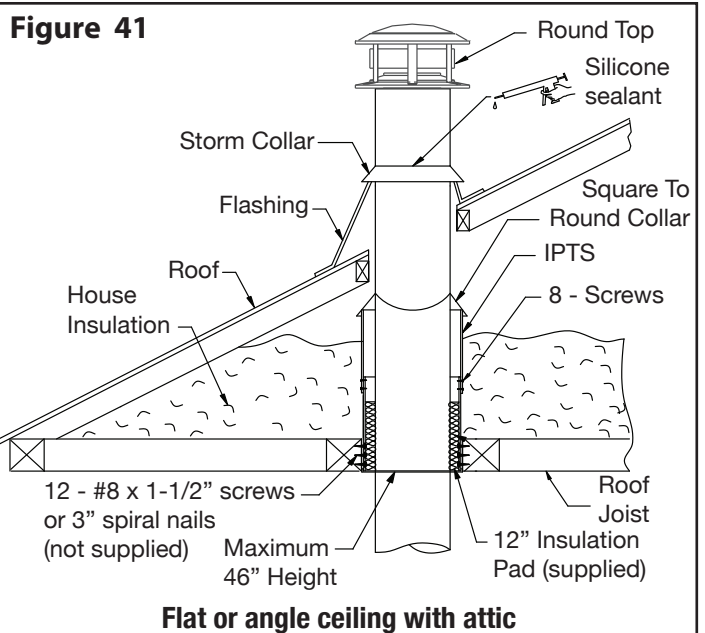
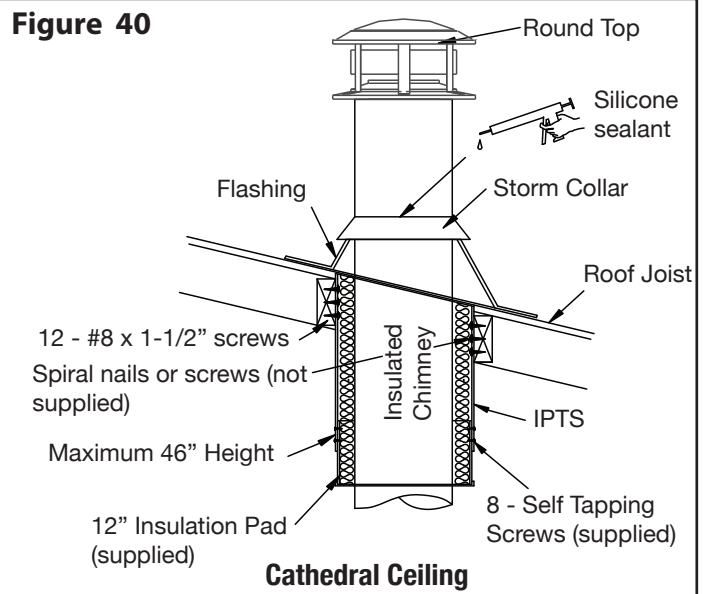
Step 5. Slide the insulated chimney through the shield until it reaches the length below. Make sure the joint is fully seated and install a Locking Band. Note: Locking Band will not fit through the opening at the bottom of the box. See page 7 for alternate joint securing method.

Step 6. Roll the 12" insulation pad around the chimney and push it (without compressing it) to the bottom of the Radiation Shield.

Step 7. If the Radiation Shield ends within the attic, install the square-to-round collar over the top of the Radiation Shield box as shown. This will prevent loose household insulation or other debris from falling within the shield.

Step 8. The vapor barrier can be attached to the radiation shield's perimeter using approved tape or sealant providing the minimum 2" air space clearance around the outside of the chimney is maintained.

Step 9. If desired, the gap between the outer layer of the chimney and the opening within the bottom of the shield can be sealed using high temperature rated (600°F) silicone caulking.



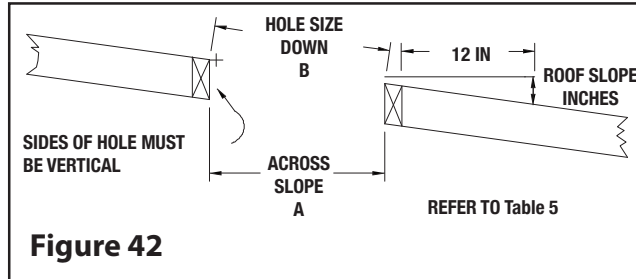


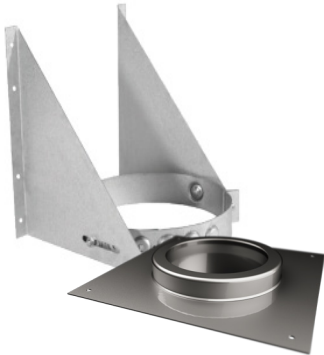
Figure 42

OPENING DIMENSION CHART						
Chimney Size	6"		7"		8"	
Roof Slope (X/12)	Hole Size					
	A	B	A	B	A	B
0	12 1/8	12 1/8	13 1/8	13 1/8	14 1/8	14 1/8
2/12	12 1/8	12 1/4	13 1/8	13 1/4	14 1/8	14 3/8
4/12	12 1/8	12 3/4	13 1/8	13 7/8	14 1/8	14 7/8
6/12	12 1/8	13 1/2	13 1/8	14 5/8	14 1/8	15 3/4
8/12	12 1/8	14 5/8	13 1/8	15 3/4	14 1/8	17
10/12	12 1/8	15 3/4	13 1/8	17 1/8	14 1/8	18 3/8
12/12	12 1/8	17 1/8	13 1/8	18 1/2	14 1/8	20

Table 11

# 10

## REPLACEMENT PARTS



### LENGTHS & ELBOWS

L8	8" LENGTH
L12	12" LENGTH
L18	18" LENGTH
L24	24" LENGTH
L36	36" LENGTH
L48	48" LENGTH
AL12	12" ADJUSTABLE LENGTH
EL15	15 DEGREE ELBOW
EL30	30 DEGREE ELBOW
EL45	45 DEGREE ELBOW (CANADA ONLY)

### SUPPORTS

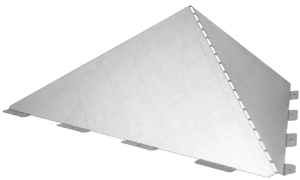
UWS	UNIVERSAL WALL SUPPORT
RS	ROOF SUPPORT
AP	ANCHOR PLATE
FSP	FLOOR SUPPORT PLATE

### BRACES & FIRESTOPS

FS	FIRESTOP
AFS30	ANGLED FIRESTOP - 30 DEGREE
AFS45	ANGLED FIRESTOP - 45 DEGREE
FRS	FIRESTOP RADIATION SHIELD
AAIS	ADJUSTABLE ATTIC INSULATED SHIELD
WRIS30	30° INSULATED WALL SHIELD
ITPS	INSULATED PASS-THROUGH SHIELD

# 10

## REPLACEMENT PARTS CON'T



WRIS45	45° INSULATED WALL SHIELD (CANADA ONLY)
RBK	UNIVERSAL ROOF BRACE KIT
UWB	UNIVERSAL WALL BAND
GWB	GUY WIRE BAND (WIRE NOT INCLUDED)
<b>VENTED FLASHING (STORM COLLAR INCLUDED)</b>	
FRFR	FLAT ROOF FLASHING
ARF7R	ADJUSTABLE ROOF FLASHING 1/12 -7/12
ARF12R	ADJUSTABLE ROOF FLASHING 8/12 -12/12
ARF21R	ADJUSTABLE ROOF FLASHING 12/12 -21/12
SC	STORM COLLAR
USSA	UNIVERSAL SNOW SPLITTER
<b>OTHERS</b>	
CT	ROUND TOP
USA	UNIVERSAL SPARK ARRESTER

To order a replacement part, reach out to your nearest dealer, distributor,  
or email us at:

[cscanada@selkirkcorp.com](mailto:cscanada@selkirkcorp.com) (Canada)

[info@selkirkcorp.com](mailto:info@selkirkcorp.com) (USA)

[info@americanmetalproducts.com](mailto:info@americanmetalproducts.com)



**“DVG GLOBAL” LIMITED LIFETIME WARRANTY**

Duravent Group (“Duravent”, “Hart & Cooley”, “Amerivent”, “Security”, “Selkirk”, “we”, “us”, “our”) warrants our Global Residential Chimney & Venting products (\* defined below) (“Products”) to be free from defects in material and workmanship at the time of manufacture. This warranty is only applicable to Products purchased through a listed/approved DGV brand customer. For Products installed after January 1, 2024, we will provide replacement product with a similar or like quality of available Duravent Global Product, **free of charge** (excluding any installation costs) for a period of ten (10) years from original installation. From the tenth (10th) anniversary of original installation through the fifteenth (15th) anniversary of original installation, we will provide replacement product at a cost of 75% off the published Retail Price in effect on the date we receive the claim (excluding any installation costs). At expiration of the fifteen (15) year period, we will provide replacement Product at a cost of 50% off the published Retail Price in effect on the date we receive the claim (excluding any installation costs). This warranty coverage is transferable from the original owner to the subsequent owners but only applies to products that remain at the site of original installation. The warranty period shall commence on the earlier of 24 months following the date of product shipment or the date of original installation.

**PROFESSIONAL INSTALLATION:**

If installation is performed by Professional Installers certified in Canada by WETT or I'APC or in the USA by NFI or CSIA, we will provide replacement product with a similar or like quality of available product, free of charge (excluding any installation costs) for the full Fifteen (15) year warranty period. To be eligible for this additional level of warranty coverage, the owner must provide a proof of installation by a Professional Installer when submitting a claim.

**LIMITATIONS:**

Buyer’s remedies are limited to repair or replacement of the Product and do not include installation costs. Except as set forth herein, all other warranties (express or implied, including the warranties of merchantability and fitness for a particular purpose) are hereby disclaimed. It is agreed that repair or replacement shall be the sole and exclusive remedy of the buyer. In no event shall we be liable for any consequential, special, or punitive damages arising directly or indirectly from the Products whether based on warranty, contract, negligence or strict liability. This warranty provides no cash surrender value. The terms and conditions of this warranty may not be modified, altered or waived by any action, inaction, or representation, whether oral or in writing, except upon the express, written authority of an executive officer of Duravent Group (DVG).

All lengths, tees, elbows, and components supplied by us are subject to warranty coverage. Product supplied by us as replacement for original material will be subject to a one-year warranty coverage when properly installed pursuant to the manufacturer’s installation instructions and appropriate codes.

**WARNING:** Failure to install or operate Products according to the manufacturer’s instructions, or failure to use Products with residential appliances that have been certified at an accredited laboratory will void all applicable warranties.

**THIS WARRANTY DOES NOT COVER:**

- (a) any non-stainless base tee unit mounted or connected to an Insulated Chimney system;
- (b) costs (labor or otherwise\*\*) associated with either removing a previously installed Product, installing a replacement product, transportation or return of a Product, or transportation of replacement product;
- (c) damage to the finish of Products caused by the use of improper solvents/chemicals or improper (or lack of) cleaning methods;
- (d) damage resulting from normal wear and tear, smoke damage, or damage caused by chimney fires, corrosion from salt air or failure to reasonably clean, care for or maintain Products in accordance with our installation instructions/recommendations;
- (e) damage (to Products, appliances or structure) based on or resulting from improper installation or repair, misuse or abuse (including, but not limited to, excessive or improper operating condition), or alteration or adjustment other than in conformity with our installation instructions and specifications, whether performed by a contractor, service company, technician, or owner;
- (f) any Products that have been moved from their original installation site;
- (g) damage caused by burning driftwood, garbage, or any other prohibitive material that has been burned in the appliance served by the chimney;
- (h) damage that results from accidents such as riot, fire, flood, high winds, “acts of God”, or any other contingency beyond our control.

\*\*Due to the wide variance in installation practices and other conditions beyond our control, except as stated above, we do not guaranty or in any way warrant the installation of Chimney and Venting products.

**CLAIM PROCEDURE:** If you believe that a Product is defective, notify the applicable individual company by email or in writing at the address below:

 **AMERIVENT.**  
by duravent  
**HART & COOLEY LLC**  
 4460 44th Street S.E., Suite F  
 Grand Rapids, MI 49512  
 ATTN: WARRANTY CLAIMS  
 1.800.423.4270  
 info@americanmetalproducts.com

 **DURAVENT**  
 877 Cotting Ct.,  
 Vacaville, CA 95688  
 ATTN: WARRANTY CLAIMS  
 1.800.835.4429  
 www.duravent.com

 **HART & COOLEY**  
by duravent  
**HART & COOLEY LLC**  
 4460 44th Street S.E., Suite F  
 Grand Rapids, MI 49512  
 ATTN: WARRANTY CLAIMS  
 1.800.433.6341  
 info@hartcool.com

 **SECURITY CHIMNEY**  
by duravent  
 2125 Monterey Street  
 Laval QC H7L 3T6  
 ATTN: WARRANTY CLAIMS  
 1.800.361.4909 (US)  
 1.800.667.3387 (CAN)  
 info@chemineesecureite.com

 **SELKIRK.**  
by duravent  
**SELKIRK CORPORATION**  
 4460 44th Street S.E., Suite F  
 Grand Rapids, MI 49512  
 ATTN: WARRANTY CLAIMS  
 1.800.433.6341  
 info@selkirkcorp.com

 **SELKIRK CANADA INC.**  
by duravent  
 P.O. Box 526, Depot 1,  
 Hamilton, Ontario, CANADA, L8L 7X6  
 ATTN: WARRANTY CLAIMS  
 1.888.735.5475  
 cscanada@selkirkcorp.com

Notification of a claim under this limited warranty should include the following: a description of the Product including the model and serial number (if applicable), a copy of the original proof of purchase (including the date of purchase), proof of installation by a professional Installer (if applicable), images showing the Product as installed, and a description of the alleged product defect. We reserve the right to inspect or investigate any warranty claims prior to determining whether to provide replacement product. If, as determined by us in our sole discretion, the repair or replacement of the Product is not commercially practicable or cannot be completed in a timely manner, we may refund the prorated purchase price paid for the Product upon verification by providing a copy of your invoice or receipt of bill of sale.

\*Products covered under the DVG Global Limited Lifetime Warranty: USP, UP, DIKAPT, RUBBERBOOT FLASHING

3016588-01/17/2024



**INSTALLATION INFORMATION**

Leave with homeowner. Homeowner: Keep in a safe place for future reference.

CHIMNEY MODEL: **ULTIMATEPLUS 6-8**

FLUE SIZE: \_\_\_\_\_

TOTAL HEIGHT: \_\_\_\_\_

FUEL: \_\_\_\_\_

INSIDE INSTALLATION  OUTSIDE INSTALLATION 

CONNECTED TO (Type of appliance)

 WOOD BURNING APPLIANCE BOILER FURNACE LISTED FACTORY-BUILT FIREPLACE OTHERS (Specify) \_\_\_\_\_

LOCATION OF APPLIANCE

 BASEMENT MAIN FLOOR OTHER (Specify) \_\_\_\_\_

INSTALLATION DATE: \_\_\_\_\_

INSTALLATION ADDRESS: \_\_\_\_\_

**DEALER INFORMATION**

DEALER NAME: \_\_\_\_\_

ADDRESS: \_\_\_\_\_

CITY: \_\_\_\_\_

PROVINCE/STATE: \_\_\_\_\_

**TECHNICIAN/INSTALLER INFORMATION**

TECHNICIAN NAME: \_\_\_\_\_

ADDRESS: \_\_\_\_\_

CITY: \_\_\_\_\_

PROVINCE/STATE: \_\_\_\_\_

BY **duravent****Selkirk Corporation**

4460 44th Street S.E., Suite F

Grand Rapids, MI 49512

Toll Free: 1.800.992.VENT (8368)

info@selkirkcorp.com

www.selkirkcorp.com

BY **duravent****Selkirk Canada Inc**

P.O. Box 526, Depot 1,

Hamilton, ON L8L 7X6

Toll Free: 1.888.SELKIRK (735.5475)

cscanada@selkirkcorp.com

www.selkirkcorp.ca

BY **duravent****Hart and Cooley LLC**

4460 44th Street S.E., Suite F

Grand Rapids, MI 49512

Toll Free: 1.800.423.4270

info@americanmetalproducts.com

www.ameri-vent.com

Manufacturer reserves the right to make changes at any time, without notice, in design, materials, specifications, prices.  
Consult your local distributor for chimney system code information.

