

**duravent**<sup>TM</sup>  
HEARTH

**Ultimate**  **Plus**<sup>TM</sup>

6"-8" All-Fuel Chimney

10" Chimney for Factory-Built Fireplaces

US and CANADA





**TABLE OF CONTENTS**

---

Installation Information .....4

6"-8" All-Fuel Chimney Features.....5

    Lengths .....6

    Elbows.....8

    Tees .....9

    Supports .....10

    Shields.....14

    Specialized Components.....15

    Flashings .....19

    Accessories.....21

    Kits.....24

10" Chimney for Factory-Built Fireplaces.....25

    Lengths .....26

    Elbows.....28

    Supports .....29

    Shields.....30

    Specialized Components.....31

    Flashings .....33

    Accessories.....34

## INSTALLATION INFORMATION

### Planning Your Installation

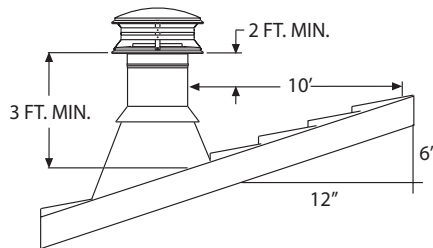


UltimatePlus 6-8" Chimney Installation Instructions



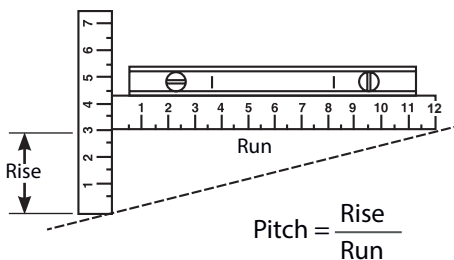
UltimatePlus 10" Chimney Installation Instructions

### Chimney Height



Note: The chimney must extend at least three feet above the highest point where it passes through the roof surface and at least two feet higher than any part of the building within a horizontal distance of ten feet.

### Roof Pitch



The following recommendations are a general guideline to assist in the layout and selection of the chimney components needed for your installation. Always follow UltimatePlus Installation instructions when installing your chimney system.

The diameter of the chimney should match the outlet size of the appliance. An improperly sized chimney results in poor draft and excessive creosote formation.

Measure the diameter of the appliance flue outlet. Select the chimney connector stovepipe with the same size diameter as the appliance flue outlet.

Determine if the installation is a through-the-roof installation or a through-the-wall installation. A through-the-wall installation will require additional components (Wall Thimble, Tee/Cap, Tee Support, Wall Bands, Flue Extension, and Decorative Collar).

Install the chimney in the interior of the structure whenever possible. A cold exterior chimney will produce less draft, generate more creosote, and decrease the efficiency of the appliance.

If possible avoid offsets that serve to restrict the natural draft. A straight vertical installation is more efficient and less likely to develop creosote. If an offset is required to avoid rafters or other obstructions, measure the horizontal distance required and the vertical height available. 15°, 30° and 45° elbows are available. (Note: 45° elbows are only allowed in Canada. The maximum angle allowed in the U.S. is 30°). A maximum of two offsets (four elbows) in a single installation are permitted. At least one suitable support is required for each offset.

Determine the minimum chimney height above the roof line. Building codes require a minimum of 3' above the highest point of contact where the chimney passes through the roof and at least 2' higher than any wall, roof, or adjacent building. The termination cap is installed above that point. If the chimney extends more than 5' above the roof, a Roof Brace KIT (RBK) must be used.

Measure the roof pitch. To determine your roof pitch, measure the number of inches from the end of a level 12" ruler down to the roof. This is the rise for 12 inches of run. For example, a 6/12 pitch has a vertical rise of 6" over a horizontal distance of 12". A rise of 5 inches is a 5/12 pitch, 4 inches is a 4/12 pitch, etc. Select the appropriate flashing.

Determine the total length of chimney and stovepipe required for the installation. To calculate the installed length of 6"-8" Ultimate Plus chimney pipe, subtract 1 1/8" per joint. Subtract 1 3/8" per joint of USP stovepipe. Minimum chimney height, at sea level, of straight vertical chimney, is 10' to 15' above the appliance outlet. Higher elevations, or the use of elbows or a tee, will require more height to provide for an adequate draft.

Be fire safe. Maintain at least 2" clearance to combustibles. Follow local building and installation codes and have your chimney inspected by a certified professional.

## 6" - 8" ALL-FUEL CHIMNEY

### EXCLUSIVE TO HEARTH PROFESSIONALS

UltimatePlus offers the latest technology for hearth professionals. Factory-built design with superior performance, durability and safety.

All the components that you expect and need:

- Lengths
- Elbows
- Tees & Tee Caps
- Variety of Supports:
- Factory-Insulated Supports, Wall Thimbles & Wall Shields
- Firestops and Braces
- Anchor Plate
- Ventilated Flashings
- Chase Installation Option
- Round Top

### FEATURES

**Superior Stainless Steel** inner and outer for exceptional strength and corrosion resistance

Standard Option:

- 304 Stainless Steel Inner
- Satin Finish 430 Stainless Steel Outer

Premium 6" Option:

- 316 Stainless Steel Inner
- Satin Finish 304 Stainless Steel Outer

**Solid-Pack Insulation:** Proprietary 1", High Temperature, Solid-Pack, Mineral Wool Insulation which eliminates the need for continuous supplemental shielding.

**Continuous-Welded** outer and inner seams seal, protect and create a sleek, smooth, professional appearance.

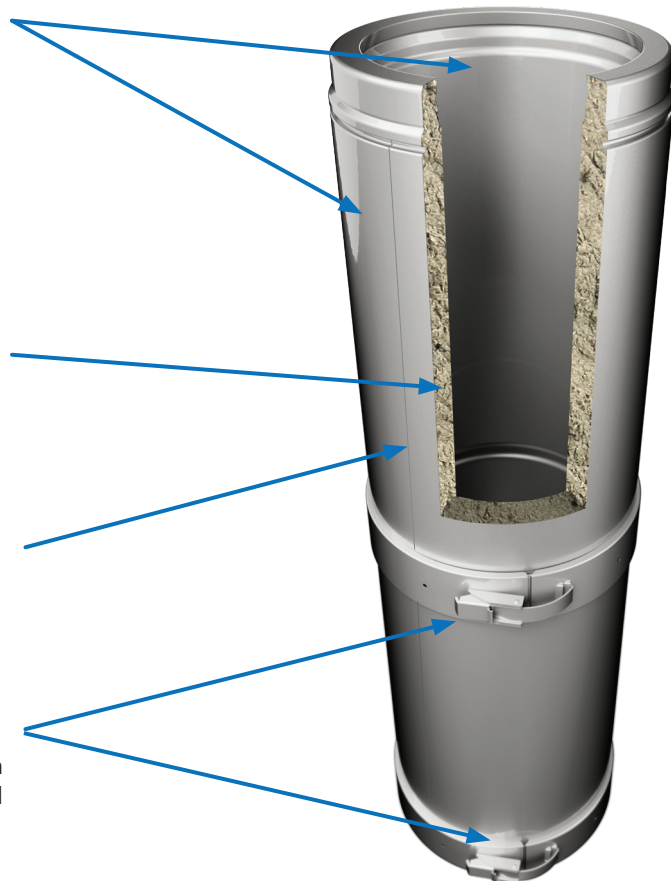
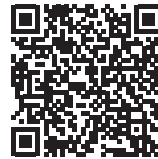
**Latch-Type Locking Band:** The robust design of the UltimatePlus joint-securing system integrates a professional-grade, no tool, latch-type locking band for a quick, solid and secure installation every time! No tools required!

### APPROVALS

- Listed to CAN/ULC-629 & CAN/ULC-604 in Canada
- Listed to UL103 TYPE HT in the U.S.A.
- Can be used with approved appliances listed to UL127 & CAN/ULC-610

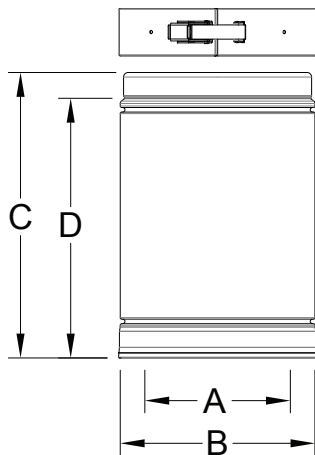
### WARRANTY

Backed by the Duravent Group Limited Lifetime Warranty.



## LENGTHS

### CHIMNEY LENGTHS



- Double-Wall, 1-inch Insulated Chimney with Locking Band
- Chimney is sized according to the inner diameter and is available in 6", 7", and 8".
- Chimney sections are available in 8", 12", 18", 24", 36", and 48" lengths
- Sectional overlap is 1 1/8"

Note:

Standard Option is 304 stainless steel inner and 430 stainless steel outer.

Premium Option is 316 stainless steel inner and 304 stainless steel outer.

Size	Option	Product Number.	Part Number	A	B	C	D	Pack
6"	Std.	0881406	6UP-L8	6"	8"	7 1/2"	6 3/8"	1
6"	Std.	0881206	6UP-L12	6"	8"	11 1/2"	10 3/8"	1
6"	Std.	0881106	6UP-L18	6"	8"	17 1/2"	16 3/8"	1
6"	Std.	0881006	6UP-L24	6"	8"	23 1/2"	22 3/8"	1
6"	Std.	0880306	6UP-L36	6"	8"	35 1/2"	34 3/8"	1
6"	Std.	0880406	6UP-L48	6"	8"	47 1/2"	46 3/8"	1
6"	Prem.	0881406-316	6UP-L8-316SS	6"	8"	7 1/2"	6 3/8"	1
6"	Prem.	0881206-316	6UP-L12-316SS	6"	8"	11 1/2"	10 3/8"	1
6"	Prem.	0881106-316	6UP-L18-316SS	6"	8"	17 1/2"	16 3/8"	1
6"	Prem.	0881006-316	6UP-L24-316SS	6"	8"	23 1/2"	22 3/8"	1
6"	Prem.	0880306-316	6UP-L36-316SS	6"	8"	35 1/2"	34 3/8"	1
6"	Prem.	0880406-316	6UP-L48-316SS	6"	8"	47 1/2"	46 3/8"	1
7"	Std.	0881407	7UP-L8	7"	9 1/4"	7 1/2"	6 3/8"	1
7"	Std.	0881207	7UP-L12	7"	9 1/4"	11 1/2"	10 3/8"	1
7"	Std.	0881107	7UP-L18	7"	9 1/4"	17 1/2"	16 3/8"	1
7"	Std.	0881007	7UP-L24	7"	9 1/4"	23 1/2"	22 3/8"	1
7"	Std.	0880307	7UP-L36	7"	9 1/4"	35 1/2"	34 3/8"	1
7"	Std.	0880407	7UP-L48	7"	9 1/4"	47 1/2"	46 3/8"	1
8"	Std.	0881408	8UP-L8	8"	10 1/4"	7 1/2"	6 3/8"	1
8"	Std.	0881208	8UP-L12	8"	10 1/4"	11 1/2"	10 3/8"	1
8"	Std.	0881108	8UP-L18	8"	10 1/4"	17 1/2"	16 3/8"	1
8"	Std.	0881008	8UP-L24	8"	10 1/4"	23 1/2"	22 3/8"	1
8"	Std.	0880308	8UP-L36	8"	10 1/4"	35 1/2"	34 3/8"	1
8"	Std.	0880408	8UP-L48	8"	10 1/4"	47 1/2"	46 3/8"	1

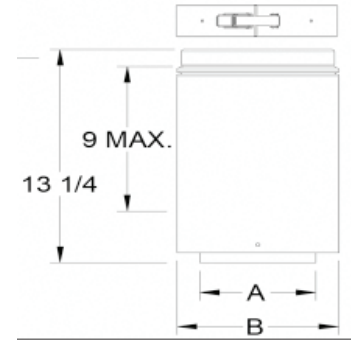
**LENGTHS CONTINUED**

- Available in 6", 7", and 8" diameters
- Used in combination with straight insulated length
- Used to adjust the system to an exact overall length
- Used also between elbows for a required offset distance
- Locking Band and 4 Stainless Steel Securing Screws included
- 6" diameter inner liner also available in 316 stainless steel
- Requires a minimum 3" overlap

Note: A support must be installed within 5 feet

**12" ADJUSTABLE LENGTHS**

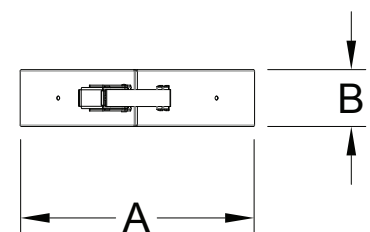
Size	Option	Product Number.	Part Number	A	B	C	D Min	D Max	Pack
6"	Std.	0881506	6UP-AL12	6"	8 1/8"	13 1/4"	2"	9"	1
6"	Prem.	0881506-316	6UP-AL12-316SS	6"	8 1/8"	13 1/4"	2"	9"	1
7"	Std.	0881507	7UP-AL12	7"	9 1/2"	13 1/4"	2"	9"	1
8"	Std.	0881508	8UP-AL12	8"	10 1/2"	13 1/4"	2"	9"	1



- Available in 6", 7", and 8"
- All Stainless Steel construction
- Professional-grade Latch-Type Locking Mechanism
- Simply latches to positively lock into place - No tools required!

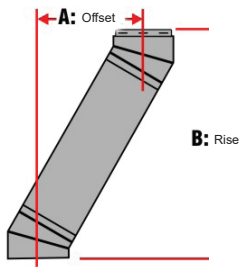
**LOCKING BAND**

Size	Product Number	Part Number	A	B	Pack
6"	0889306	6UP-LB	8"	2"	1
7"	0889307	7UP-LB	9 1/4"	2"	1
8"	0889308	8UP-LB	10 1/4"	2"	1



## ELBOWS

### INSULATED ELBOWS

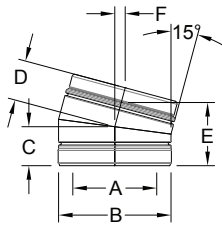


A maximum of two offsets (4 elbows in all) is allowed per chimney system. The chimney must not be inclined more than 30° from vertical in the USA and 45° in Canada. Offset charts are available to assist in determining your offset and rise.

The vertical run of the chimney above an offset must be supported using the Universal Roof Support (URS) or the Universal Wall Support (UWS). All joints forming an offset must be secured with a Locking Band with the latch fastened to the farthest lance and secured with three (3) stainless steel screws (supplied).

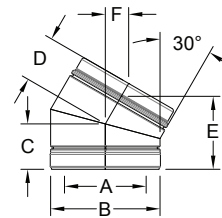
- Available in 6", 7", and 8" diameters
- Available in 15°, 30°, and 45° (Canada only)
- Sold individually
- Used in pairs to offset chimney around obstacles such as joist or truss
- Maximum of 2 offsets is permitted
- Must be supported with Universal Roof Support or Universal Wall Support
- Can be rotated to attain optimum positioning and allow chimney to return to correct vertical alignment, prior to installing Locking Bands and screws.
- Locking Band and 3 stainless steel screws included
- 6" diameter inner liner also available in Premium option of 316 stainless steel

### 15° ELBOWS



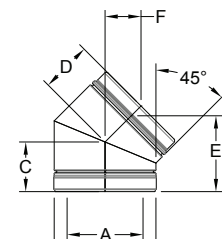
Size	Option	Product Number.	Part Number	A	B	C	D	E	F	Pack
6"	Std.	0882406	6UP-EL15	6"	8"	2 3/8"	3"	4 3/8"	1/2"	1
6"	Prem.	0882406-316	6UP-EL15-316SS	6"	8"	2 3/8"	3"	4 3/8"	1/2"	1
7"	Std.	0882407	7UP-EL15	7"	9 1/4"	2 1/2"	3 1/8"	4 5/8"	1/2"	1
8"	Std.	0882408	8UP-EL15	8"	10 1/4"	2 1/2"	3 1/8"	4 3/4"	1/2"	1

### 30° ELBOWS



Size	Option	Product Number.	Part Number	A	B	C	D	E	F	Pack
6"	Std.	0882306	6UP-EL30	6"	8"	2 3/4"	4 1/2"	5 1/4"	1 1/8"	1
6"	Prem.	0882306-316	6UP-EL30-316SS	6"	8"	2 3/4"	4 1/2"	5 1/4"	1 1/8"	1
7"	Std.	0882307	7UP-EL30	7"	9 1/4"	3"	4 3/4"	5 1/2"	1 1/4"	1
8"	Std.	0882308	8UP-EL30	8"	10 1/4"	3 1/8"	4 7/8"	5 3/4"	1 3/8"	1

### 45° ELBOWS (CANADA ONLY)



Size	Option	Product Number.	Part Number	A	B	C	D	E	F	Pack
6"	Std.	0882506	6UP-EL45	6"	8"	3 3/8"	5 1/8"	5 7/8"	2"	1
6"	Prem.	0882506-316	6UP-EL45-316SS	6"	8"	3 3/8"	5 1/8"	5 7/8"	2"	1
7"	Std.	0882507	7UP-EL45	7"	9 1/4"	3 5/8"	5 3/8"	6 3/8"	2 1/4"	1
8"	Std.	0882508	8UP-EL45	8"	10 1/4"	3 7/8"	5 5/8"	6 3/4"	2 3/8"	1

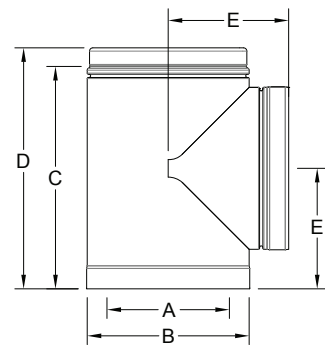


## TEES

- Available in 6", 7", and 8"
- Used for a through-the-wall installation with a Base Tee Wall Support or Universal Wall Support
- Insulated chimney length is attached to the tee branch using the Locking Band and Stainless Steel Screws included
- Maximum height of supported chimney determined by diameter and wall support type
- 6" diameter inner liner also available in 316 stainless steel

Size	Product Number	Part Number	A	B	C	D	E	Pack
6"	0884306	6UP-IT	6"	8"	12 ½"	11 ⅜"	6 ¼"	1
6"	0884306-316	6UP-IT-316SS	6"	8"	12 ½"	11 ⅜"	6 ¼"	1
7"	0884307	7UP-IT	7"	9 ¼"	13 ¾"	12 ½"	6 ⅞"	1
8"	0884308	8UP-IT	8"	10 ¼"	14 ¾"	13 ½"	7 ⅜"	1

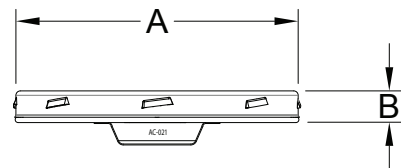
### INSULATED TEE & TEE CAP



- Available in 6", 7", and 8"
- Used to close the base of an Insulated Tee
- Easily removed for chimney maintenance or inspection
- Insulated to maintain flue gas temperatures
- 6" diameter Inner Liner also available in 316 stainless steel

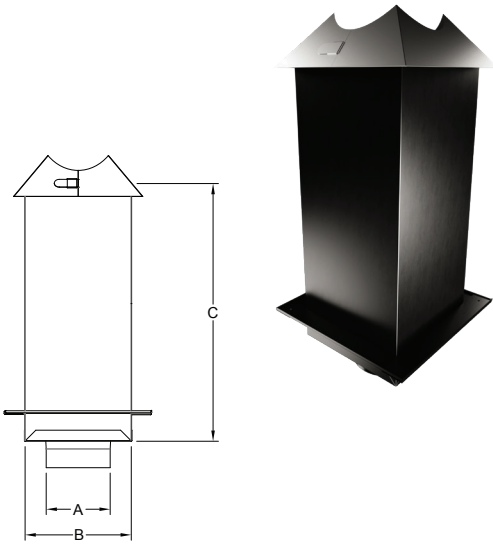
Size	Product Number	Part Number	Option	A	B	Pack
6"	0874506	6UP-ITC	Standard	7 ¾"	1 ⅜"	5
6"	0874506-316	6UP-ITC-316SS	Premium	7 ¾"	1 ⅜"	5
7"	0874507	7UP-ITC	Standard	9"	1 ½"	5
8"	0874508	8UP-ITC	Standard	10"	1 ⅜"	5

### INSULATED TEE CAP



## SUPPORTS

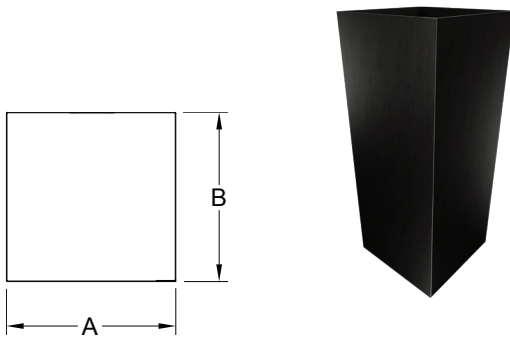
### INSULATED REDUCED CEILING SUPPORT



- Available in 6", 7", and 8"
- Used to support chimney with flat, vaulted, or cathedral ceiling
- Certified to reduce clearances from 2" to 1" for any portion of chimney shielded within the support box
- Supports up to 60'
- Insulated to prevent heat loss or cold air infiltration
- Smoke Pipe Adapter, Mineral Wool Insulation Blanket, Finishing Trim, Square-to-Round Collar and Hardware Pack are included
- Adjustable from 24" up to 46" with Reduced Clearance Extension

Size	Product Number	Part Number	A	B	C	Pack
6"	0892406	6UP-IRCS	6"	9 7/8"	24"	1
7"	0892407	7UP-IRCS	7"	10 7/8"	24"	1
8"	0892408	8UP-IRCS	8"	11 7/8"	24"	1

### REDUCED CEILING SUPPORT EXTENSION



- Available in 6", 7", and 8"
- Used to extend the height of the Insulated Reduced Clearance Support (IRCS) for an additional 22"
- Matte black finish
- Hardware pack included

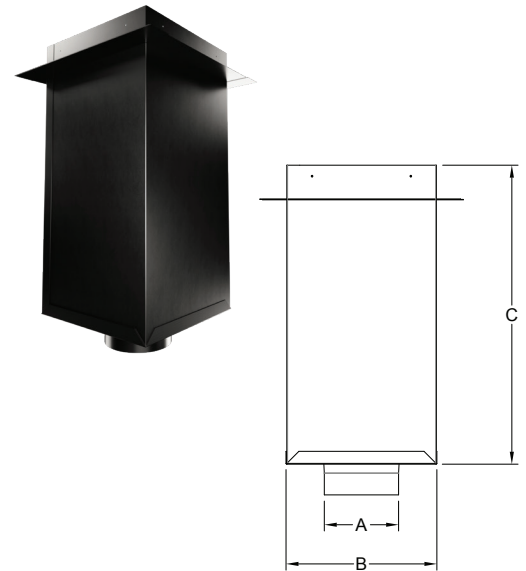
Size	Product Number	Part Number	A	B	Pack
6"	0892506	6UP-RCSE	9 7/8"	24"	1
7"	0892507	7UP-RCSE	10 7/8"	24"	1
8"	0892508	8UP-RCSE	11 7/8"	24"	1

**SUPPORTS CONT'D.**

- Available in 6", 7", and 8"
- Used to support chimney with flat, vaulted, or cathedral ceiling
- Supports up to 60'
- Designed for 16" on-center framing construction
- Decorative matte black finish
- Smoke Pipe Adapter, Finishing Trim, and Hardware Pack are included
- Adjustable from 24" up to 46" with Square Cathedral Support Extension

Size	Product Number	Part Number	A	B	C	Pack
6"	0892806	6UP-SCS	6"	12 1/8"	24"	1
7"	0892807	7UP-SCS	7"	13 1/8"	24"	1
8"	0892808	8UP-SCS	8"	14 1/8"	24"	1

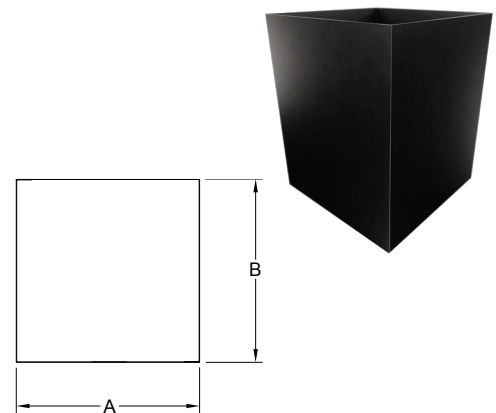
**SQUARE CATHEDRAL SUPPORT**



- Available in 6", 7", and 8"
- Used to extend the height of the Square Cathedral Ceiling Support for an additional 22"
- Matte black finish
- Hardware pack included

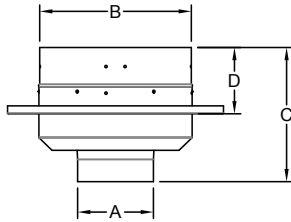
Size	Product Number	Part Number	A	B	Pack
6"	0892906	6UP-SCSE	11 7/8"	24"	1
7"	0892907	7UP-SCSE	13 7/8"	24"	1
8"	0892908	8UP-SCSE	13 7/8"	24"	1

**SQUARE CATHEDRAL SUPPORT EXTENSION**



**SUPPORTS CONT'D.**

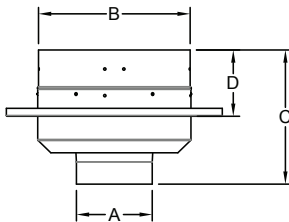
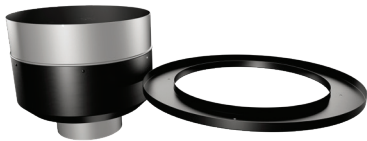
**ROUND SUPPORT WITH BUILT-IN TRIM**



- Available in 6", 7", and 8"
- Round Finishing Support with integrated Round Trim Collar for use on flat ceiling
- Supports up to 75'
- Smoke Pipe Adapter and Hardware Pack are included

Size	Product Number	Part Number	A	B	C	D	Pack
6"	0894606	6UP-RFSBT	6"	12"	10 ½"	5 ½"	1
7"	0894607	7UP-RFSBT	7"	14 ⅛"	10 ½"	5 ½"	1
8"	0894608	8UP-RFSBT	8"	14 ⅛"	10 ½"	5 ½"	1

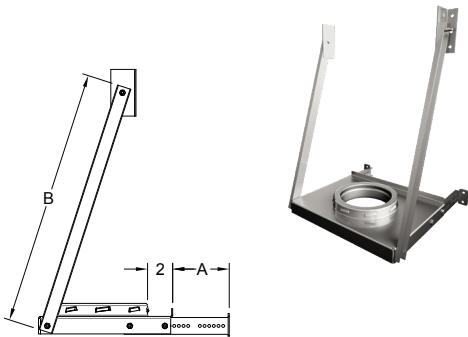
**6" ROUND SUPPORT WITH DETACHED TRIM**



- Available in 6" ONLY
- Round Finishing Support with removable Round Trim Collar for use on flat ceiling
- Supports up to 75'
- Smoke Pipe Adapter and Hardware Pack are included

Size	Product Number	Part Number	A	B	C	D	Pack
6"	0894706	6UP-RFSDT	6"	12"	10 ½"	5 ½"	1

**ADJUSTABLE BASE TEE WALL SUPPORT**



- Available in 6", 7", and 8"
- Used to support chimney system at the base of the installation when using Insulated Tee
- Supports up to 63' of chimney (6")
- Maintains the minimum 2" clearance to wall and provides an additional 4 7/8" adjustability
- Support Plate, Wall Brackets, and Hardware Pack included

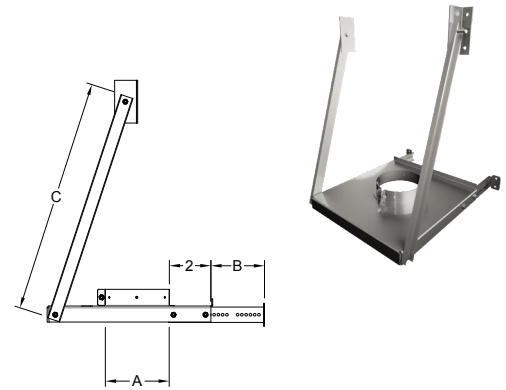
Size	Product Number	Part Number	A		B	Pack
			Min	Max		
6"	0872806	6UP-BTWS	0"	4 7/8"	26 ¾"	1
7"	0872807	7UP-BTWS	0"	4 7/8"	26 ¾"	1
8"	0872808	8UP-BTWS	0"	4 7/8"	26 ¾"	1

**SUPPORTS CONT'D.**

- Available in 6", 7", and 8"
- Used as supplemental support when chimney system height exceeds maximum height allowed by Wall Support
- Supports up to 63' of chimney (6")
- Maintains the minimum 2" clearance to wall and provides an additional 4 7/8" in adjustability

Size	Product Number	Part Number	A	B		C	Pack
				Min	Max		
6"	0873806	6UP-AIWS	8"	0"	4 7/8"	26 3/4"	1
7"	0873807	7UP-AIWS	9"	0"	4 7/8"	26 3/4"	1
8"	0873808	8UP-AIWS	10"	0"	4 7/8"	26 3/4"	1

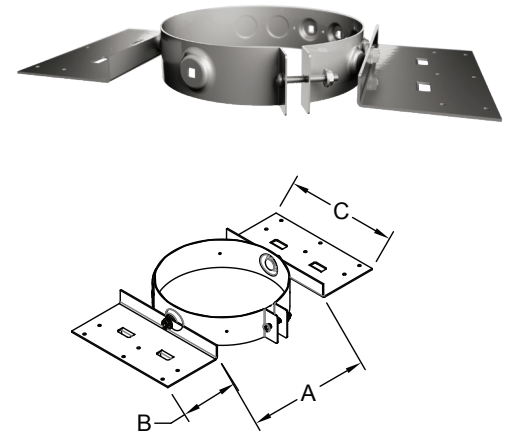
**ADJUSTABLE INTERMEDIATE WALL SUPPORT**



- Adjusts to fit 6", 7", and 8" chimney
- Designed to provide support at the roof and adjusts to any roof pitch
- Also used to provide support for an offset
- Will support up to 34' of 6" chimney, 27' of 7" chimney, or 24' of 8" chimney
- Universal Collar, Roof Brackets, and Hardware Pack included

Size	Product Number	Part Number	A Int	B	C	Pack
6"	0860500	UP-URS	8 1/8"	4 1/8"	8"	10
7"			9 1/4"	4 1/8"	8"	10
8"			10 1/4"	4 1/8"	8"	10

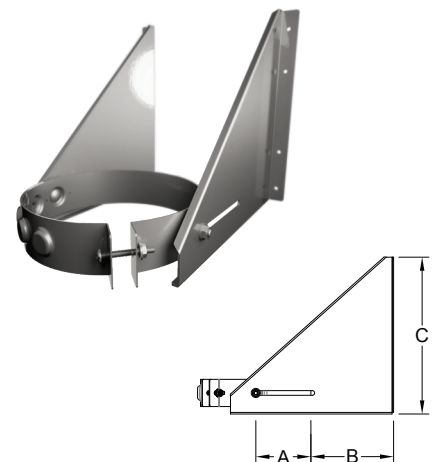
**UNIVERSAL ROOF SUPPORT**



- Designed to support a vertical wall installation above the tee or above an offset
- Also serves as an intermediate support
- Maintains the minimum 2" clearance to wall and provides an additional 2 3/4" in adjustability
- Will support up to 28' of 6" chimney
- Support Brackets, Support Band, and Hardware Pack included

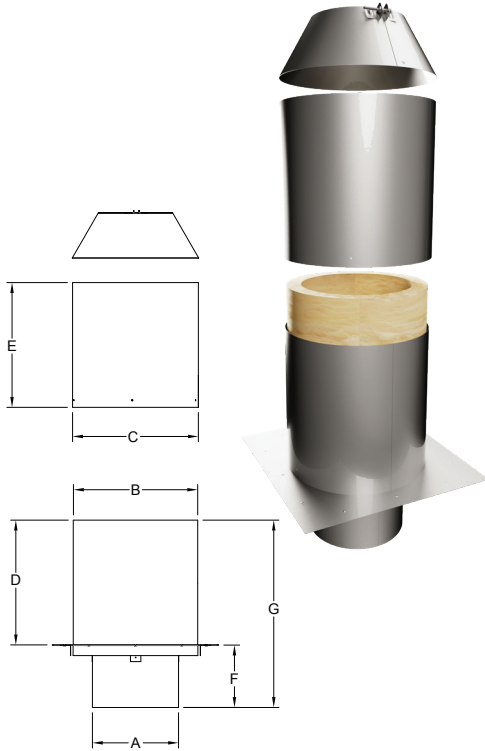
Size	Product Number	Part Number	A Min	A Max	B	C	Pack
6"	0872800	UP-UWS	1/8"	4 1/8"	6"	11 5/8"	4
7"			5/8"	4 1/8"	6"	11 5/8"	4
8"			1 1/8"	4 1/8"	6"	11 5/8"	4

**UNIVERSAL WALL SUPPORT**



## SHIELDS

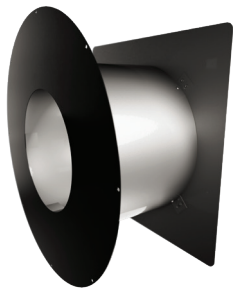
### ADJUSTABLE ATTIC INSULATED SHIELD



- Available in 6", 7", and 8" diameters
- Two-piece overlapping design adjusts from 12" up to 22" height to accommodate deeper levels of insulation
- Insulated to prevent heat loss or cold air infiltration
- Mineral Wool Insulation Blanket, Base Plate, and Collar included
- Must be installed where the chimney enters the attic space
- Designed to keep insulation away from the chimney and to maintain the mandatory 2" clearance

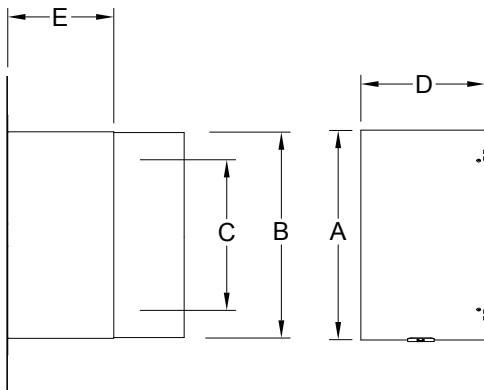
Size	Product Number.	Part Number	A Ext.	B Ext.	C Int.	D	E	F	G	Pack
6"	0893406	6UP-AAIS	8 ¼"	12"	12 ½"	12"	12"	6"	18"	1
7"	0893407	7UP-AAIS	9 ½"	13 ¼"	13 ½"	12"	12"	6"	18"	1
8"	0893408	8UP-AAIS	10 ½"	14 ¼"	14 ½"	12"	12"	6"	18"	1

### INSULATED WALL THIMBLE



- Available in 6", 7", and 8"
- Required where the chimney passes through a combustible wall
- Accommodates 7" to 12" wall thickness, can be trimmed for thinner walls
- Insulated to prevent heat loss or cold air infiltration
- Mineral Wool Insulation Blanket and Matte Black Finish Trim Collar included

Size	Product Number.	Part Number	A Int.	B Int.	C Int.	D	E	Pack
6"	0888706	6UP-IWT	11 7/8"	11 5/8"	8 ½"	7"	6"	1
7"	0888707	7UP-IWT	12 7/8"	12 5/8"	9 ¾"	7"	6"	1
8"	0888708	8UP-IWT	13 7/8"	13 5/8"	10 ¾"	7"	6"	1

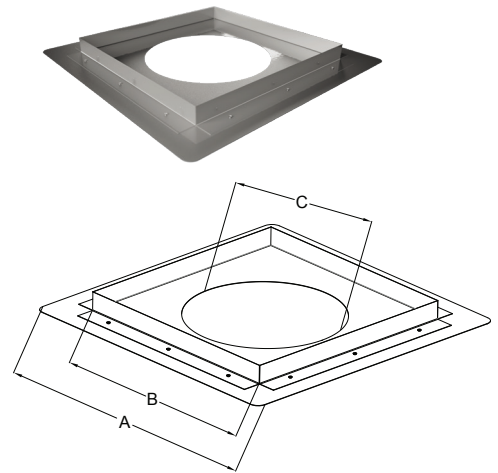


**SHIELDS CONT'D.**

- Available in 6", 7", and 8"
- Used at the ceiling level where the chimney passes through a floor or into an attic space

Size	Product Number	Part Number	A Square Plate	B Flange	C Opening	Pack
6"	0887906	6UP-FS	16"	12"	8 ¼"	10
7"	0887907	7UP-FS	16"	13"	9 ⅜"	10
8"	0887908	8UP-FS	16"	14"	10 ⅜"	3

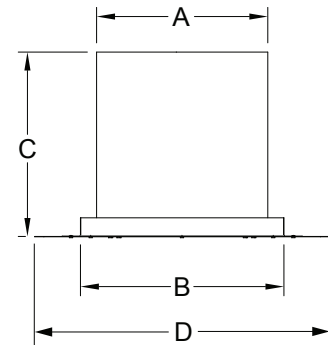
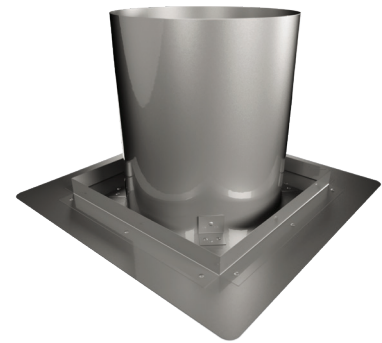
**FIRESTOP**



- Available in 6", 7", and 8"
- Can be used as alternative to the standard Firestop
- Includes a radiation shield
- Used at the ceiling level where the chimney passes through a floor or into an attic space

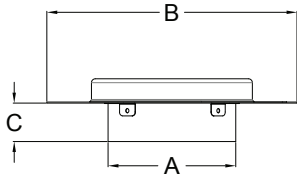
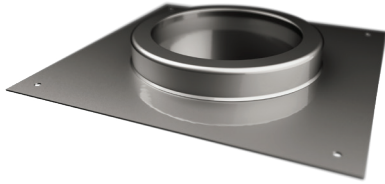
Size	Product Number	Part Number	A	B	C	D	Pack
6"	0879006	6UP-FRS10	10"	12"	10"	16"	5
7"	0879007	7UP-FRS10	11 ½"	13"	10"	16"	5
8"	0879008	8UP-FRS10	12 ½"	14"	10"	16"	5

**FIRESTOP RADIATION SHIELD**



**SPECIALIZED COMPONENTS**

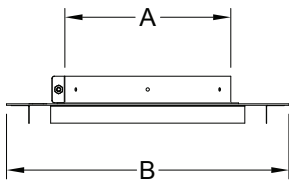
**ANCHOR PLATE**



- Available in 6", 7", and 8" diameters
- Provides a secure attachment for adapting the UltimatePlus chimney to a masonry fireplace
- Can be used with factory-built fireplace certified for use with UltimatePlus
- Hardware Pack included

Size	Product Number	Part Number	A Int.	B	C	Pack
6"	0879906	6UP-AP	6"	12"	1 ¾"	10
7"	0879907	7UP-AP	7"	12"	1 ¾"	10
8"	0879908	8UP-AP	8"	12"	1 ¾"	10

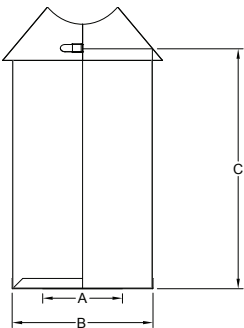
**FLOOR SUPPORT PLATE**



- Available in 6", 7", and 8"
- Used to support the chimney on a slab, floor, or joist
- Includes a tightening collar that locks around the chimney
- Supports 32' of chimney
- Support Plate, Support Band, and Hardware Pack included

Size	Product Number	Part Number	A Int.	B	Pack
6"	0892606	6UP-FSP	8 ⅛"	16"	5
7"	0892607	7UP-FSP	9 ½"	16"	5
8"	0892608	8UP-FSP	10 ½"	18"	5

**INSULATED PASS-THROUGH RADIATION SHIELD**



- Available in 6", 7", and 8" diameters
- Used when insulated chimney passes up through a ceiling opening into an attic space
- Suited for flat, vaulted, or cathedral ceilings; and multi-story applications
- Bottom of the Pass-Through also functions as a firestop
- Top to Square-to-Round Collar serves as an Adjustable Attic Insulation Shield
- Adjustable from 24" up to max 46" when used with Reduced Clearance Extension
- Insulated to prevent heat loss or cold air infiltration
- Mineral Wool Insulation Blanket and Square-to-Round Collar included

Size	Product Number	Part Number	A	B	C	Pack
6"	0892706	6UP-IPTS	8"	12"	24"	1
7"	0892707	7UP-IPTS	9 ¼"	13"	24"	1
8"	0892708	8UP-IPTS	10 ¼"	14"	24"	1



**SPECIALIZED COMPONENTS CONT'D.**

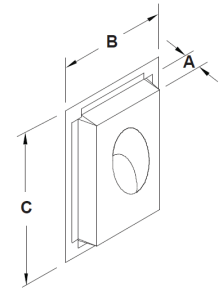
- Available in 6", 7", and 8"
- Available in 30°; 45° (Canada Only)
- Used only with wood-burning fireplaces that have been certified for use with UltimatePlus chimney system
- Designed for use when the chimney passes through a wall at an angle
- Factory Insulated to maintain the thermal envelope of your home - 3" thick

**INSULATED WALL SHIELDS**



**30° INSULATED WALL SHIELD**

Size	Product Number	Part Number	A	B	C	Pack
6"	088006	6UP-WRIS30	3"	15 5/8"	34 3/4"	1
7"	088007	7UP-WRIS30	3"	16 5/8"	37 3/4"	1
8"	088008	8UP-WRIS30	3"	17 5/8"	39 3/4"	1



**45° INSULATED WALL SHIELD (CANADA ONLY)**

Size	Product Number	Part Number	A	B	C	Pack
6"	088106	6UP-WRIS45	3"	15 5/8"	24 5/8"	1
7"	088107	7UP-WRIS45	3"	16 5/8"	26 5/8"	1
8"	088108	8UP-WRIS45	3"	17 5/8"	28"	1

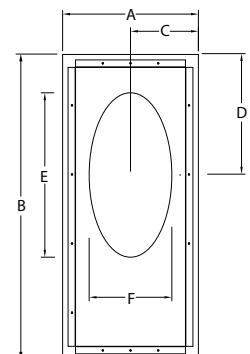
- Available in 6", 7", and 8"
- Available in 30°; 45° (Canada only)
- Used only with wood-burning fireplaces that have been certified for use with the UltimatePlus chimney system
- Designed for use where the chimney passes through a wall at an angle

**ANGLED FIRESTOPS**



**30° ANGLED FIRESTOP**

Size	Product Number	Part Number	A	B	C	D	E	F	Pack
6"	088206	6UP-AFS30	15 3/4"	35 1/4"	7 7/8"	13 3/8"	16 1/4"	8 1/8"	1
7"	088207	7UP-AFS30	16 3/4"	37 3/4"	8 3/8"	14 5/8"	18 3/4"	9 3/8"	1
8"	088208	8UP-AFS30	17 3/4"	39 1/4"	8 7/8"	15 5/8"	20 3/4"	10 3/8"	1

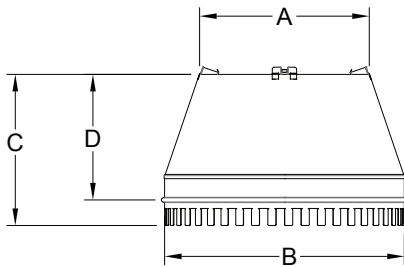


**45° ANGLED FIRESTOP (CANADA ONLY)**

Size	Product Number	Part Number	A	B	C	D	E	F	Pack
6"	088306	6UP-AFS45	15 5/8"	24 7/8"	7 7/8"	10"	11 1/2"	8 1/8"	1
7"	088307	7UP-AFS45	16 5/8"	26 5/8"	8 3/8"	10 3/4"	13 1/4"	9 3/8"	1
8"	088308	8UP-AFS45	17 5/8"	28"	8 7/8"	11 1/2"	14 3/4"	10 3/8"	1

**SPECIALIZED COMPONENTS CONT'D.**

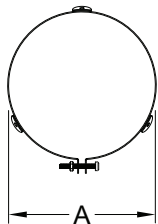
**TALL CONE CHASE ADAPTER**



- Available in 6", 7", and 8"
- Used where the chimney passes through a custom chase top flashing
- Vented cone with integrated spacers at top to ensure ventilation
- Tested to meet vented flashing requirements
- Bottom tabs easily attach to custom chase flashings
- Storm Collar and Roof Radiation Shields included

Size	Product Number	Part Number	A Int.	B Ext.	C	D	Pack
6"	0893506	6UP-TCCA	10 1/8"	14 1/8"	8 7/8"	7 3/8"	1
7"	0893507	7UP-TCCA	11 1/2"	14 1/8"	8 7/8"	7 3/8"	1
8"	0803508	8UP-TCCA	12 1/2"	14 1/8"	8 7/8"	7 3/8"	1

**GUY WIRE BAND**



- Available in 6", 7", and 8"
- Used to provide added stability to a chimney that protrudes from 5' to 13' above a roof
- Guy Wire Band includes three attaching tabs for securing guy wire (not included)

Size	Product Number	Part Number	A Int.	Pack
6"	0861206	6UP-GWB	8"	10
7"	0861207	7UP-GWB	9 1/2"	10
8"	0861208	8UP-GWB	10 1/2"	10

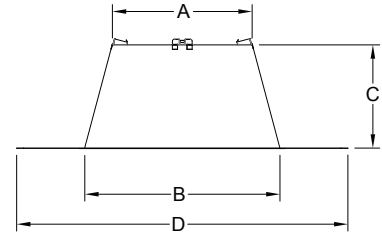
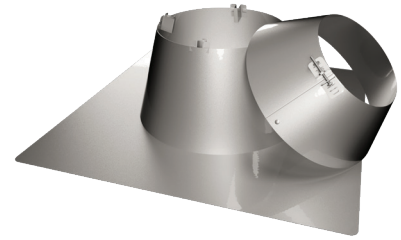
## FLASHINGS CONTINUED

- Available in 6", 7", and 8"
- Used where the chimney passes through a flat roof
- Vented flashing with integrated spacers ensures ventilation
- Storm Collar and Roof Radiation Shields included

Note: Roof Radiation Shields are optional in Canada.

Size	Product Number	Part Number	A	B	C	D	Pack
6"	0893006	6UP-FRF	10 1/8"	14 1/8"	7 1/2"	24"	3
7"	0893007	7UP-FRF	11 1/2"	14 1/8"	7 1/2"	24"	3
8"	0893008	8UP-FRF	12 1/2"	14 1/8"	7 1/2"	24"	3

### FLAT ROOF FLASHING

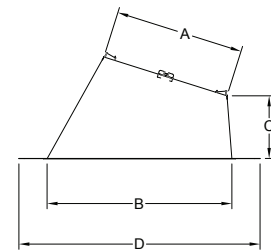
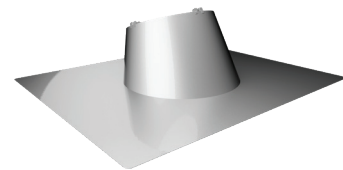


- Available in 6", 7", and 8"
- Used on corrugated or tiled roofs, designed to be molded to uneven roof surfaces
- Used where the chimney passes through a pitched roof
- Vented flashing with integrated spacers ensures ventilation
- Available in pitches of 1/12 to 7/12, 8/12 to 12/12
- Storm Collar and Roof Radiation Shields included

Note: Roof Radiation Shields are optional in Canada.

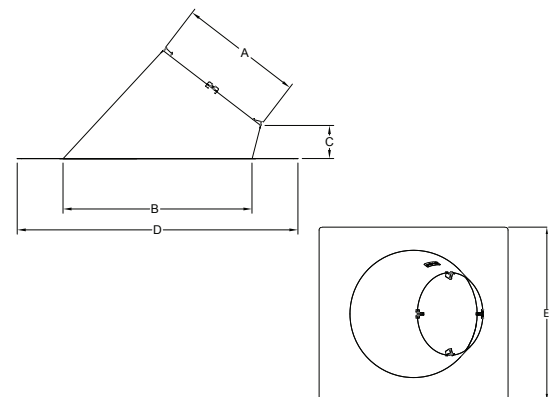
### 1/12 TO 7/12

Size	Product Number	Part Number	A	B	C	D	Pack
6"	0893206	6UP-AFD7	10 1/8"	16 1/8"	6"	24"	1
7"	0893207	7UP-AFD7	11 1/2"	16 1/8"	6"	24"	1
8"	0893208	8UP-AFD7	12 1/2"	17 5/8"	6"	24"	1



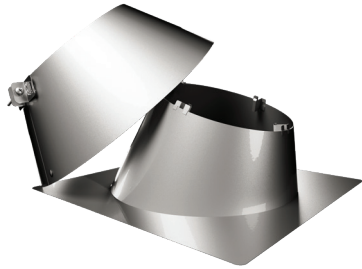
### 8/12 TO 12/12

Size	Product Number	Part Number	A	B	C	D	E	Pack
6"	0893606	6UP-AFD12	10 1/8"	17 5/8"	6"	36"	29 1/2"	3
7"	0893607	7UP-AFD12	11 1/2"	17 5/8"	4 1/2"	36"	29 1/2"	3
8"	0893608	8UP-AFD12	12 1/2"	17 5/8"	3 7/8"	36"	29 1/2"	3

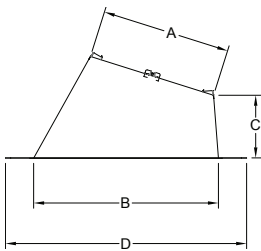


## FLASHINGS

### ADJUSTABLE FLASHING & STORM COLLAR

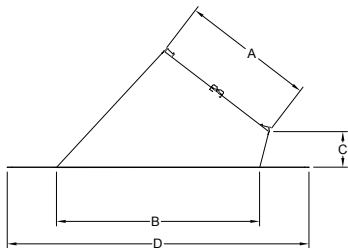


- Available in 6", 7", and 8"
  - Used where the chimney passes through a pitched roof
  - Vented flashing with integrated spacers ensures ventilation
  - Available in pitches of 1/12 to 7/12, 8/12 to 12/12, and 12/12 to 21/12
  - Storm Collar and Roof Radiation Shields included
- Note: Roof Radiation Shields are optional in Canada.



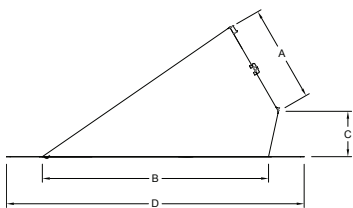
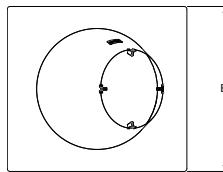
#### 1/12 TO 7/12

Size	Product Number	Part Number	A Int.	B Int.	C	D	Pack
6"	0893306	6UP-ARF7	10 3/8"	16 1/8"	6"	24"	3
7"	0893307	7UP-ARF7	11 1/2"	16 1/8"	6"	24"	3
8"	0893308	8UP-ARF7	12 1/2"	17 5/8"	6"	24"	3



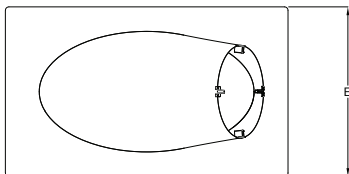
#### 8/12 TO 12/12

Size	Product Number	Part Number	A Int.	B Int.	C	D	E	Pack
6"	0893706	6UP-ARF12	10 3/8"	16 1/8"	6"	27"	24"	3
7"	0893707	7UP-ARF12	11 1/2"	17 5/8"	4 1/2"	27"	24"	3
8"	0893708	8UP-ARF12	12 1/2"	17 5/8"	3 7/8"	27"	24"	3



#### 12/12 TO 21/12

Size	Product Number	Part Number	A Int.	B Int.	C	D	E	Pack
6"	0893906	6UP-ARF21	10 3/8"	17 5/8"	5 7/8"	36"	24"	1
7"	0893907	7UP-ARF21	11 1/2"	17 5/8"	5 7/8"	36"	24"	1
8"	0893908	8UP-ARF21	12 1/2"	17 5/8"	5 7/8"	36"	24"	1



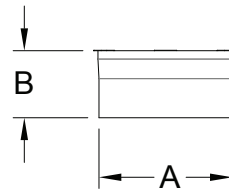
## ACCESSORIES

- Available in 6", 7", and 8"
- For transition from black stove pipe to UltimatePlus chimney
- Stainless steel construction
- Hardware pack included

Note: Standard Option is 304 stainless steel. Premium Option (available in 6" only) is 316 stainless steel.

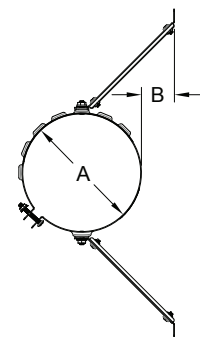
Size	Product Number	Part Number	Option	A	B	Pack
6"	0879806	6UP- SPA	Standard	6"	3"	10
6"	0879806-316	6UP-SPA-316SS	Premium	6"	3"	10
7"	0879807	7UP-SPA	Standard	7"	3"	10
8"	0879808	8UP-SPA	Standard	8"	3"	10

### SMOKE PIPE ADAPTER



- Used to provide lateral support for the chimney when installed adjacent to a wall
- Sliding Legs provide horizontal adjustability dependent on diameter
- Maintains the minimum 2" clearance to wall
- Required at 8' or closer intervals to stabilize the chimney, whenever it is supported along a vertical wall
- Universal Collar, Sliding Legs, and Hardware Pack included.

### UNIVERSAL WALL BAND

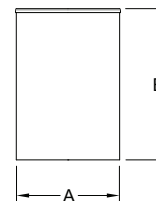
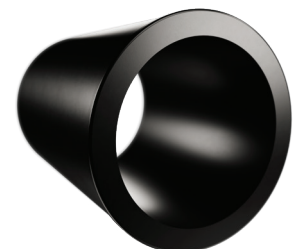


Size	Standard Option		A Int	Clearance Range		Pack
	Product Number	Part Number		B Min	B Max	
6"	0887800	UP-UWB	8 1/8"	2"	6"	10
7"			9 1/4"	2"	5 1/2"	10
8"			10 1/4"	2"	5"	10

- Available in 6", 7", and 8"
- Sleeve provides a decorative finish to the horizontal length within the room when passing through a non-combustible wall
- Matte black finish

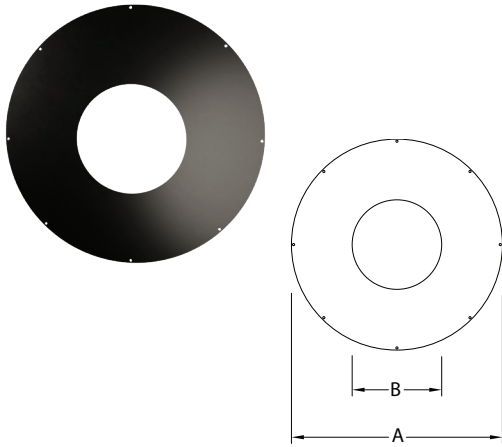
Size	Product Number	Part Number	A Ext.	B	Pack
6"	0877406	6UP- DS	8 1/4"	12"	1
7"	0877407	7UP- DS	9 1/2"	12"	1
8"	0877408	8UP- DS	10 1/2"	12"	1

### DECORATIVE SLEEVE



**ACCESSORIES CONT'D.**

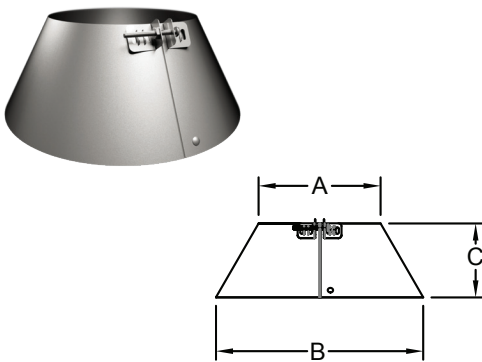
**TRIM COLLAR**



- Available in 6", 7", and 8"
- Used to provide a professional finish around the chimney when passing through a non-combustible wall
- Matte black finish

Size	Product Number	Part Number	A	B	Pack
6"	0887306	6UP-TC	18"	8 3/8"	5
7"	0887307	7UP-TC	21"	9 5/8"	5
8"	0887308	8UP-TC	21"	10 5/8"	5

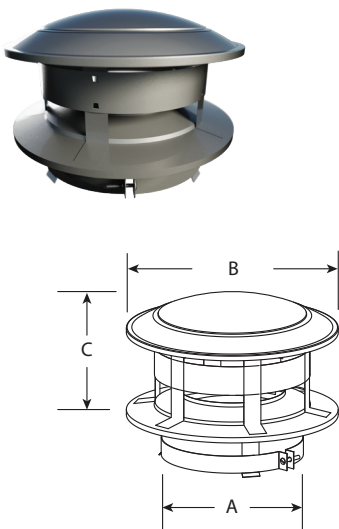
**STORM COLLAR**



- Available in 6", 7", and 8"
- Used in conjunction with roof flashing to weather proof the system
- Storm Collar is included with all Roof Flashings

Size	Product Number	Part Number	A Int.	B Int.	C	Pack
6"	0887406	6UP-SC	8 1/8"	13 1/8"	4 3/8"	10
7"	0887407	7UP-SC	9 1/8"	14 1/8"	4 3/8"	10
8"	0887408	8UP-SC	10 1/4"	15 1/4"	4 3/8"	10

**ROUND TOP TERMINATION & BAND**



- Available in 6", 7", and 8"
- Used to prevent rain and debris from entering the chimney
- Lower skirt deflects wind for proper chimney draft
- Designed for easy installation and removal for inspection and cleaning
- Cinch band holds the Round Top firmly in place

Note: Standard Option is 304 stainless steel. Premium Option (available in 6" only) is 316 stainless steel.

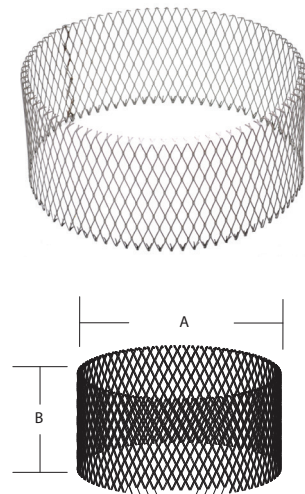
Size	Product Number	Part Number	Option	A	B	C	Pack
6"	0887606	6UP-CT	Standard	8"	12"	5 1/2"	1
6"	0887606-316	6UP-CT-316SS	Premium	8"	12"	5 1/2"	1
7"	0887607	7UP-CT	Standard	9"	14"	6 1/4"	1
8"	0887608	8UP-CT	Standard	10"	16"	7"	1

**ACCESSORIES CONT'D.**

- Available in 6", 7", and 8"
- Corrosion resistant diamond mesh Stainless Steel
- Helps prevent burning embers from exiting the flue
- Helps prevent birds and animals from entering the chimney
- Preformed
- Slips over the dome of the Round Top
- Used to comply with local codes, where required

Size	Product Number	Part Number	A	B	Pack
6"	206791	6T-USA	12	4"	1
7"	207791	7T-USA	14"	5"	1
8"	208791	8T-USA	16	5 ½"	1

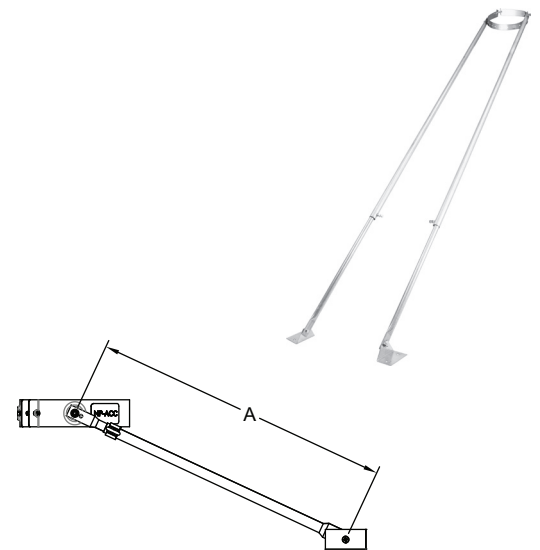
**UNIVERSAL SPARK ARRESTER**



- Required to stabilize chimney when 5 feet or more extends above the roof-line. Use one kit every 5 feet.
- Adjusts to fit 6", 7", and 8" chimneys
- Telescoping legs adjust from 5' to 9'
- Hardware Pack included

Size	Product Number	Part Number	A Length Range.		Pack
			Min.	Max.	
6" to 8"	0887400	UP-URBK	60"	108"	1

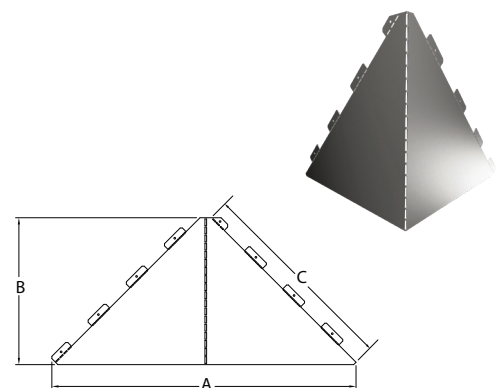
**UNIVERSAL ROOF BRACE KIT**



- Designed to deflect snow and ice while preventing unnecessary strain or damage to chimney
- Mounts directly above chimney pipe
- Ships flat and easily assembled on the job site
- Made from heavy-duty 14 gauge galvanized steel

Product Number	Part Number	A	B	C	Pack
0861100	UP-USSA	45"	21 ¾"	31"	1

**UNIVERSAL SNOW SPLITTER**



**KITS**

**ADJUSTABLE BASE TEE WALL SUPPORT KIT**



- Available in 6"
- Used for a wall-supported chimney system connecting to an Insulated Tee and running vertically up the exterior wall to terminate above the roof line
- Tee is positioned on top of the Adjustable Base Tee Wall Support
- Kit includes:

Insulated Tee & Insulated Tee Cap  
 Smoke Pipe Adapter  
 Adjustable Base Tee Wall Support  
 Universal Wall Band  
 Insulated Wall Thimble  
 Decorative Sleeve  
 Round Top Termination (304 SS)

Size	Product Number	Part Number
6"	0889806	6UP-BTWSK

**SUSPENDED WALL SUPPORT KIT**



- Available in 6"
- Used for a wall-supported chimney system connecting to an Insulated Tee and running vertically up the exterior wall to terminate above the roof line
- Tee can be positioned above or below Wall Support
- Kit includes:

Insulated Tee & Insulated Tee Cap  
 Smoke Pipe Adapter  
 Universal Wall Support  
 Universal Wall Band  
 Insulated Wall Thimble  
 Decorative Sleeve  
 Round Top Termination (304 SS)  
 Hardware Packs

Size	Product Number	Part Number	Pack
6"	0889906	6UP-SWSK	1

**INTERIOR KIT**



- Available in 6"
- Used when the chimney is supported at a flat ceiling, enters an attic space and then out through the roof
- Kit includes:

Round Support with Detached Trim  
 Smoke Pipe Adapter  
 Adjustable Attic Insulated Shield  
 Round Top Termination

Size	Product Number	Part Number	Pack
6"	0889706	6UP-IK	1



## 10" CHIMNEY FOR FACTORY-BUILT FIREPLACES

All the components that you expect and need:

- Anchor Plate
- Lengths: 48", 36", 24", 18", 12", 8"
- 12" Adjustable Length
- Elbows: 15°, 30°  
(45° elbow available in Canada)
- Supports: Wall, Roof
- Shields, Firestops, and Braces
- Ventilated Flashings
- Chimney Cap

### FEATURES

A twist-lock stainless steel coupler system with 1-inch overlap makes installation simple and quick.

1" insulated wall thickness

Laser-welded outer and inner seams create a sleek, smooth, clean look.

Stainless steel inner lining and outer casing provide fast venting of combustion products.

2" safety clearance from combustible materials

### APPROVALS

- Tested and Certified to UL 103 Type HT
- Tested and Certified to CAN/ULC-604

### WARRANTY

Backed by the Duravent Group Limited Lifetime Warranty.



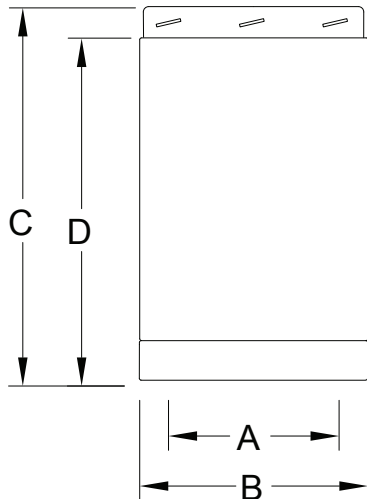
## LENGTHS

### CHIMNEY LENGTHS



- Double-Wall, 1-inch Insulated Chimney
- For use with specific factory-built fireplaces listed with UltimatePlus 10"
- Lengths twist-lock with just a 1/8th rotation
- Chimney is sized according to the inner diameter
- Chimney sections are available in 8", 12", 18", 24", 36", and 48" lengths
- Sectional overlap of 1"

Size	Product Number.	Part Number	A	B	C	D	Pack
			ID	OD	Overall Length	Installed Length	
10"	0881410	10UP-L8	10"	12 3/4"	8"	7"	1
10"	0881210	10UP-L12	10"	12 3/4"	12"	11"	1
10"	0881110	10UP-L18	10"	12 3/4"	18"	17"	1
10"	0881010	10UP-L24	10"	12 3/4"	24"	23"	1
10"	0880310	10UP-L36	10"	12 3/4"	36"	35"	1
10"	0880410	10UP-L48	10"	12 3/4"	48"	47"	1



## LENGTHS CONTINUED

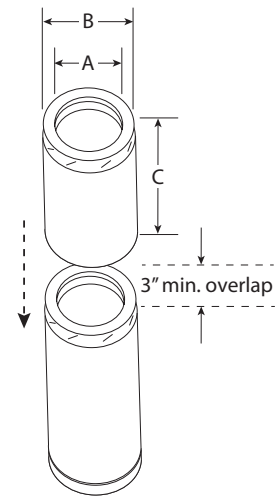
- Used in combination with straight insulated length
- Used to adjust the system to an exact overall length
- Used also between elbows for a required offset distance
- Requires a minimum 3" overlap

Note: A support must be installed within 5 feet

### ADJUSTABLE LENGTHS

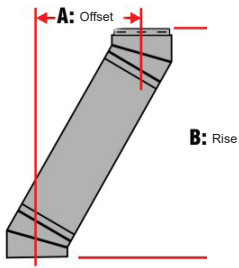


Size	Product Number.	Part Number	A	B	C	D Length Range		Pack
			Inner Wall Dia (OD)	Outer Wall Dia (OD)	Total Length	Min	Max	
10"	0881510	10UP-ALL12	10"	12 3/8"	13 3/8"	2"	9"	1



## ELBOWS

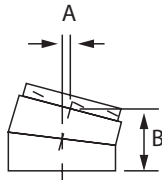
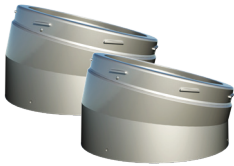
### INSULATED ELBOWS



A maximum of two offsets (4 elbows in all) is allowed per chimney system. The chimney must not be inclined more than 30° from vertical in the USA and 45° in Canada. Offset charts are available to assist in determining your offset and rise.

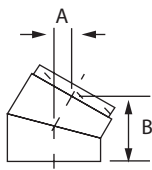
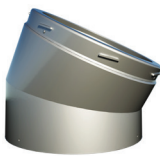
The vertical run of the chimney above an offset must be supported using a Roof Support (RS) or a Wall Support (WS).

- Available in 15°, 30°, and 45° (in Canada only)
- Used in pairs to offset chimney around obstacles such as a joist or truss
- Refer to factory-built fireplace instructions for offset requirements
- Must be supported with a Roof Support or a Wall Support
- Can be rotated to attain optimum positioning offset and secured with supplied screws
- Hardware Pack included



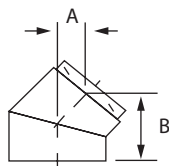
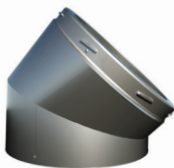
### 15° ELBOW (PAIR) - APPLIES ONLY TO 15°

Size	Product Number.	Part Number	ID	OD	A	B	Pack
10"	0882410	10UP-EL15	10"	12 ¼"	½"	4 ½"	2



### 30° ELBOW

Size	Product Number.	Part Number	ID	OD	A	B	Pack
10"	0882310	10UP-EL30	10"	12 ¼"	2"	7 ½"	1



### 45° ELBOW (CANADA ONLY)

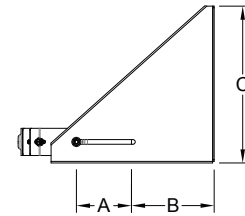
Size	Product Number.	Part Number	ID	OD	A	B	Pack
10"	0882510	10UP-EL45	10"	12 ¼"	3"	6 ⅞"	1

## SUPPORTS

- Designed to support the chimney above an offset
- Also serves as an intermediate support
- Maintains the minimum 2" clearance to wall and provides an additional 2 ¾" in adjustability
- Will support up to 14'
- Support Brackets, Support Band, and Hardware Pack included

Size	Product Number	Part Number	A Min	A Max	B	C	Pack
10"	0872810	10UP-WS	2 ¼"	4 ½"	6"	11 ⅝"	4

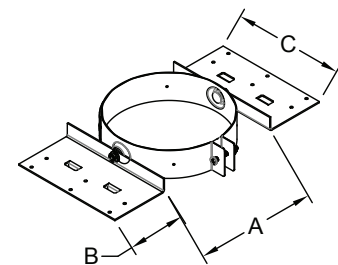
### WALL SUPPORT



- Designed to provide support at the roof and adjusts to any roof pitch and provides support for an offset
- Will support up to 20'
- Support Band, Roof Brackets, and Hardware Pack included

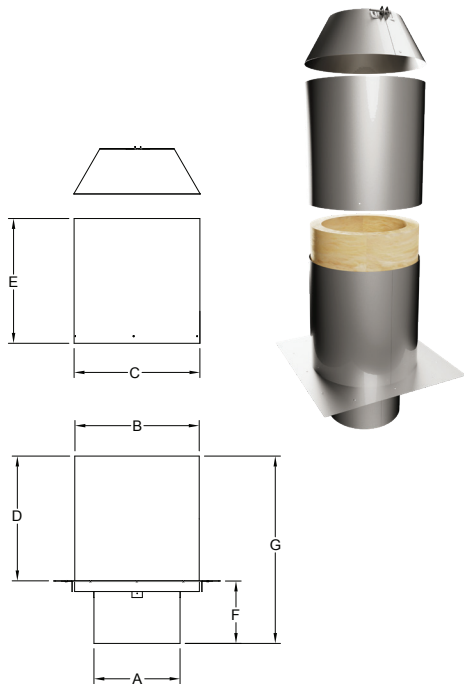
Size	Product Number	Part Number	A Int	B	C	Pack
10"	0860510	10UP-URS	12 ¼"	4 ½"	8"	10

### ROOF SUPPORT



## SHIELDS

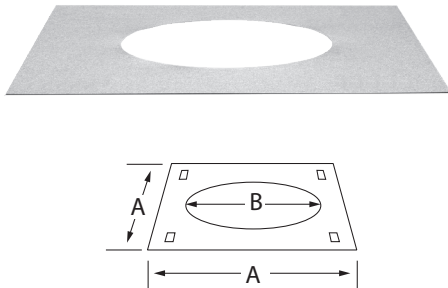
### ADJUSTABLE ATTIC INSULATED SHEILD



- Two-piece overlapping design adjusts from 12" up to 22" height to accommodate deeper levels of insulation
- Factory-insulated and includes both the Base Plate and Collar as shown
- Must be installed where the chimney enters the attic space
- Designed to keep insulation away from the chimney and to maintain the mandatory 2" clearance
- Base Plate size is 18" x 18"

Size	Product Number	Part Number	A Ext.	B Ext.	C Int.	D	E	F	G	Pack
10"	0893410	10UP-AAIS	12 3/8"	16 1/4"	16 5/16"	12"	12"	6"	18"	1

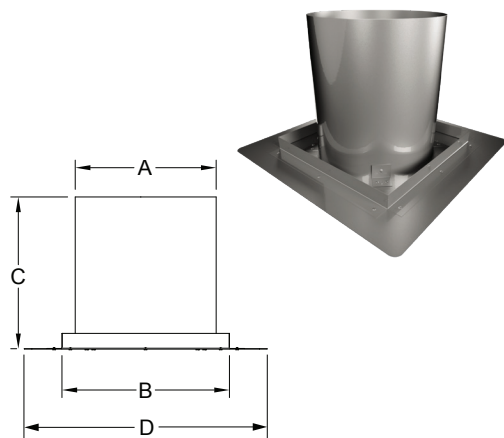
### FIRESTOP



- Used at the ceiling level where the chimney passes through a floor or into an attic space

Size	Product Number	Part Number	A Square Plate	B Bracket	C Hole	Pack
10"	0887910	10UP-FS	18"	16"	12 3/8"	10

### FIRESTOP RADIATION SHIELD



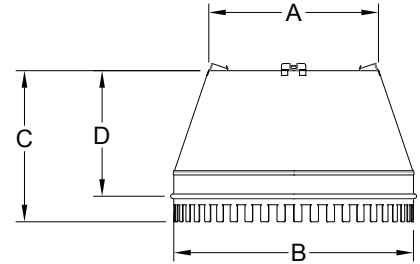
- Can be used as alternative to the standard Firestop
- Includes a radiation shield
- Used at the ceiling level where the chimney passes through a floor or into an attic space

Size	Product Number	Part Number	A	B	C	D	Pack
10"	0879010	10UP-FRS	15"	16"	10"	16"	1

## SHIELDS CONTINUED

- Used where the chimney passes through a custom chase top flashing
- Vented cone with integrated spacers at top to ensure ventilation
- Tested to meet vented flashing requirements
- Bottom tabs easily attach to custom chase flashings
- Storm Collar and Roof Radiation Shields included

### TALL CONE CHASE ADAPTER

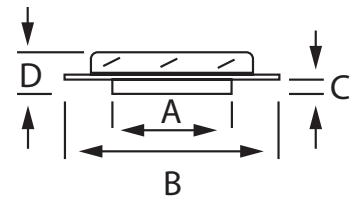


Size	Product Number	Part Number	A Int.	B Ext.	C	D	Pack
10"	0893510	10UP-TCCA	14 ½"	16 ⅛"	8 ⅞"	7 ⅜"	1

## SPECIALIZED COMPONENTS

- Provides a secure attachment for adapting the UltimatePlus chimney to a masonry fireplace
- Can be used with factory-built fireplace certified for use with UltimatePlus
- Hardware Pack included

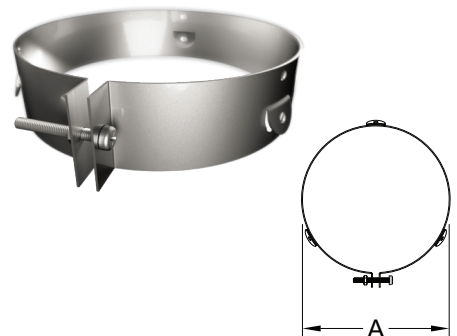
### ANCHOR PLATE



Size	Product Number	Part Number	A	B	C	D	Pack
10"	0879910	10UP-AP	10"	14"	2"	3"	5

- Used to provide added stability to a chimney that protrudes from 5' to 13' above a roof
- Guy Wire Band includes three attaching tabs for securing guy wire (not included)

### GUY WIRE BAND



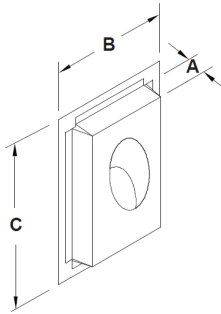
Size	Product Number	Part Number	A Int.	Pack
10"	0861210	10UP-GWB	12 ¼"	10

**SPECIALIZED COMPONENTS CONT'D.**

**INSULATED WALL SHIELDS**



- Available in 30°; 45° (Canada Only)
- Used only with wood-burning fireplaces that have been certified for use with UltimatePlus chimney system
- Designed for use when the chimney passes through a wall at an angle
- Insulated to maintain the thermal envelope of your home - 3" thick



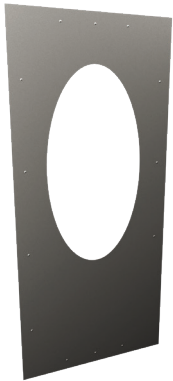
**30° INSULATED WALL SHEILD**

Size	Product Number	Part Number	A	B	C	Pack
10"	088010	10UP-WRIS30	3"	19 3/8"	42 3/4"	1

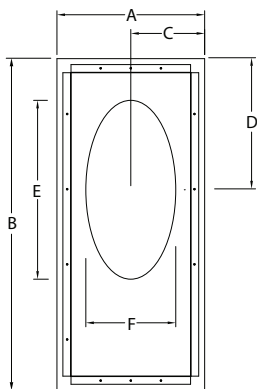
**45° INSULATED WALL SHEILD (CANADA ONLY)**

Size	Product Number	Part Number	A	B	C	Pack
10"	088110	10UP-WRIS45	3"	19 3/8"	30"	1

**ANGLED FIRESTOPS**



- Available in 30°; 45° (Canada only)
- Used only with wood-burning fireplaces that have been certified for use with the UltimatePlus chimney system
- Designed for use where the chimney passes through a wall at an angle



**30° ANGLED FIRESTOP**

Size	Product Number	Part Number	A	B	C	D	E	F	Pack
10"	088210	10UP-AFS30	19 1/2"	43 1/2"	9 3/4"	17 3/8"	24 5/8"	12 3/8"	1

**45° ANGLED FIRESTOP (CANADA ONLY)**

Size	Product Number	Part Number	A	B	C	D	E	F	Pack
10"	088310	10UP-AFS45	19 3/8"	30 1/2"	9 3/4"	12 3/4"	17 3/8"	12 1/4"	1

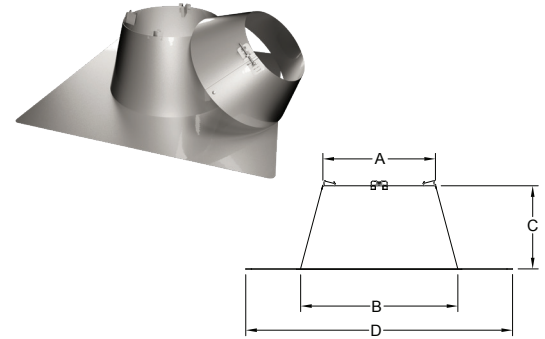


## FLASHINGS

- Used where the chimney passes through a flat roof
  - Vented flashing with integrated spacers ensures ventilation
  - Storm Collar and Roof Radiation Shields included
- Note: Roof Radiation Shields are optional in Canada.

Size	Product Number	Part Number	A	B	C	D	Pack
10"	0893010	10UP-FRF	14 1/2"	16 1/8"	7 1/2"	30"	3

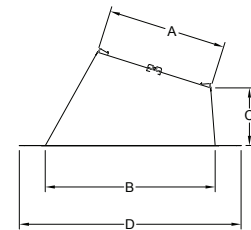
### FLAT ROOF FLASHING



- Used where the chimney passes through a pitched roof
  - Vented flashing with integrated spacers ensures ventilation
  - Available in pitches of 1/12 to 7/12, 8/12 to 12/12, and 12/12 to 21/12
  - Storm Collar and Roof Radiation Shields included
- Note: Roof Radiation Shields are optional in Canada.

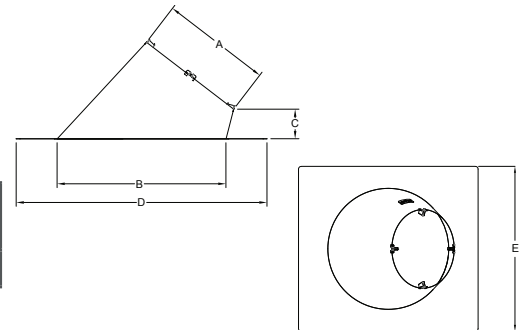
### 1/12 TO 7/12

Size	Pitch	Product Number	Part Number	A Int.	B Int.	C	D	Pack
10"	1/12 to 7/12	0893310	10UP-ARF7	14 1/2"	20"	6"	30"	1



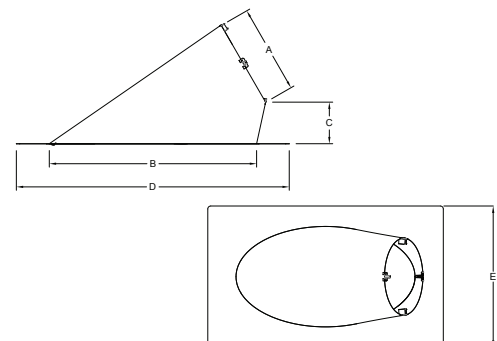
### 8/12 TO 12/12

Size	Pitch	Product Number	Part Number	A Int.	B Int.	C	D	E	Pack
10"	8/12 to 12/12	0893710	10UP-ARF12	14 1/2"	22"	4 1/2"	32 5/8"	30"	3



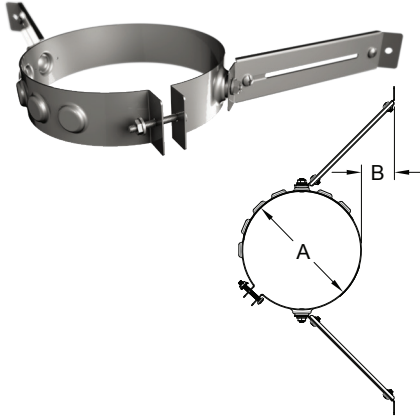
### 12/12 TO 21/12

Size	Pitch	Product Number	Part Number	A Int.	B Int.	C	D	E	Pack
10"	12/12 to 21/12	0893810	10UP-ARF21	14 1/2"	22"	5 7/8"	42"	24"	1



**ACCESSORIES.**

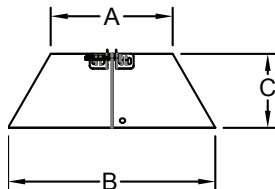
**WALL BAND**



- Used to provide lateral support for the chimney when installed adjacent to a wall
- Sliding Legs provide horizontal adjustability dependent on diameter
- Maintains the minimum 2" clearance to wall
- Required at 8' or closer intervals to stabilize the chimney, whenever it is supported along a vertical wall
- Universal Band, Sliding Legs, and Hardware Pack included.

Size	Standard Option		A Int	Clearance Range		Pack
	Product Number	Part Number		B Min	B Max	
10"	0887810	10UP-WB	12 ¼"	2"	4"	10

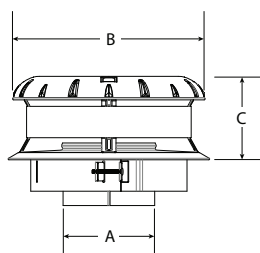
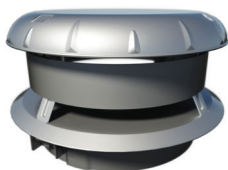
**STORM COLLAR**



- Used in conjunction with roof flashing to weather proof the system
- Storm Collar is included with all Roof Flashings

Size	Product Number	Part Number	A Int.	B Int.	C	Pack
10"	0887410	10UP-SC	12 ¼"	17 ¼"	4 ⅜"	10

**ROUND TOP**



- Used to prevent rain and debris from entering the chimney
- Lower skirt deflects wind for proper chimney draft
- Designed for easy installation and removal for inspection and cleaning
- Unique clamp design holds the Round Top firmly in place

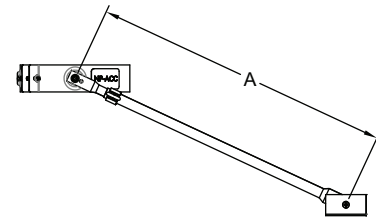
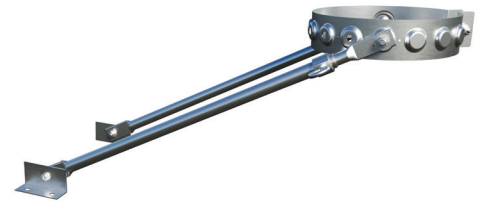
Size	Product Number	Part Number	A	B	C
10"	0887610	10UP-CT	10"	20"	8 ½"

**ACCESSORIES CONT'D.**

- Required to stabilize chimney when 5 feet or more extends above the roof-line. Use one kit every 5 feet.
- Telescoping legs adjust from 5' to 9'
- Hardware Pack included

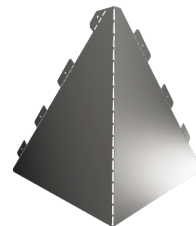
**UNIVERSAL ROOF BRACE KIT**

Size	Product Number	Part Number	A Length Range.		Pack
			Min.	Max.	
10"	0860410	10UP-RBK	60"	108"	10

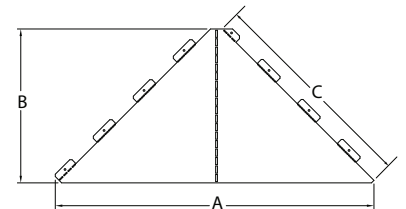


- Designed to deflect snow and ice while preventing unnecessary strain or damage to chimney
- Mounts directly above chimney pipe
- Ships flat and easily assembled on the job site
- Made from heavy-duty 14 gauge galvanized steel

**UNIVERSAL SNOW SPLITTER**



Product Number	Part Number	A Int.	B	C	Pack
0861100	UP-USSA	45.1"	21.8"	31"	1











BUILD FOR THE FUTURE

Customer Service and Support:

Airmate (USA).....	800.992.8368
Airmate (CAN) .....	888.735.5475
Ameriflow .....	800.252.8467
Amerivent (Retail).....	800.252.8467
Amerivent (Hearth & Wholesale) ....	800.423.4270
Amerivent (Support).....	800.748.0392
AMPCO (USA) .....	800.669.3269
AMPCO (CAN).....	888.735.5475
Duravent .....	800.835.4429
Hart & Cooley.....	800.433.6341
Hart & Cooley (Support) .....	800.748.0392
Heatfab (USA).....	800.772.0739
Heatfab (CAN) .....	800.848.2149
Lima.....	800.423.4270
Milcor .....	800.774.5240
Portals Plus.....	800.774.5240
RPS.....	800.624.8642
Security Chimney (USA).....	800.361.4909
Security Chimney (CAN) .....	800.667.3387
Selkirk (USA) Residential.....	800.992.8368
Selkirk (USA) Commercial.....	800.848.2149
Selkirk (USA) Support.....	800.748.0392
Selkirk (CAN) .....	888.735.5475

Manufacturing & Distribution Centers:

CANADA	
Nobel, ON	Manufacturing
Laval, QC	Manufacturing
Prescott, ON	Distribution
USA	
Grand Rapids, MI	Center of Excellence
Dallas, TX	Distribution
Englewood, OH	Distribution
Huntsville, AL	Manufacturing & Distribution
Mira Loma, CA	Distribution
Nampa, ID	Manufacturing & Distribution
Turner Falls, MA	Manufacturing & Distribution
Vacaville, CA	Manufacturing
MEXICO	
Ojinaga, MX	Manufacturing
Mexicali, MX	Manufacturing

Corporate Headquarters:

Duravent Group  
 28 W. Adams, Suite 1810  
 Detroit, MI 48226  
 Tel: 800.835.4429  
 Email: [info@duraventgroup.com](mailto:info@duraventgroup.com)  
[www.duraventgroup.com](http://www.duraventgroup.com)



BUILD FOR THE FUTURE

[www.duraventgroup.com](http://www.duraventgroup.com)



For warranty information:  
Scan this QR code or visit  
[www.duraventgroup.com/warranties](http://www.duraventgroup.com/warranties)