


Model G

Single Wall
Piping System



Model G is a single wall negative, neutral, or positive pressure pre-fabricated piping system intended for use in a variety of applications.

APPLICATIONS

- Fume Venting
- Chimney Liner
- Chutes
- Grease Duct
- Dryer Vents



Model G is listed for grease duct and chimney liner applications

GENERAL USAGE

COMMON INSTALLATION TYPES 3

MODEL G

SINGLE WALL PIPE 4

ADJUSTABLE SINGLE WALL PIPE 4

SINGLE WALL FITTINGS 5

CONNECTION ACCESSORIES 8

JOINT ASSEMBLY PARTS 8

SUPPORT/GUIDE ACCESSORIES 9

ROOF PENETRATIONS 10

TERMINATIONS 10

MODEL G

Model G is a single wall negative, neutral, or positive pressure capable, stainless steel pre-fabricated piping system for use in many applications including: grease duct, fume venting, chimney liner, chutes, particle conveying, etc. Model G is UL Listed for grease duct applications. Factory design assistance and submittals are available for Model G like all other Selkirk Commercial/Industrial products.

CORROSION RESISTANT

Standard Model G is available in type 304 stainless steel in 0.035" minimum thickness for sizes 6" through 36" I.D. and 0.048" minimum thickness for sizes 42" through 48" I.D. The type 316 alloy may also be specified for its corrosion resistance to chemicals. Type 304 or 316 stainless steel is available in 0.048" minimum thickness in all sizes.

COMPONENT PARTS

Model G component parts are available in standard sizes 5" through 48", measured by diameter of the pipe. Parts are identified by individual part names and numbers. Each part name/number carries a diameter prefix size, the letter "G" designating Model G, followed by its individual letter code, material type and length if required. See legend below for part number.

JOINT ASSEMBLY

For all Model G pipe and fittings, the flange-to-flange inner pipe joints are identical for each pipe I.D. Assembly of a typical joint is handled quickly and easily with regular maintenance crews and requires only standard hand tools and a Selkirk® specified sealant.



METHODS OF SUPPORT

For structural support, use the Model PS Plate Support Assembly. Special dimensioned half rings and full rings are also available for guided support.

MODEL G SAMPLE SPECIFICATION FOR SINGLE WALL EXHAUST

The factory-built system shall be designed and installed to be liquid tight and thus prevent leakage of the exhaust into the building. The system shall be designed to compensate for all thermal expansion.

The single wall exhaust shall be of type 304 (or 316) stainless steel. Minimum steel thickness shall be 0.035" (or 0.048").

Pipe joints shall be sealed by use of factory supplied Vee Bands and sealant.

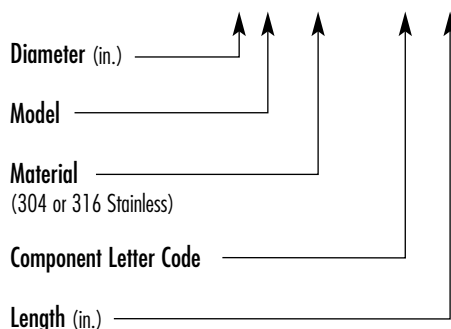
The entire system from outlet to the termination; including accessories, except as noted, shall be from the manufacturer.

The diameter for the exhaust shall be verified by the manufacturers' computations. The computation shall be technically sound, shall follow ASHRAE calculation methods, and incorporate the specific flow characteristics of the pipe.

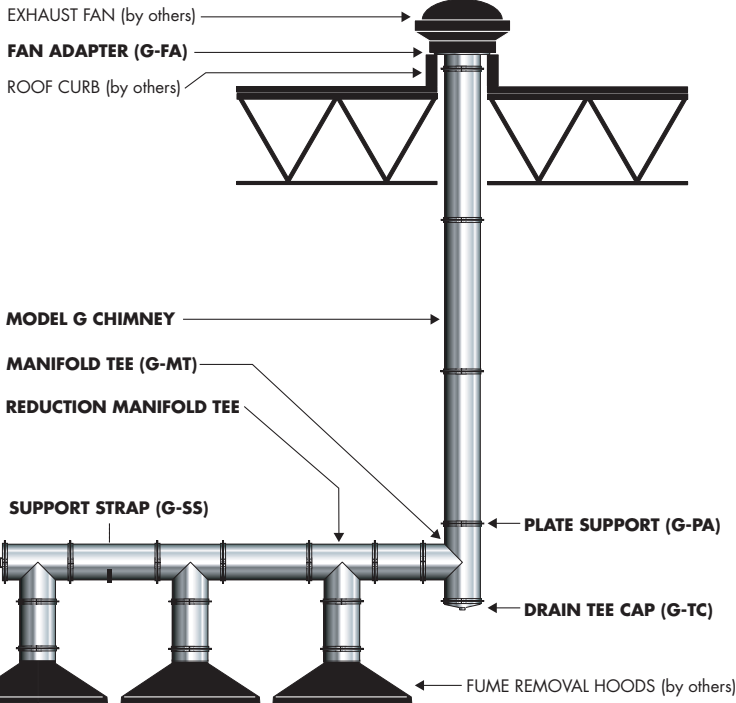
Specification requirements shall be met by using Selkirk® Model G or equivalent as approved by the responsible engineer. Equivalent bids shall specify manufacturer, model number, and other pertinent identification; and attest that the alternate is in compliance with all specification requirements.

Part Number Description:

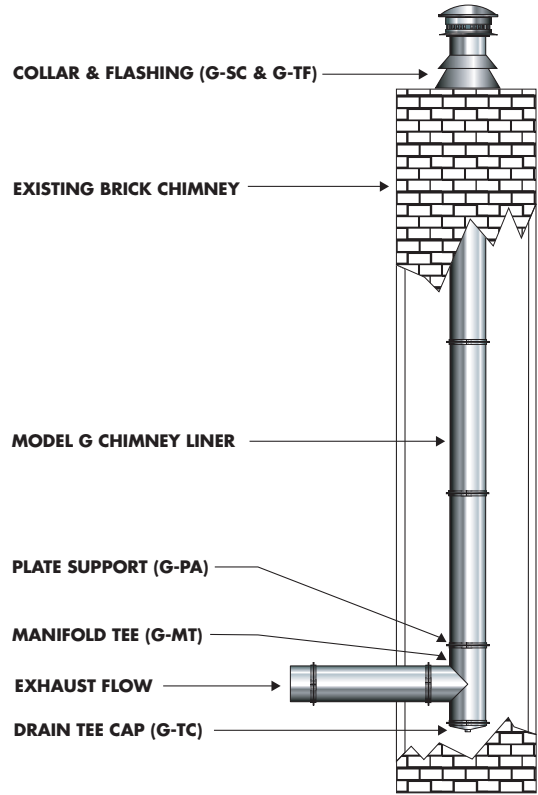
6G304-VL30



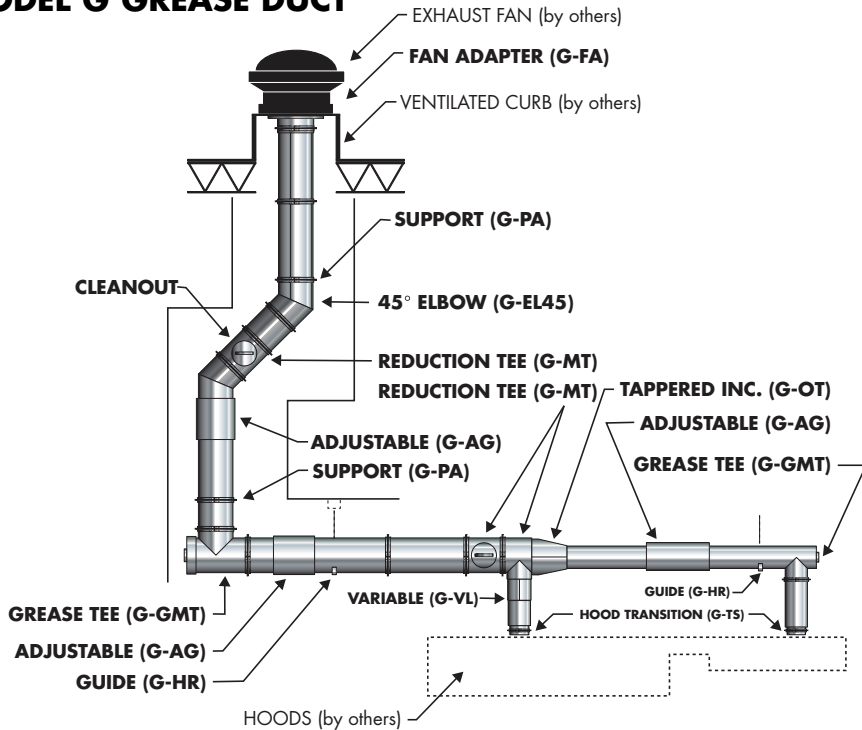
MODEL G FUME VENTING



MODEL G CHIMNEY LINER



MODEL G GREASE DUCT

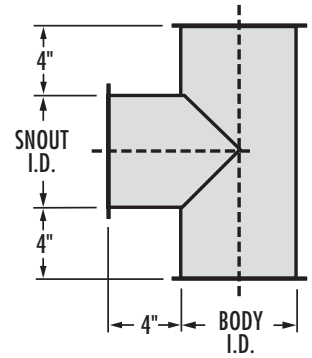


SINGLE WALL FITTINGS

90° TEE CODE: MT

USE: To join horizontal and vertical sections of pipe. The G-MT provides for connection for a drain or inspection fitting.

NOTE: A reduction Manifold Tee is offered.

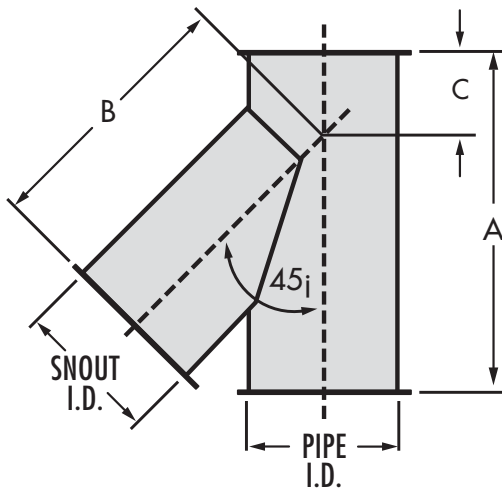


$K = 1.25$ Flow Resistance Factor

45° LATERAL TEE CODE: JL

USE: The G-JL is used to join horizontal and vertical sections of pipe at a 45 degree angle.

NOTE: A reduction G-JL is offered. A, B, and C dimensions would remain the same.



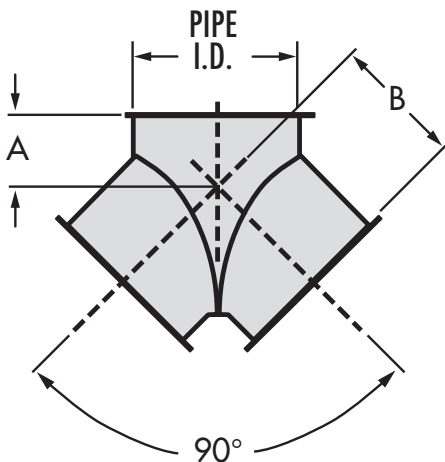
Part No.	Pipe Size I.D.	Dim. A	Dim. B	Dim. C
5G-JL	5"	19½	13¾	5¾
6G-JL	6"	19½	13¾	5¾
8G-JL	8"	22⅞	16⅞	6¼
10G-JL	10"	24 ⅙	19	5 ⅙
12G-JL	12"	26 ⅙	21 ⅙	5 ½
14G-JL	14"	29¾	23⅞	5⅞
16G-JL	16"	32 ⅙	26¼	6 ⅙
18G-JL	18"	35⅞	28¾	6¾
20G-JL	20"	38 ⅙	31 ⅙	7 ⅙
22G-JL	22"	43⅞	35⅞	8
24G-JL	24"	43⅞	35⅞	8
26G-JL	26"	49 ⅙	40¾	8 ⅙
28G-JL	28"	49 ⅙	40¾	8 ⅙
30G-JL	30"	55 ⅙	45 ⅙	9 ⅞
32G-JL	32"	55 ⅙	45 ⅙	9 ⅞
36G-JL	36"	60 ⅙	50 ⅞	10 ⅙
42G-JL	42"	69 ⅙	58¼	11¾
48G-JL	48"	79 ⅙	66⅞	13

$K = 0.4$ Flow Resistance Factor

90° WYE CODE: JY

USE: The G-JY is intended for low pressure drop joining of two appliances.

NOTE: All openings are the same size diameter.



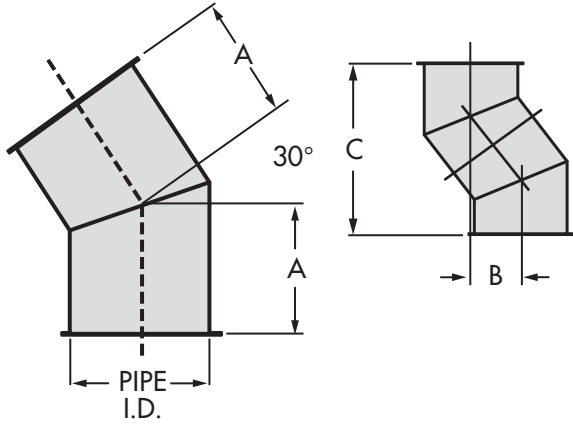
Part No.	Pipe Size I.D.	Dim. A	Dim. B
5G-JY	5"	4⅞	9
6G-JY	6"	4⅞	9
8G-JY	8"	5 ⅙	10
10G-JY	10"	5	11
12G-JY	12"	5 ½	12
14G-JY	14"	5 ⅞	13
16G-JY	16"	6⅞	14
18G-JY	18"	6⅞	15
20G-JY	20"	7 ⅙	17
22G-JY	22"	8	19
24G-JY	24"	8	19
26G-JY	26"	8¾	22
28G-JY	28"	8¾	22
30G-JY	30"	9⅞	24
32G-JY	32"	9⅞	24
36G-JY	36"	10 ½	27
42G-JY	42"	11¾	31
48G-JY	48"	13	34

$K = 0.6$ Flow Resistance Factor

SINGLE WALL FITTINGS

30° FIXED ELBOW CODE: EL30

USE: Designed to change the direction of a breeching 30 degrees in a vertical or horizontal run.



Materials Available:

304	316
-----	-----

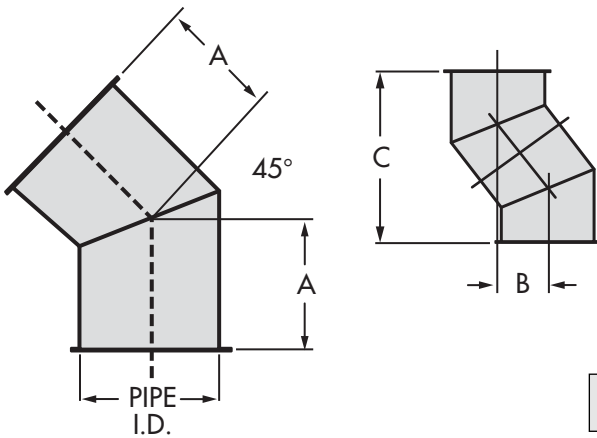
Part No.	Pipe Size I.D.	Dim. A	Dim. B	Dim. C
5G-EL30	5"	6 1/8	6 1/8	22 3/8
6G-EL30	6"	6 1/8	6 1/8	22 7/8
8G-EL30	8"	6 3/8	6 3/8	22 7/8
10G-EL30	10"	6 11/16	6 11/16	24 1/8
12G-EL30	12"	7 5/16	7 5/16	27 1/4
14G-EL30	14"	7 7/8	7 7/8	29 5/8
16G-EL30	16"	8 1/4	8 1/4	30 5/8
18G-EL30	18"	8 5/8	8 5/8	31 5/8
20G-EL30	20"	9 1/8	9 1/8	34 1/8
22G-EL30	22"	9 3/8	9 3/8	35
24G-EL30	24"	10 1/16	10 1/16	37 1/2
26G-EL30	26"	10 5/16	10 5/16	38 1/2
28G-EL30	28"	11	11	40 7/8
30G-EL30	30"	11 1/4	11 1/4	41 7/8
32G-EL30	32"	11 7/8	11 7/8	44 3/8
36G-EL30	36"	12 3/8	12 3/4	47 3/4
42G-EL30	42"	14	14	52 1/2
48G-EL30	48"	14 3/16	14 3/16	56 1/16

K = 0.12 Flow Resistance Factor

45° FIXED ELBOW CODE: EL45

USE: The G-EL45 is used to join horizontal and vertical sections of pipe at a 45 degree angle.

NOTE: A reduction G-JL is offered. A, B, and C dimensions would remain the same.



Materials Available:

304	316
-----	-----

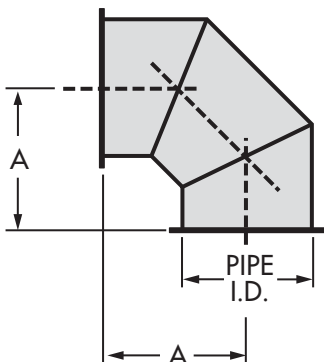
Part No.	Pipe Size I.D.	Dim. A	Dim. B	Dim. C
5G-EL45	5"	8 1/2	12	29
6G-EL45	6"	8 1/2	12	29
8G-EL45	8"	8 15/16	12 5/8	30 7/16
10G-EL45	10"	9 5/16	13 3/16	31 7/8
12G-EL45	12"	10 1/4	14 1/2	35
14G-EL45	14"	10 11/16	15 1/8	36 1/2
16G-EL45	16"	11 3/8	16 7/16	39 5/8
18G-EL45	18"	12 1/16	17 1/16	41 1/8
20G-EL45	20"	13	18 3/8	44 1/4
22G-EL45	22"	13 3/16	18 13/16	45 1/2
24G-EL45	24"	14 5/16	20 1/4	48 7/8
26G-EL45	26"	14 7/8	21 1/16	50 7/8
28G-EL45	28"	15 11/16	22 3/16	53 1/2
30G-EL45	30"	16 1/4	22 15/16	53 3/8
32G-EL45	32"	17	24	58
36G-EL45	36"	18 3/8	25 15/16	62 5/8
42G-EL45	42"	19 11/16	27 7/8	67
48G-EL45	48"	21 1/16	30 3/16	74 7/8

K = 0.15 Flow Resistance Factor

90° FIXED ELBOW CODE: EL90

USE: The G-EL90 is used to join horizontal and vertical sections of pipe at a 90 degree angle.

NOTE: All openings are the same size diameter.



Materials Available:

304	316
-----	-----

Part No.	Pipe Size I.D.	Dim. A
5G-EZ90	5"	11 1/2
6G-EL90	6"	11 1/2
8G-EL90	8"	12 1/2
10G-EL90	10"	13 1/2
12G-EL90	12"	14 1/2
14G-EL90	14"	15 1/2
16G-EL90	16"	16 1/2
18G-EL90	18"	17 1/2
20G-EL90	20"	18 1/2
22G-EL90	22"	19 1/2
24G-EL90	24"	20 1/2
26G-EL90	26"	21 1/2
28G-EL90	28"	22 1/2
30G-EL90	30"	23 1/2
32G-EL90	32"	24 1/2
36G-EL90	36"	26 1/2
42G-EL90	42"	29 1/2
48G-EL90	48"	32 1/2

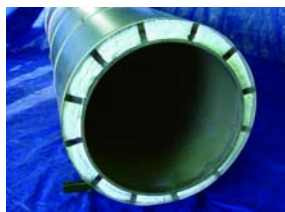
K = 0.30 Flow Resistance Factor

The Clear Choice *IN GREASE DUCTS*



ZeroClear™

Comparison of ZeroClear™ and wrapped, welded steel after 2000°F (simulated grease fire) for 30 minutes.



ZeroClear™ is the most innovative factory-built kitchen grease duct in the industry. With a zero clearance rating, our integrated chase construction sets the standard for design.

ADVANTAGES

- 3" Wall Thickness
- High-Temperature Blanket Insulation
- 5" to 36" I.D. Diameters
- Smaller Footprint
- Lighter Weight
- 2-Hour Fire Rating



GET THE SELKIRK ADVANTAGE

Models PS and IPS are manufactured by Selkirk Corporation a leading manufacturer of chimney, venting and air distribution products for the commercial and residential HVAC industries for more than 80 years. Selkirk manufactures products in the United States, Canada and Mexico. For more information, visit the our web site at www.selkirkcorp.com