

# Selkirk Chimney Systems (US Only - See separate instructions for Canada)

## S-4 Installation Instructions Covering - Roof Support Package & Anchor Plate



Read Sheet GS for important clearance and safety precautions before installing any of the parts described by this Sheet. Sheet GS is packaged with Supports.

**⚠ WARNING**

Failure to follow the installation instructions could cause **FIRE, CARBON MONOXIDE POISONING, OR DEATH**. If you are unsure of installation requirements, call the Phone Number listed on the instructions or visit [www.selkirkcorp.com](http://www.selkirkcorp.com)

### ROOF SUPPORT PACKAGE (PART NO. RSP)

The Roof Support Package is an ideal assembly for freestanding fireplaces and open cathedral ceiling installations. It fits all roof pitches and requires only simple framing. The package contains one 18" length of pipe with thimble plates, two roof brackets and necessary hardware. Maximum length of chimney which can be suspended below is 20 feet. Maximum total chimney length is 30 feet.

Follow these simple steps for a roof supported chimney installation:

1. Cut an opening in the roof and frame all around the opening to distribute weight load (Fig. 1). Be sure to allow for a 2" minimum clearance (Figs. 1 AND 2).
2. Center assembly in the opening. Adjust plates to the roof pitch and tighten nuts (Fig. 2).
3. Install six screws per roof plate with the innermost screws going into rafters or headers (Fig. 1).
4. Twist lock (connect) additional lengths of chimney pipe to top of assembly as necessary to obtain the required minimum chimney height above roof. Chimney outlet should be at least 2 feet higher than any adjacent structure within 10 feet).
5. Install a Flashing, suitable for the roof pitch, by sliding it down over the top chimney section and nailing to roof through sides and top flanges. Do not nail the lower portion of the flashing flange. Use nails with a neoprene washer or cover nails with mastic. (See Installation Sheet S-3.)

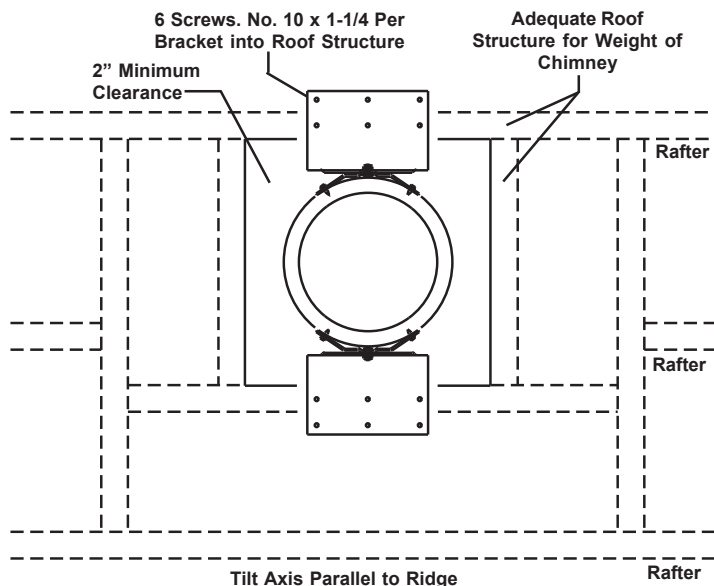


FIG. 1  
ROOF SUPPORT FRAMING

### IMPORTANT

Chimney Sizes 5", 6", 7" and 8" are Type HT.

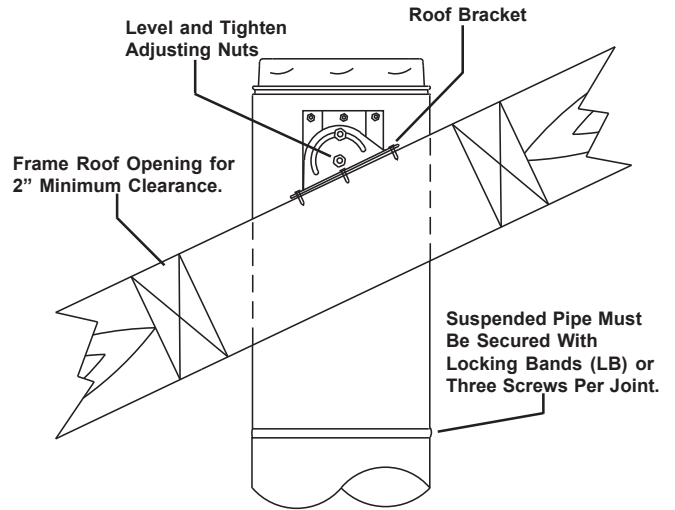


FIG. 2  
ROOF SUPPORT POSITION ON SLOPED ROOF

6. Finish roofing around chimney, covering the side and upper areas of flashing flange. Be sure lower unnailed portion of flange covers roofing.
7. Place Storm Collar (SC) down over chimney until it touches flashing and fasten. Apply silicone sealant between pipe and collar.
8. Connect additional pipe lengths to bottom of pipe assembly, not to exceed 20 feet. Entire chimney should be secured at every joint with a Locking Band (LB) or screws.
9. The opening into a pitched ceiling or roof may be trimmed using a Pitched Ceiling Plate (PCP).

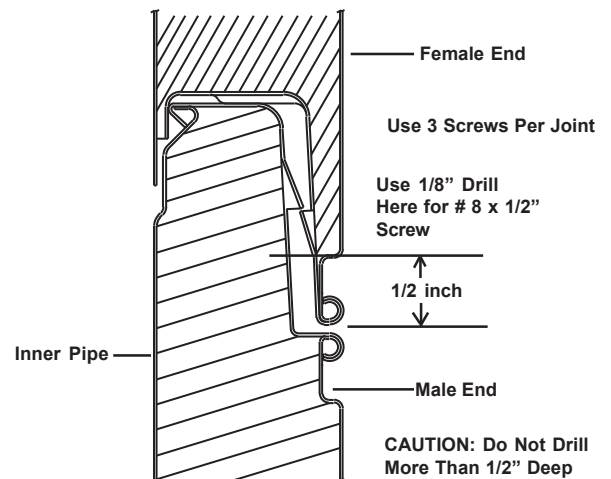


FIG. 3  
DRILLING DIAGRAM

## SINGLE WALL CONNECTORS

For roof supported chimneys systems (A-frames, beamed ceilings, etc.) observe caution with regard to single wall connector clearances. Single wall pipe must never be fully enclosed or pass through combustible framing/structures such as walls, ceilings or roofs. (Fig. 4).

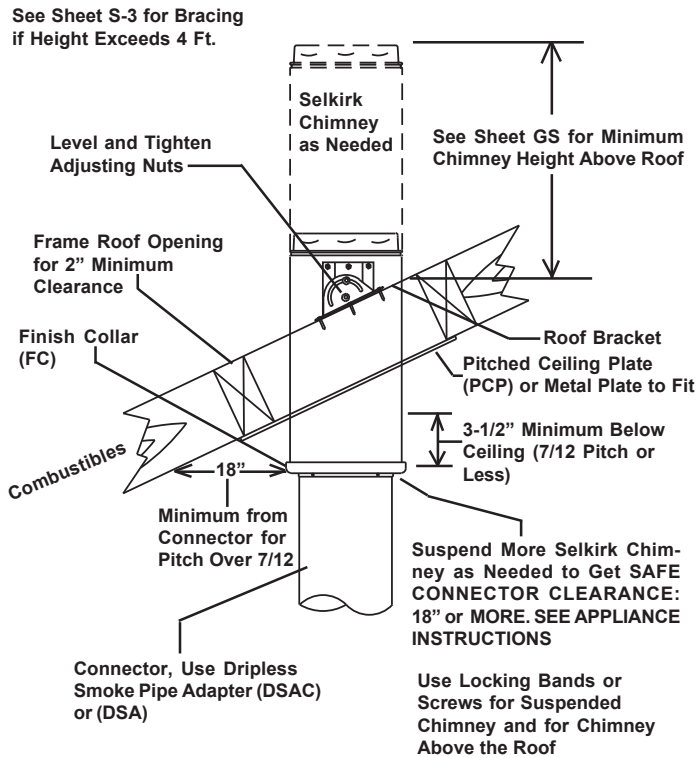


FIG. 4  
REQUIRED CLEARANCES FOR ROOF SUPPORT

## ANCHOR PLATE (PART NO. AP)

The Anchor Plate provides a connection from a masonry fireplace to a Selkirk Chimney. The following steps describe installation of this part.

1. Using the anchor plate as a template, centered over the outlet opening, drill and anchor four 1/4" diameter bolts 2" long securely into the top of the masonry fireplace. See Figure 5.
2. Apply a bed of mortar approximately 3/4" in depth and 3" in width completely around the fireplace opening. Make sure the threaded ends of the bolts protrude a minimum of 1" above the bed of mortar.
3. While the mortar is still damp, place and level the Anchor Plate over the extended studs. Secure, using a washer and nut for each bolt.
4. Check the plate for level and allow mortar to set.
5. Place a section of chimney onto the Anchor Plate and secure to Anchor Plate with a 1/8 clockwise turn. Up to 85' of chimney may be stacked on the Anchor Plate.

NOTE: SEE SHEET P FOR CHIMNEY SIZING CHART FOR FIREPLACES.

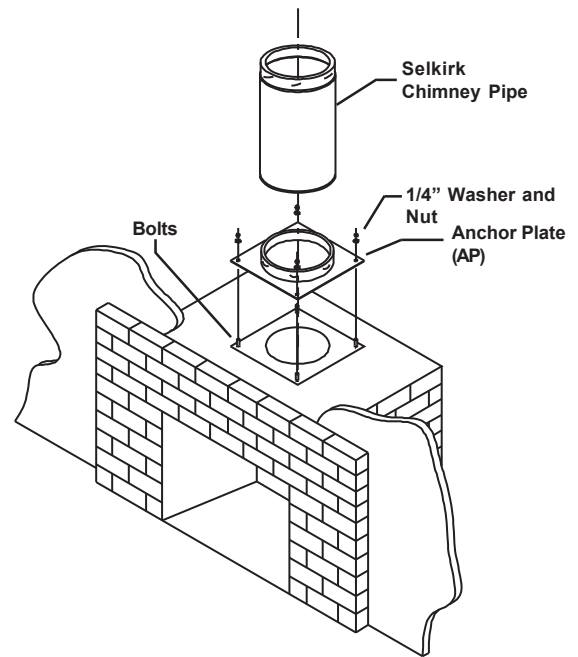


FIG. 5  
ANCHOR PLATE INSTALLATION IN MASONRY FIREPLACE

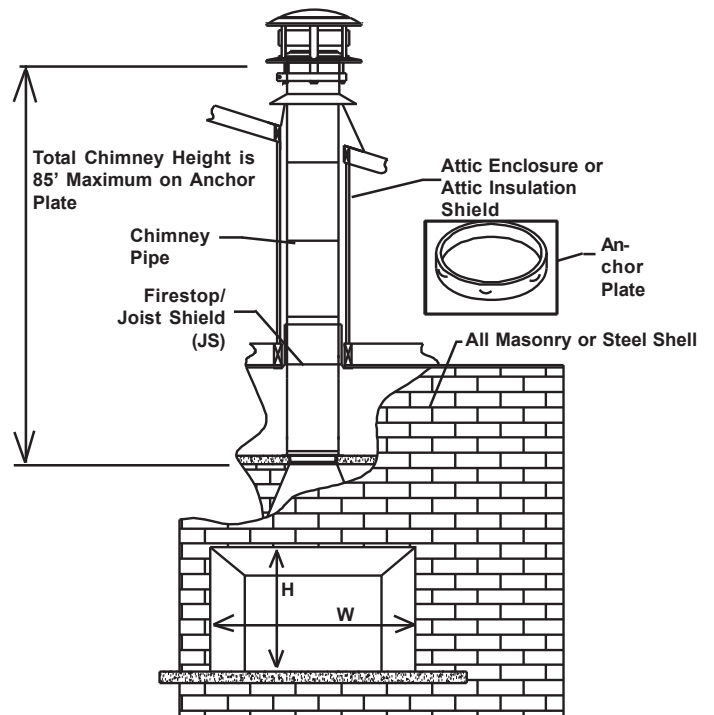


FIG. 6  
ANCHOR PLATE SUPPORT FOR MASONRY FIREPLACE