

DIRECT-TEMP® SELKIRK DIRECT VENT SYSTEM

Supplemental Assembly Instructions

VINYL SIDING STANDOFF - SIDING PREVIOUSLY INSTALLED

Selkirk DIRECT-TEMP is designed to be the vent and air intake system for an approved list of direct vent appliances.

Selkirk DIRECT-TEMP materials, design, and these instructions have been evaluated and listed by Underwriters Laboratory Inc.

Contact local building or fire officials about restrictions and installation inspections in your area, and obtaining building permits.

Do not install Selkirk DIRECT-TEMP without first carefully reading the **main instructions** and the appliance manufacturer's instructions. If you still have any doubt about your ability to complete the installation in a safe manner after reading these instructions, arrange for a professional installation.

The appliance must be listed for use with Selkirk DIRECT-TEMP. Refer to the appliance manufacturer's label and installation instructions to make sure that the Selkirk's DIRECT-TEMP system is approved for use with your specific appliance.

Selkirk DIRECT-TEMP is for use only with appliances that are certified or listed by a major qualified testing agency, such as AGA, CSA, OMNI, UL, or Warnock Hersey.

VINYL SIDING STANDOFF - SIDING INSTALLED

Selkirk DIRECT-TEMP Vinyl Siding Standoff provides protection for your vinyl siding when you are installing the Round or Square Horizontal Termination Cap without fear of warping or melting the siding.

Contains:

- 4 - Siding Standoff Brackets;
- 1 - Hardware Pack (12 sheet metal screws);
- 1 - Supplemental Instruction Sheet

How to Install:

1. Assemble the 4 siding standoff brackets (see Fig. 1) together with the supplied sheet metal screws, 2 per corners (Figs 1&2).

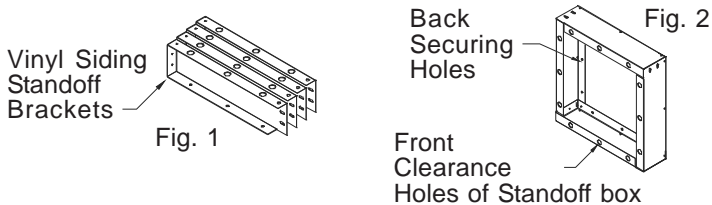
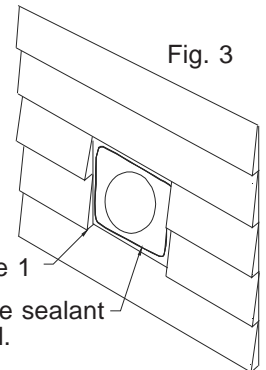


TABLE 1 - EXTERIOR WALL OPENING	
HORIZONTAL TERMINATION	VINYL SIDING EXTERIOR OPENING
4" SQUARE TERMINATION	13-5/16" X 13-5/16"
4" ROUND TERMINATION	12-1/4" X 12-1/4"
5" SQUARE TERMINATION	15-13/16" X 15-13/16"
5" ROUND TERMINATION	14-1/8" X 17-1/8"

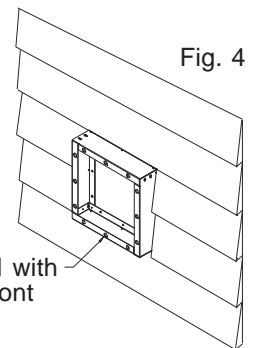
2. Cut an opening in the siding wall to accept the Vinyl Siding Standoff (see Table 1), leaving spacing for the head of the screws. Apply a bead of silicone sealant to the wall prior to securing the Siding Standoff Box to the wall (Fig. 3).



Cut Exterior of Wall as Required in Table 1

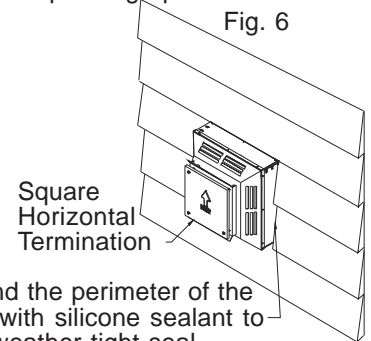
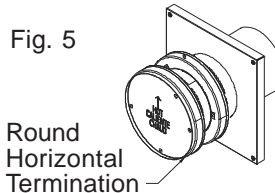
Add a bead of silicone sealant to ensure a tight seal.

3. Secure the assembled Vinyl Siding Standoff on the wall with suitable fasteners through the front clearance holes (Fig. 4).



Secure the assembly in the wall with suitable fasteners through the front clearance holes

4. Position the Square or Round Horizontal Termination Cap over the Vinyl Siding Standoff (Figs. 5 or 6). Secure in place with 4 sheet metal screws through the 4 holes provided on the face plate of the Horizontal Termination to the back securing holes. Make sure the arrow on the Termination is pointing up.



Seal around the perimeter of the Stand Off with silicone sealant to ensure a weather tight seal

5. Continue your installation by following the main DIRECT-TEMP installation instructions.



Selkirk Corporation

5030 Corporate Exchange Blvd. SE

Grand Rapids, MI 49512

Toll Free: 1.800.VENT (8368)

info@selkirkcorp.com

www.selkirkcorp.com

Selkirk Canada

P. O. Box 526, Depot 1

Hamilton, ON L8L 7X6

Toll Free: 1.888.SELKIRK (735.5475)

cscanada@selkirkcorp.com